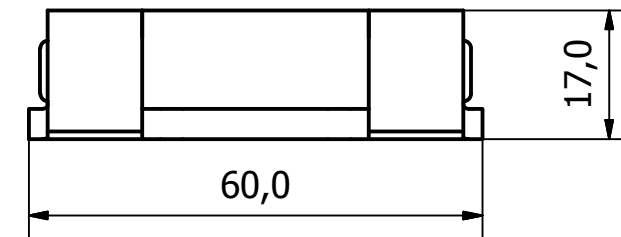
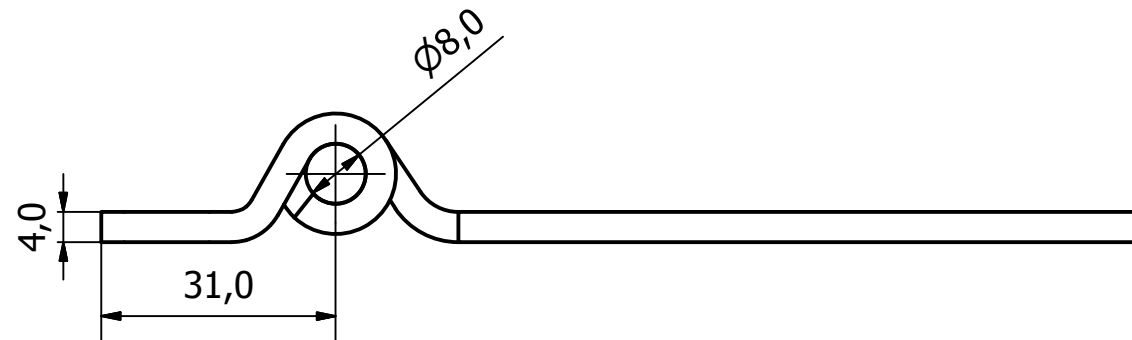
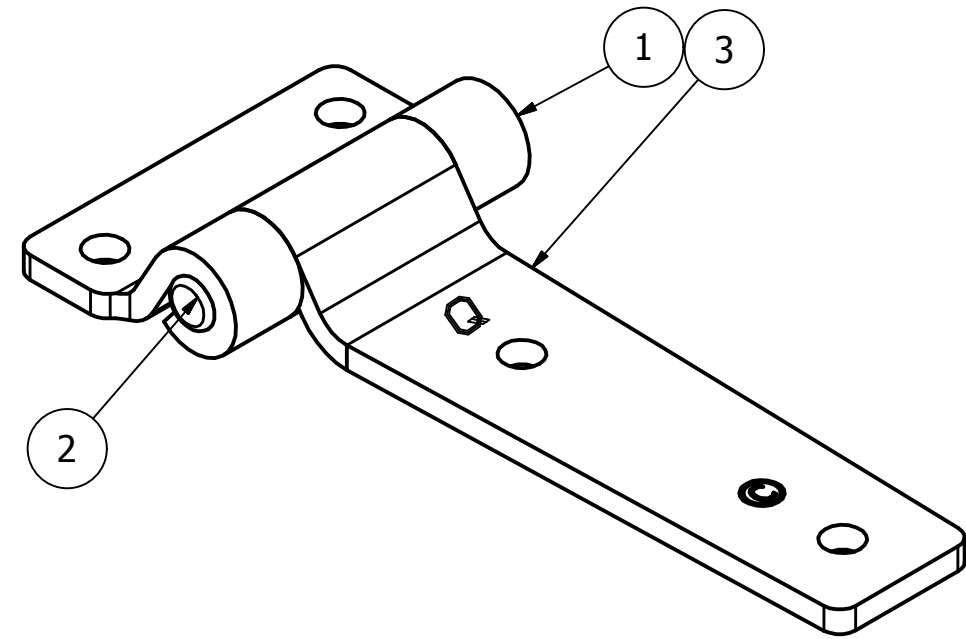
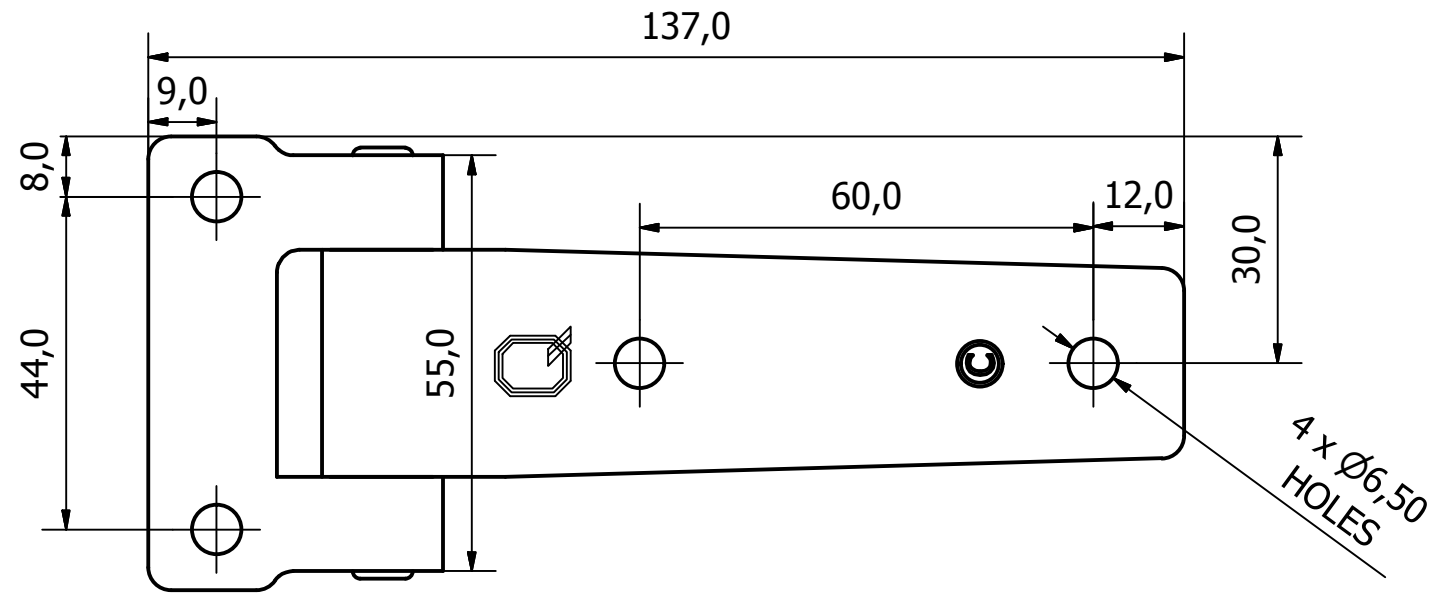


PARTS LIST			
ITEM	QTY	PART NUMBER	DESCRIPTION
1	1	9820-1062-1	HINGE BASE PLATE
2	1	9820-1061-2	HINGE PIN
3	1	9820-1062-2	HINGE MAIN PLATE



GENERAL TOLERANCES ON LENGTHS
0.5 - 6 ± 0.1mm
6 - 30 ± 0.2mm
30 - 120 ± 0.3mm
120 - 400 ± 0.5mm
400 - 1000 ± 0.8mm
1000 - 1200 ± 1.2mm
2000 - 4000 ± 2.0mm

ALBERT JAGGER LTD  
 GREEN LANE  
 WALSALL PHONE: 01922 471000  
 WEST MIDLANDS FAX: 01922 648021  
 WS2 8HG

THIS DRAWING & THE DESIGN SHOWN ARE THE PROPERTY OF ALBERT JAGGER LTD AND MUST NOT BE USED OR COPIED BY A THIRD PARTY WITHOUT PERMISSION

DRAWN BY  
 U.F

CHECKED BY  
 A.P

THIRD ANGLE PROJECTION

SCALE  
 1 : 1

MATERIAL  
 -

MASS  
 0.210 kg

FINISH  
 Z/C PASSIVATE

Date  
 19/09/2016

ALL DIMS IN MM UNLESS STATED DO NOT SCALE

A3

REV	DESCRIPTION	DATE	APPROVED
1	VALIDATION COMPLETE	25/10/16	A.P

PRESSED SS HINGE - 8MM PIN Z/C PASS

9820-1062

Edition	Sheet
1	1 / 1