

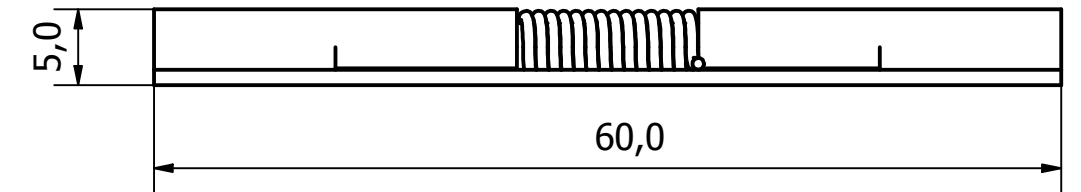
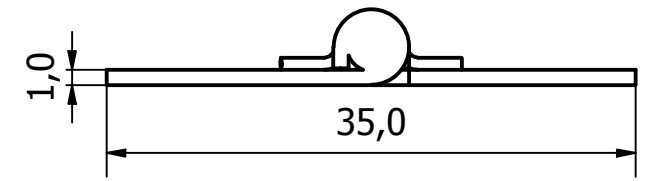
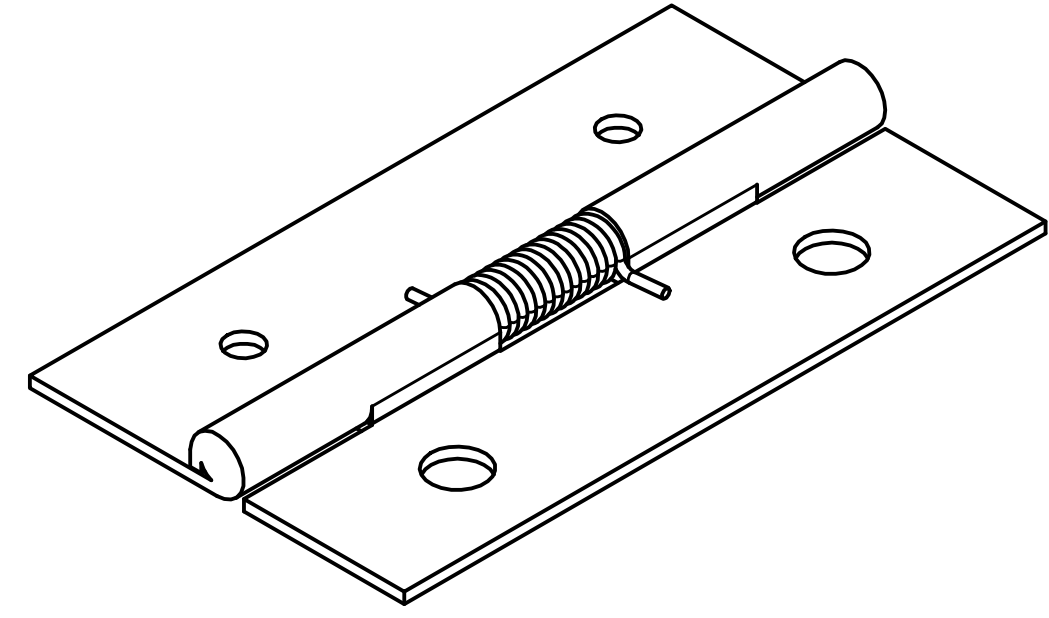
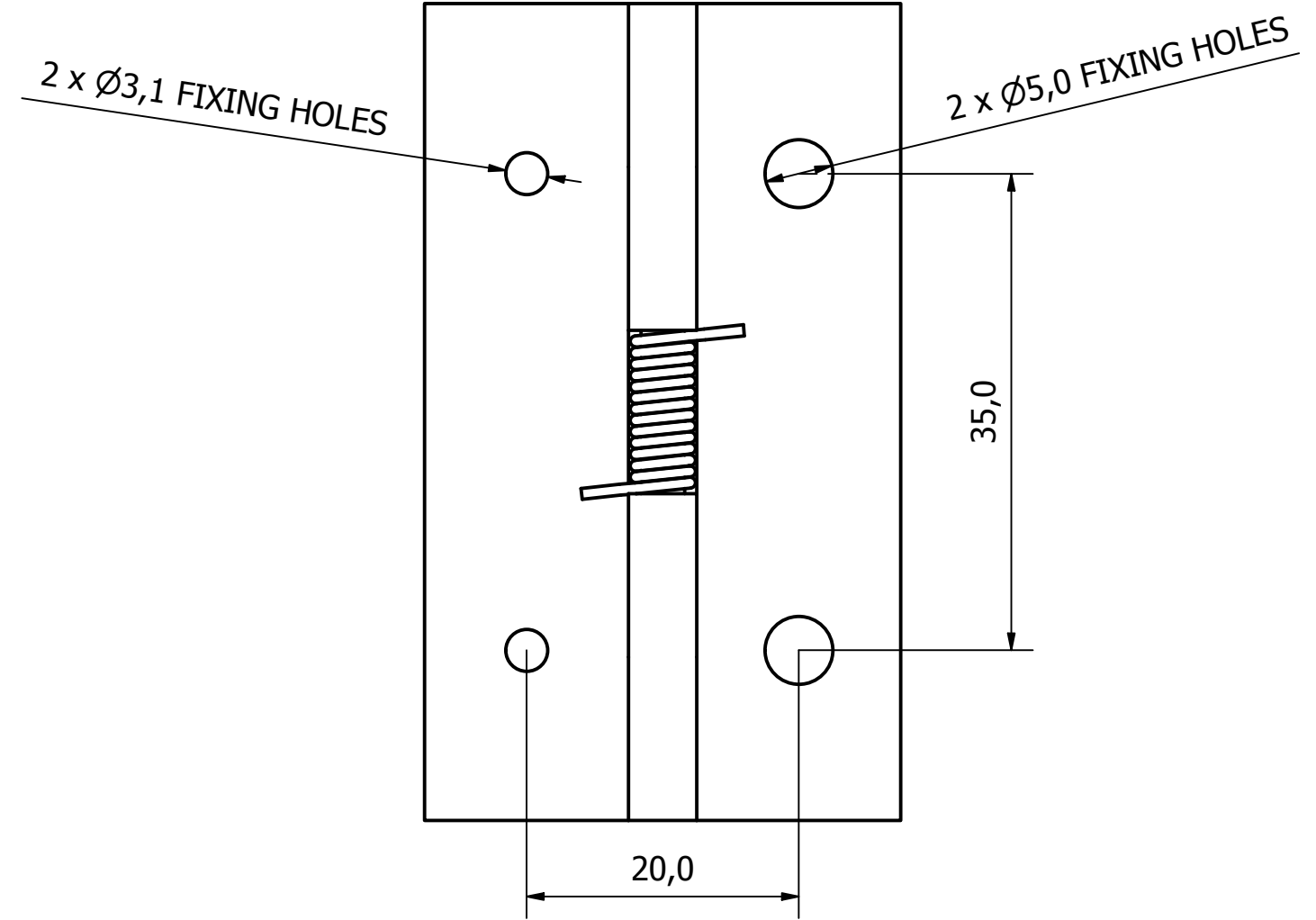
6 1 5 1 4 3 1 2 1 1

D

C

B

A



NOTE:
270° OPENING, 0.11Nm SPRING OPENING TORQUE

GENERAL TOLERANCES ON LENGTHS	
0.5 - 6	$\pm 0.1\text{mm}$
6 - 30	$\pm 0.2\text{mm}$
30 - 120	$\pm 0.3\text{mm}$
120 - 400	$\pm 0.5\text{mm}$
400 - 1000	$\pm 0.8\text{mm}$
1000 - 2000	$\pm 1.2\text{mm}$
2000 - 4000	$\pm 2.0\text{mm}$

ALBERT JAGGER LTD
GREEN LANE
WALSALL PHONE: 01922 471000
WEST MIDLANDS FAX: 01922 648021
WS2 8HG

THIS DRAWING & THE DESIGN SHOWN ARE THE PROPERTY OF ALBERT JAGGER LTD AND MUST NOT BE USED OR COPIED BY A THIRD PARTY WITHOUT PERMISSION

DRAWN BY
A.S

CHECKED BY
A.P



SCALE
2 : 1

MATERIAL
S/STEEL-T430

MASS
0.023 kg

FINISH
NATURAL

Date
28/11/2018

ALL DIMS IN MM UNLESS STATED DO NOT SCALE

A3

1	VALIDATION COMPLETE	08/01/19	A.P
REV	DESCRIPTION	DATE	APPROVED
OPEN SPRING HINGE 60mm x 35mm		Edition 1	Sheet 1 / 1
0486-7113560			

6 1 5 1 4 3 1 2 1 1