

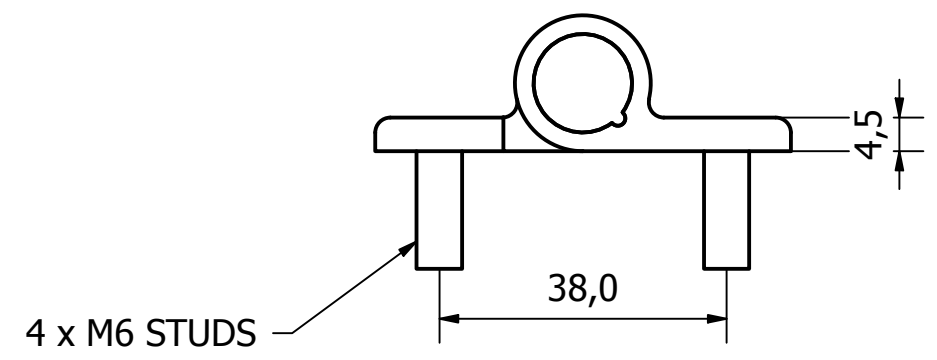
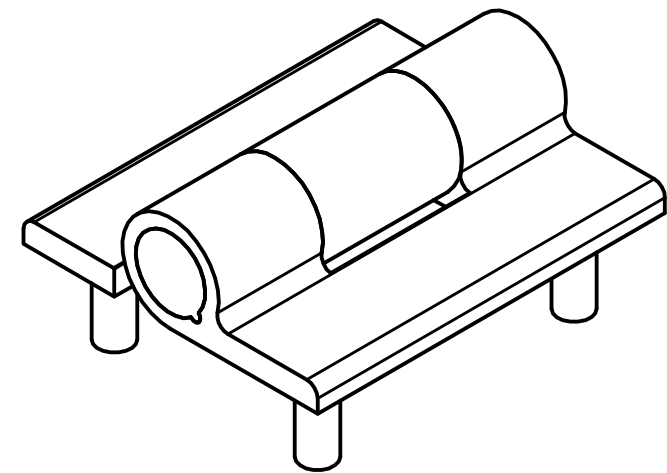
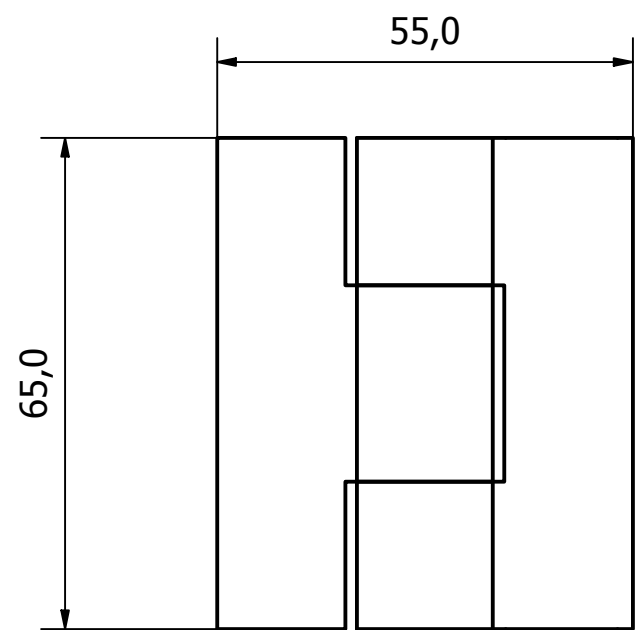
6 5 4 3 2 1

D D

C C

B B

A A



NOTE:  
ADJUSTABLE TORQUE: 0-5Nm

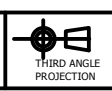
| GENERAL TOLERANCES ON LENGTHS |         |
|-------------------------------|---------|
| 0.5 - 6                       | ± 0.1mm |
| 6 - 30                        | ± 0.2mm |
| 30 - 120                      | ± 0.3mm |
| 120 - 400                     | ± 0.5mm |
| 400 - 1000                    | ± 0.8mm |
| 1000 - 2000                   | ± 1.2mm |
| 2000 - 4000                   | ± 2.0mm |

ALBERT JAGGER LTD  
GREEN LANE  
WALSALL PHONE: 01922 471000  
WEST MIDLANDS FAX: 01922 648021  
WS2 8HG

THIS DRAWING & THE DESIGN SHOWN ARE THE PROPERTY OF ALBERT JAGGER LTD AND MUST NOT BE USED OR COPIED BY A THIRD PARTY WITHOUT PERMISSION

DRAWN BY  
A.S

CHECKED BY  
A.P



SCALE  
1 : 1

MATERIAL  
6060 ALUMINIUM

MASS  
0.079 kg

FINISH  
CLEAR ANODIZED

Date  
23/11/2018

ALL DIMS IN MM UNLESS STATED DO NOT SCALE

A3



ALUMINIUM FRICTION HINGE WITH M6 STUDS 55mm x 65mm

0486-7214147

Edition  
1

Sheet  
1 / 1

| REV | DESCRIPTION         | DATE     | APPROVED |
|-----|---------------------|----------|----------|
| 1   | VALIDATION COMPLETE | 04/01/19 | A.P      |