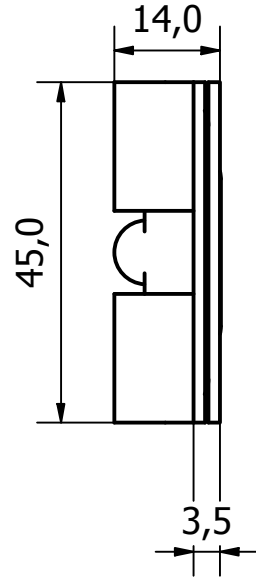
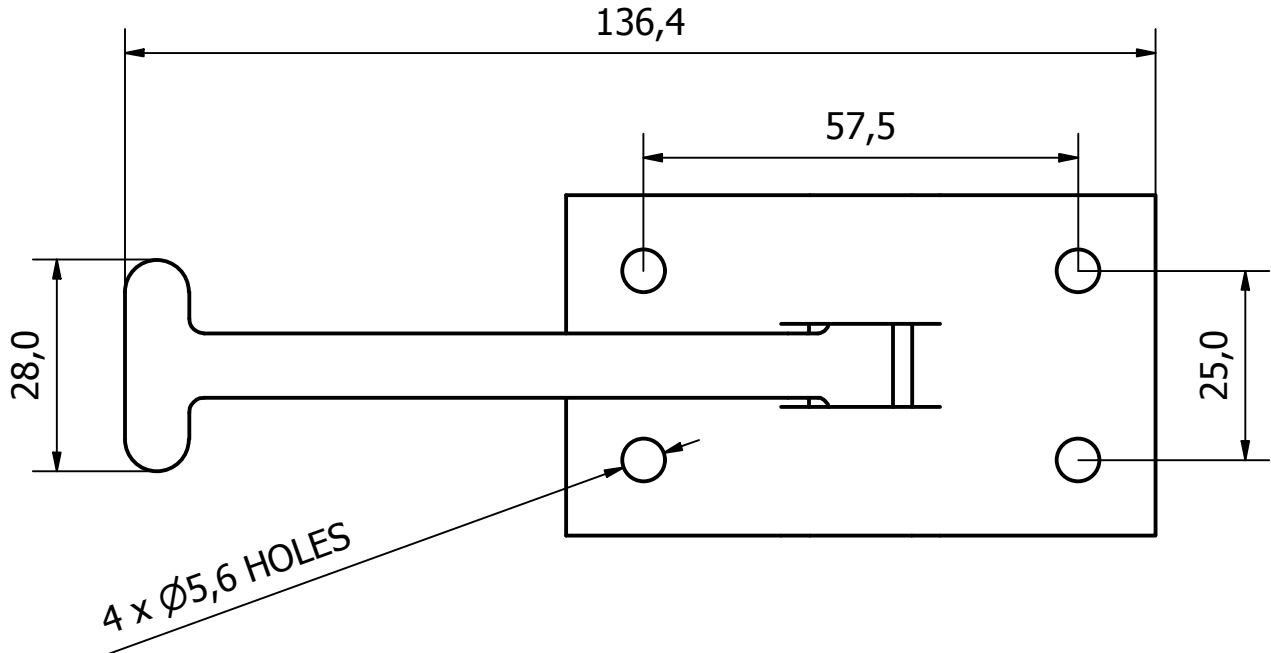
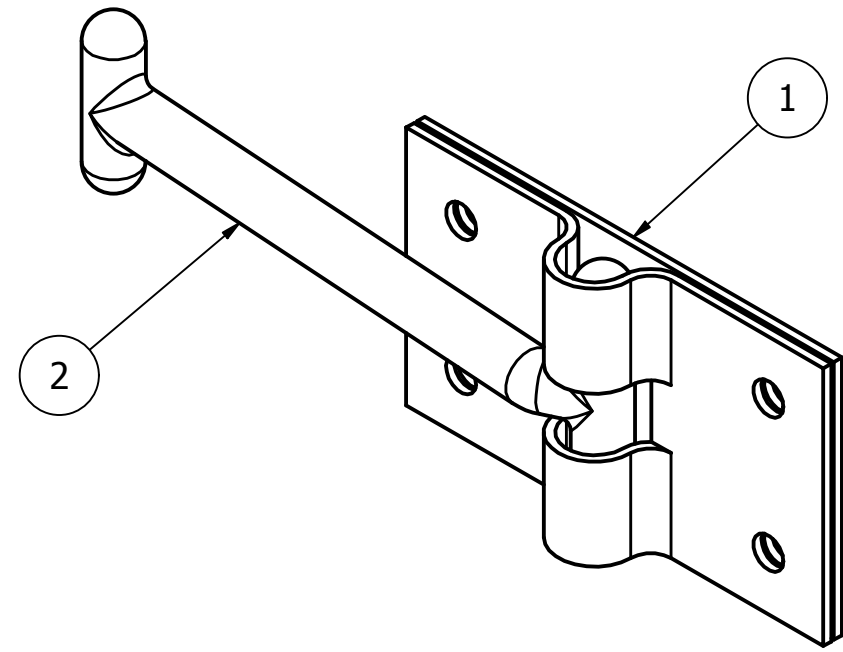
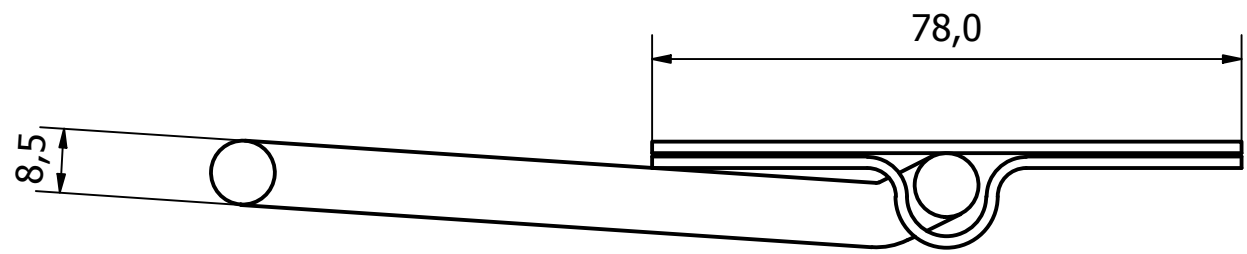


PARTS LIST			
ITEM	QTY	PART NUMBER	DESCRIPTION
1	1	0550-001-1	M/STEEL BASE PLATE
2	1	0550-001-2	IRON T-BBAR



NOTE:

FOR USE WITH 0553-001 & AMP; 0554-001 CATCH PLATES

GENERAL TOLERANCES ON LENGTHS
0.5 - 6 ± 0.1mm
6 - 30 ± 0.2mm
30 - 120 ± 0.3mm
120 - 400 ± 0.5mm
400 - 1000 ± 0.8mm
1000 - 2000 ± 1.2mm
2000 - 4000 ± 2.0mm

ALBERT JAGGER LTD
 GREEN LANE
 WALSALL PHONE: 01922 471000
 WEST MIDLANDS FAX: 01922 648021
 WS2 8HG

THIS DRAWING & THE DESIGN SHOWN ARE THE PROPERTY OF ALBERT JAGGER LTD AND MUST NOT BE USED OR COPIED BY A THIRD PARTY WITHOUT PERMISSION

DRAWN BY
A.S

1	VALIDATION COMPLETE	15/02/19	A.P
REV	DESCRIPTION	DATE	APPROVED
CHECKED BY A.P	SCALE 1 : 1	MATERIAL SEE TABLE	MASS 0.151 kg
THIRD ANGLE PROJECTION	FINISH Z/C PASSIVATE	Date 09/01/2019	ALL DIMS IN MM UNLESS STATED DO NOT SCALE



T-BAR DOOR RETAINER - ZINC PLATED

0550-001	Edition 1	Sheet 1 / 1
----------	--------------	----------------