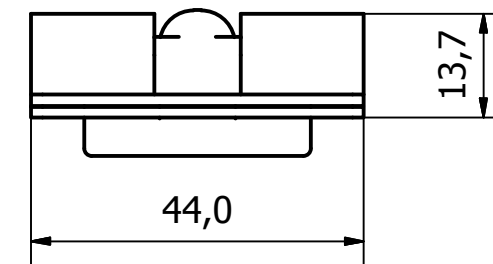
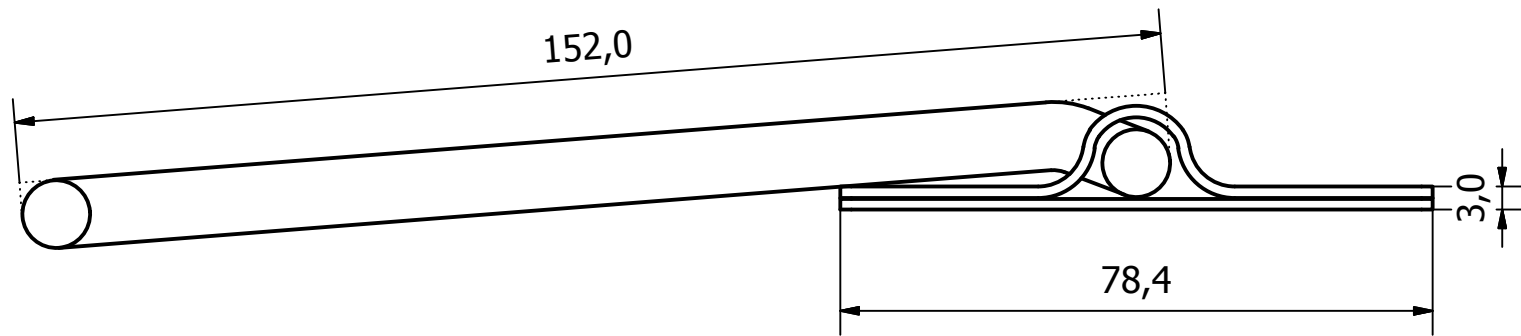
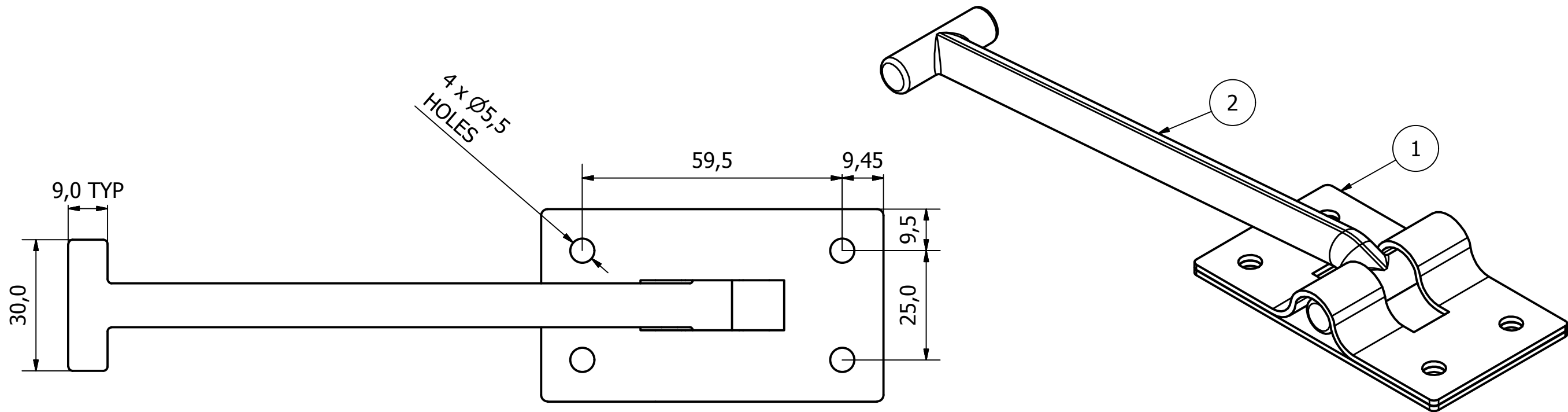


PARTS LIST			
ITEM	QTY	PART NUMBER	DESCRIPTION
1	1	0553-001-1	PRESSED STEEL BACK PLATE
2	1	0553-001-2	MALLEABLE IRON RETAINER HOOK



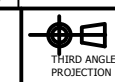
GENERAL TOLERANCES ON LENGTHS
0.5 - 6 ± 0.1mm
6 - 30 ± 0.2mm
30 - 120 ± 0.3mm
120 - 400 ± 0.5mm
400 - 1000 ± 0.8mm
1000 - 2000 ± 1.2mm
2000 - 4000 ± 2.0mm

ALBERT JAGGER LTD
 GREEN LANE
 WALSALL PHONE: 01922 471000
 WEST MIDLANDS FAX: 01922 648021
 WS2 8HG

THIS DRAWING & THE DESIGN SHOWN
 ARE THE PROPERTY OF ALBERT JAGGER LTD
 AND MUST NOT BE USED OR COPIED BY A
 THIRD PARTY WITHOUT PERMISSION

DRAWN BY
 U.F

CHECKED BY
 A.P



SCALE
 1 : 1

MATERIAL
 SEE TABLE

MASS
 0.179 kg

FINISH
 Z/C
 PASSIVATE

Date
 26/10/2017

ALL DIMS IN MM
 UNLESS STATED
 DO NOT SCALE

A3

1	VALIDATION COMPLETE	26/10/17	A.P
REV	DESCRIPTION	DATE	APPROVED



H/DUTY BOLT ON CONTAINER DOOR HOOK
 0553-001

Edition 1	Sheet 1 / 1
--------------	----------------