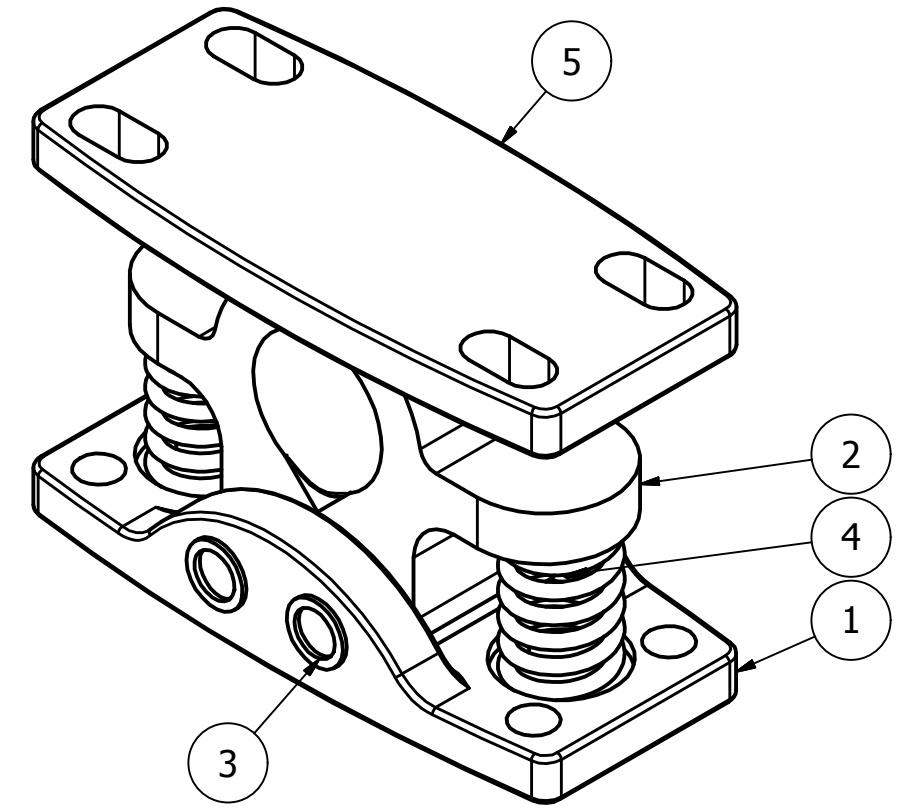
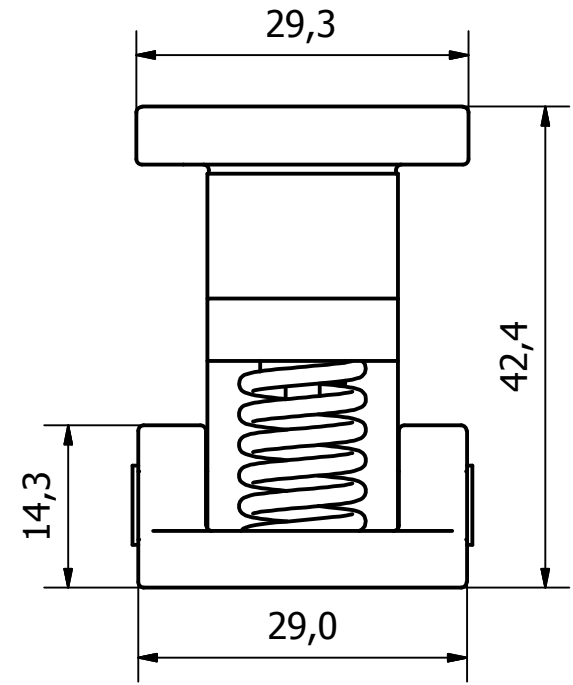


PARTS LIST				
ITEM	QTY	PART NUMBER	DESCRIPTION	
1	1	0556-001-1	WHITE ACETAL RETAINER BASE	
2	1	0556-001-2	WHITE ACETAL RETAINER CLAMP	
3	2	0556-001-3	S/STEEL RETAINER RIVET - NATURAL	
4	2	0556-001-4	M/STEEL COIL SPRING - Z/C PASSIVATE	
5	1	0556-001-5	WHITE ACETAL DOOR MOUNTING STRIKER	



GENERAL TOLERANCES ON LENGTHS
0.5 - 6 ± 0.1mm
6 - 30 ± 0.2mm
30 - 120 ± 0.3mm
120 - 400 ± 0.5mm
400 - 1000 ± 0.8mm
1000 - 2000 ± 1.2mm
2000 - 4000 ± 2.0mm

ALBERT JAGGER LTD
 GREEN LANE
 WALSALL PHONE: 01922 471000
 WEST MIDLANDS FAX: 01922 648021
 WS2 8HG

THIS DRAWING & THE DESIGN SHOWN ARE THE PROPERTY OF ALBERT JAGGER LTD AND MUST NOT BE USED OR COPIED BY A THIRD PARTY WITHOUT PERMISSION

DRAWN BY U.F
 CHECKED BY A.P



SCALE 1.5:1

MATERIAL -

MASS 0.056 kg

FINISH SEE TABLE

Date 07/06/2017

ALL DIMS IN MM UNLESS STATED DO NOT SCALE

A3



NYLON DOOR RETAINER - STD SPRING
 0556-001

Revision	1	Sheet	1 / 1
----------	---	-------	-------