

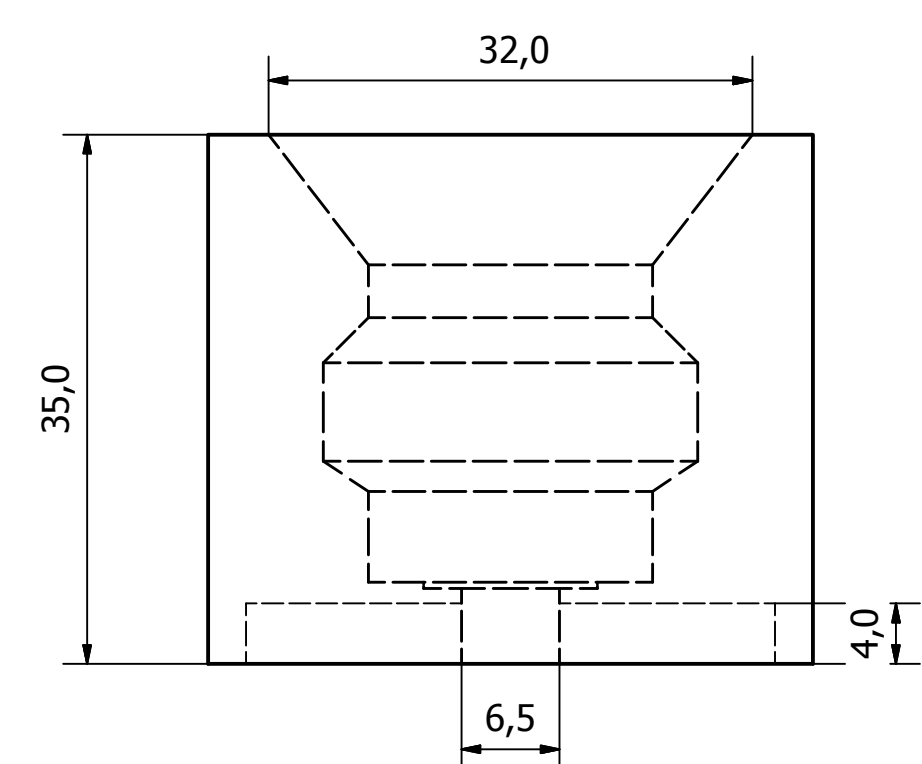
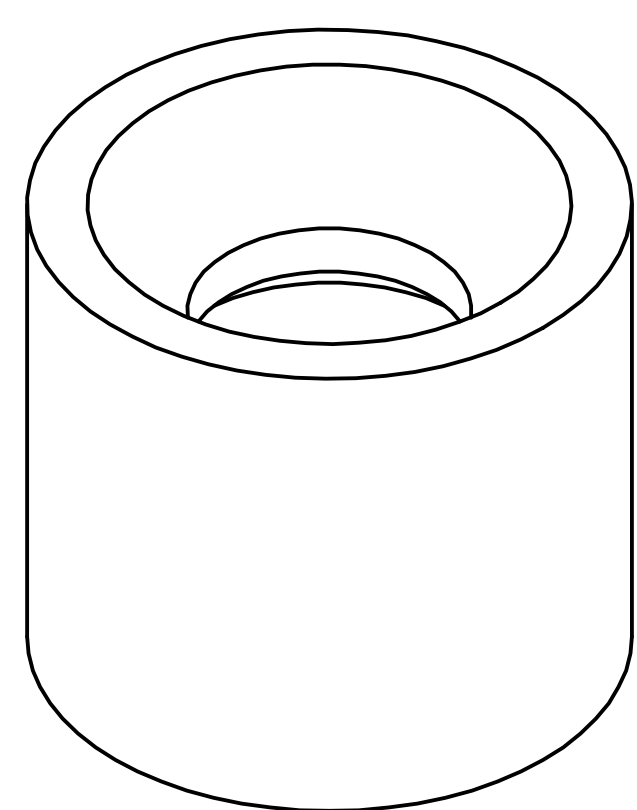
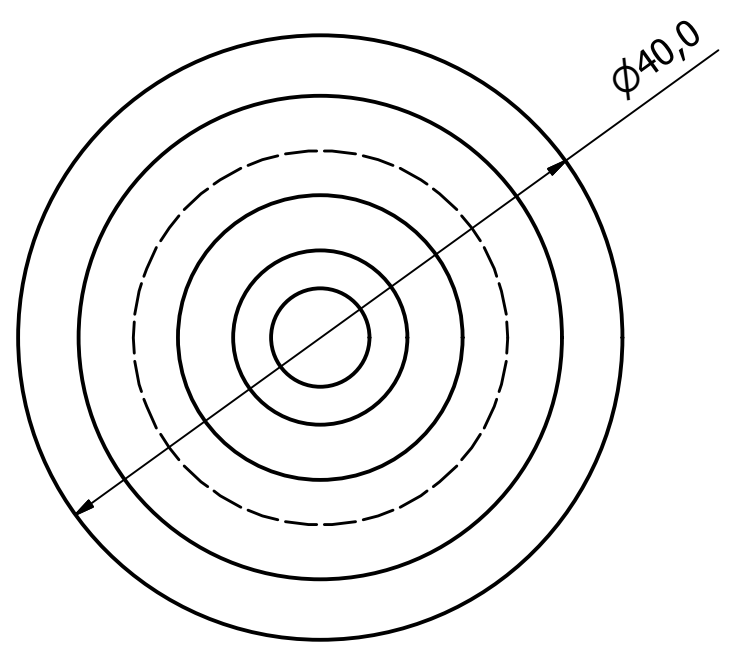
6 1 5 1 4 3 1 2 1 1

D D

C C

B B


A A



MATERIAL:
 MOULDED SOFT BLUE RUBBER (S.B.A)
 STEEL WASHER



FINISH:
 WASHER - SHERADISED
 RUBBER - FREE OF SURFACE CONTAMINANTS AND FLASH

NOTE:
 MINIMUM LOAD - 3Kg
 TYPICAL LOAD - 8 Kg

35-45° SHORE HARDNESS 

FOR USE WITH 0666/002 MALE MATING HALF

6	NOTE MODIFIED	26/09/17	U.F
5	RE-DRAWN IN CAD	05/12/16	A.P
REV	DESCRIPTION	DATE	APPROVED

GENERAL TOLERANCES ON LENGTHS 0.5 - 6 ± 0.1mm 6 - 30 ± 0.2mm 30 - 120 ± 0.3mm 120 - 400 ± 0.5mm 400 - 1000 ± 0.8mm 1000 - 1200 ± 1.2mm 2000 - 4000 ± 2.0mm		ALBERT JAGGER LTD GREEN LANE WALSALL PHONE: 01922 471000 WEST MIDLANDS FAX: 01922 648021 WS2 8HG		DRAWN BY U.F	CHECKED BY A.P	 SCALE 2:1	MATERIAL SEE NOTE	MASS 0.029 kg	FINISH SEE NOTE	Date 05/12/2016	ALL DIMS IN MM UNLESS STATED DO NOT SCALE	A3
						FEMALE - RUBBER DOOR HOLDER			0776-001	Edition 6	Sheet 1 / 1	

6 1 5 1 4 3 1 2 1 1