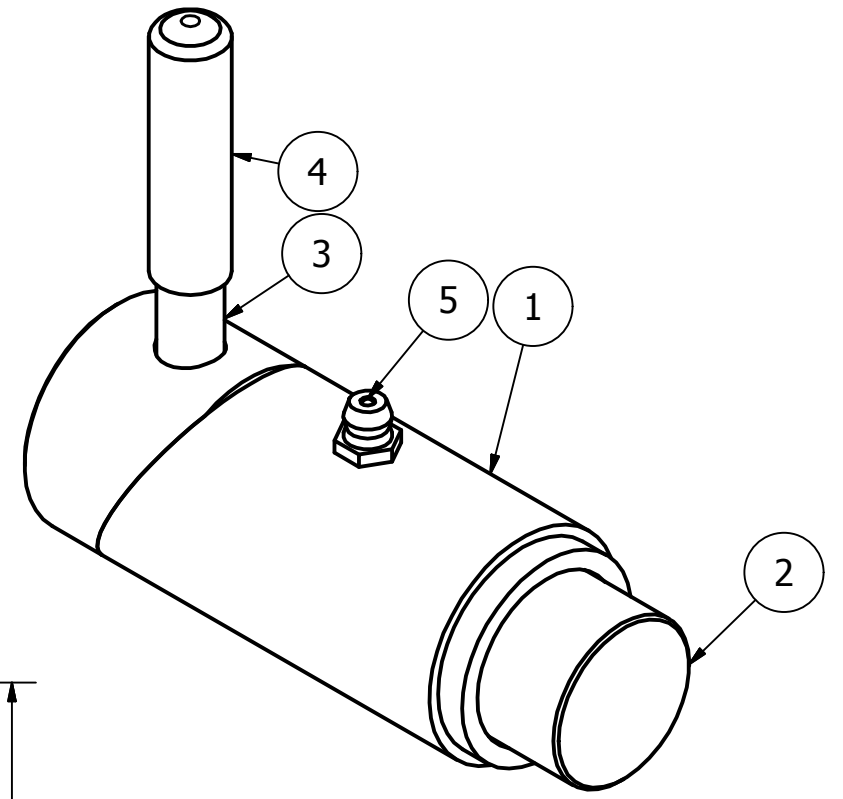
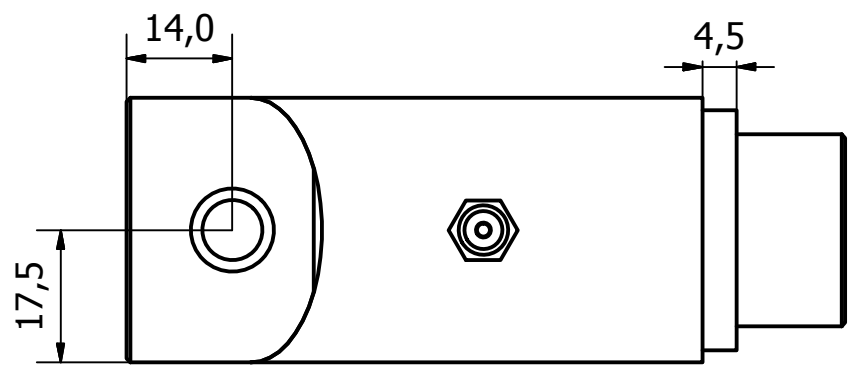


6 1 5 1 4 3 1 2 1 1

PARTS LIST			
ITEM	QTY	PART NUMBER	DESCRIPTION
1	1	0834-020-1	M/STEEL CASE CYLINDER BLOCK
2	1	0834-020-2	M/STEEL LEVER PIN BARREL
3	1	0834-020-3	M/STEEL LEVER PIN
4	1	0834-020-4	RED PLASTIC PIN CAP
5	1	0834-010-5	M/STEEL GREASE NIPPLE

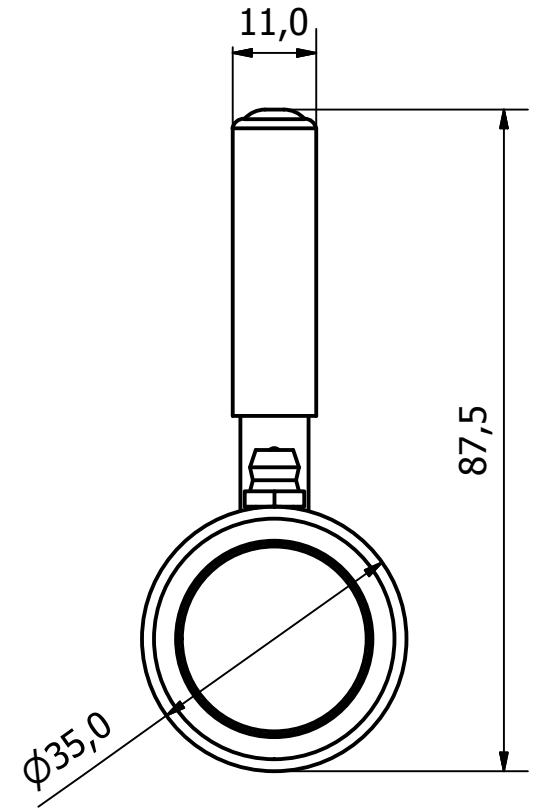
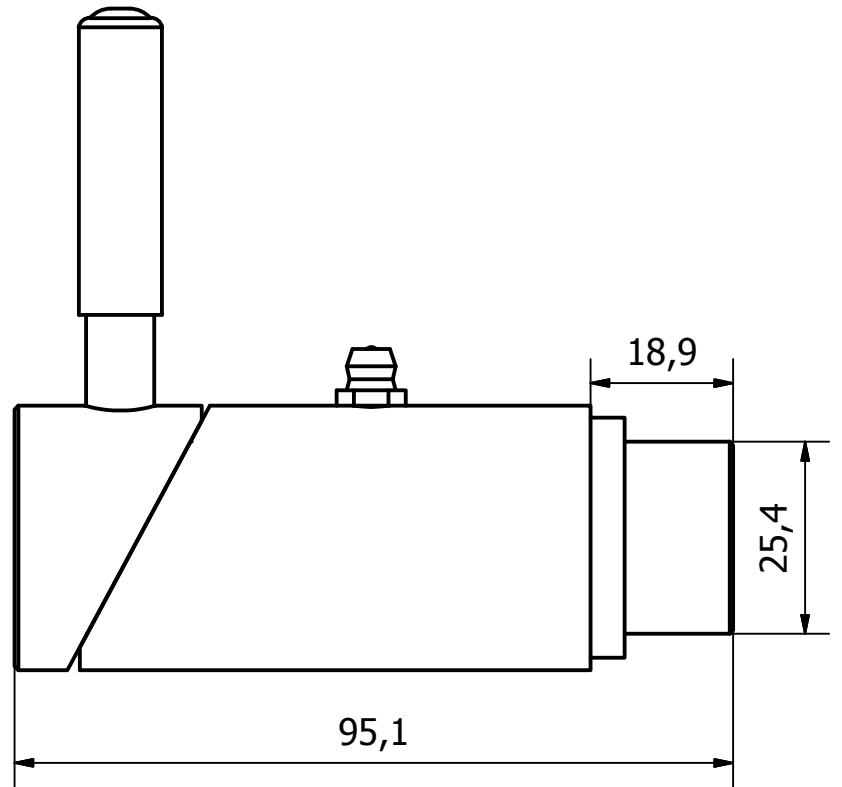
D

D



C

C



B

B

A

A

1	VALIDATION COMPLETE	29/03/17	A.P
REV	DESCRIPTION	DATE	APPROVED

GENERAL TOLERANCES ON LENGTHS
0.5 - 6 ± 0.1mm
6 - 30 ± 0.2mm
30 - 120 ± 0.3mm
120 - 400 ± 0.5mm
400 - 1000 ± 0.8mm
1000 - 1200 ± 1.2mm
2000 - 4000 ± 2.0mm

ALBERT JAGGER LTD
 GREEN LANE
 WALSALL PHONE: 01922 471000
 WEST MIDLANDS FAX: 01922 648021
 WS2 8HG

THIS DRAWING & THE DESIGN SHOWN ARE THE PROPERTY OF ALBERT JAGGER LTD AND MUST NOT BE USED OR COPIED BY A THIRD PARTY WITHOUT PERMISSION

DRAWN BY
U.F

CHECKED BY
A.P



SCALE
1 : 1

MATERIAL
-

MASS
0.673 kg

FINISH
Z/C
PASSIVATE

Date
14/12/2016

ALL DIMS IN MM UNLESS STATED DO NOT SCALE

A3



WELD ON ROTALOCK SPRING BOLT 35 O/D

0834-020

Edition
1

Sheet
1 / 1

6 1 5 1 4 3 1 2 1 1