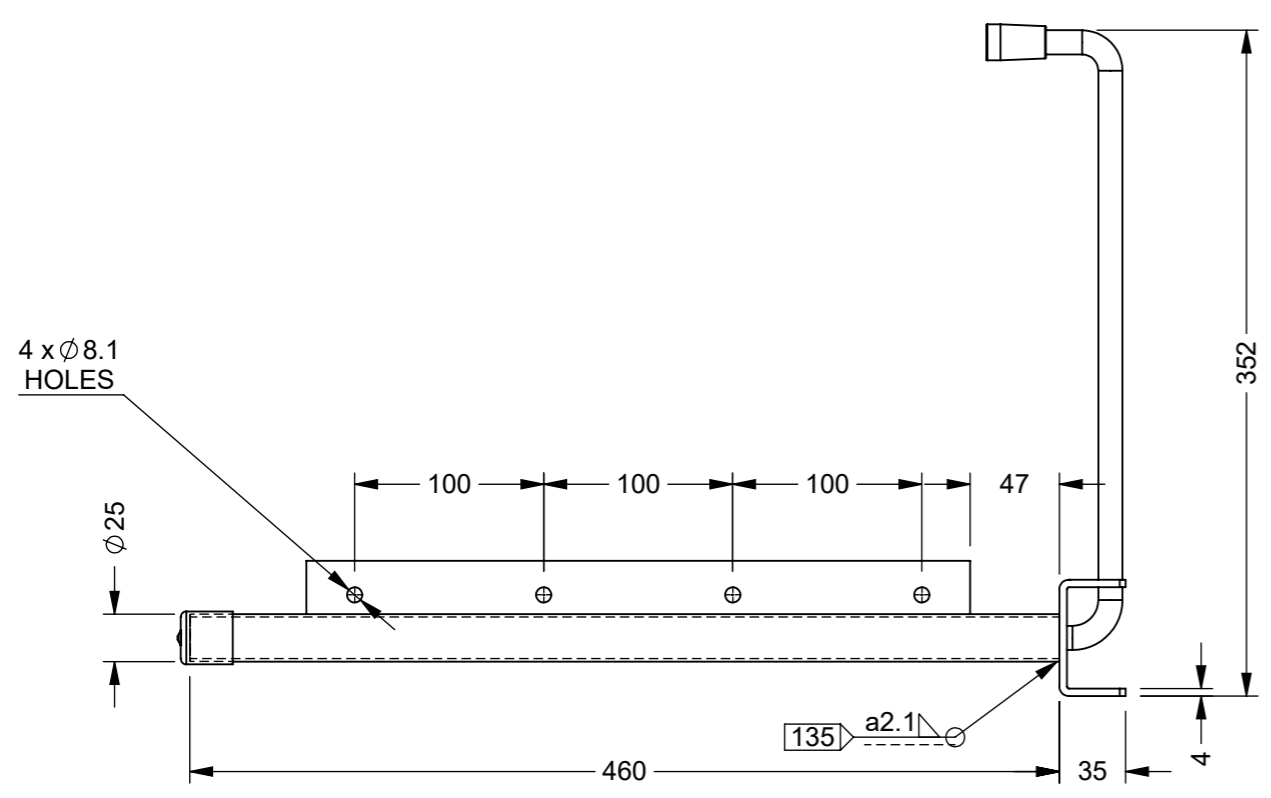
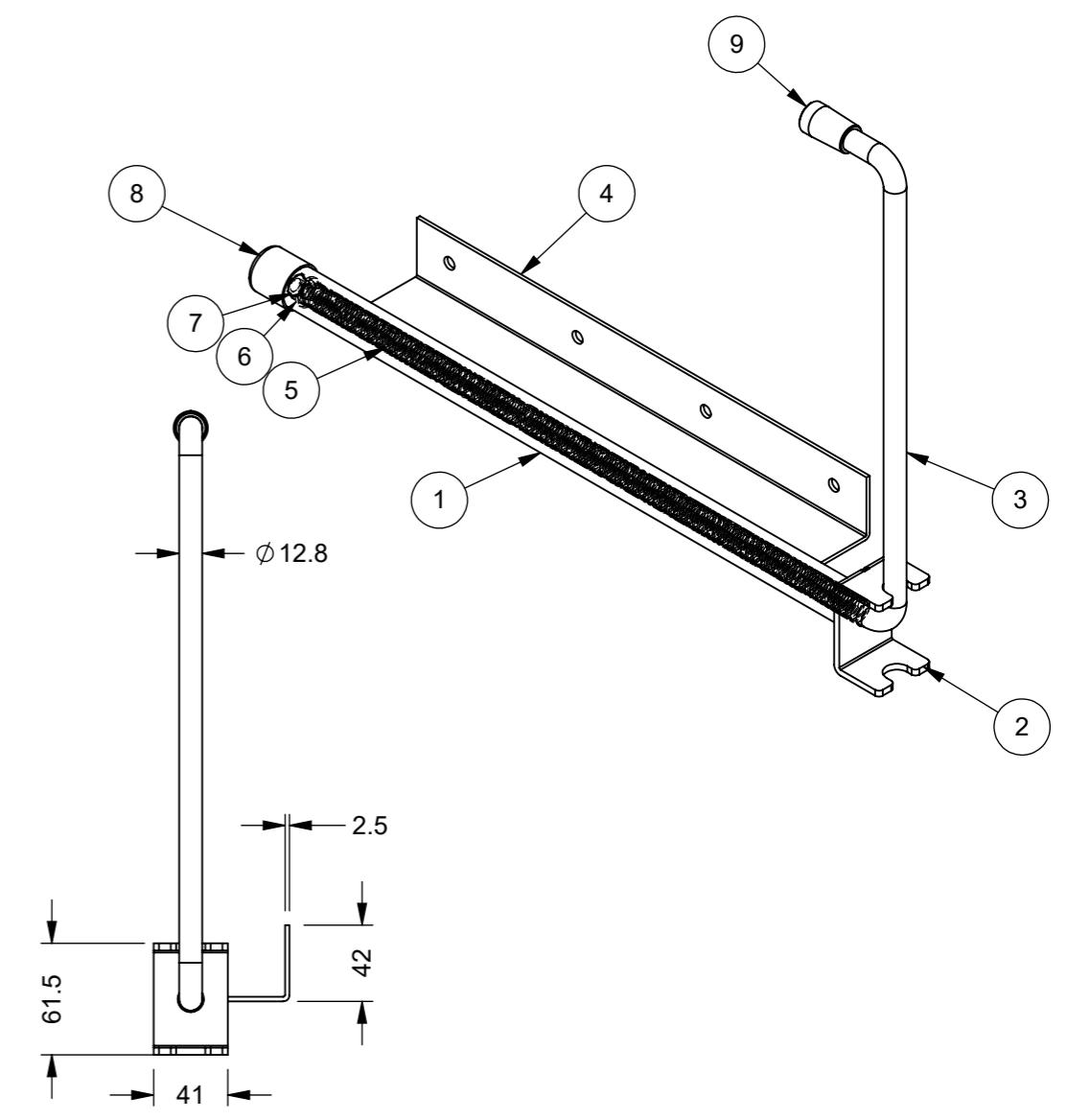
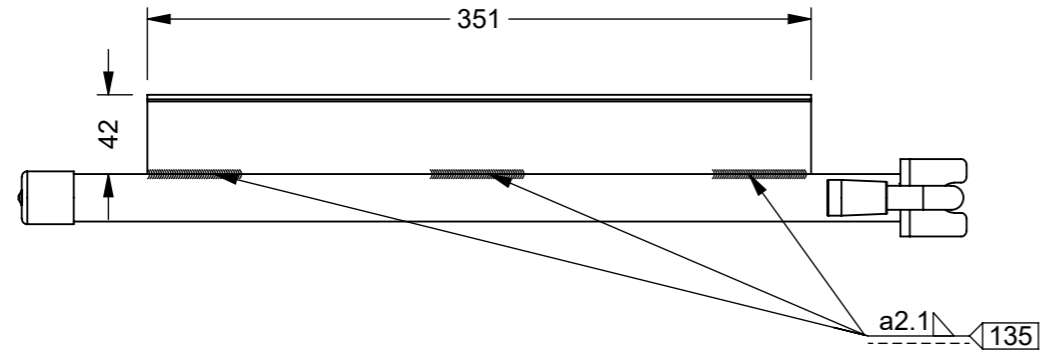


IF IN DOUBT ASK

ITEM NO.	PART NUMBER	DESCRIPTION	QTY.
1	0835-009-1	M/STEEL RETAINER TUBE - Z/C PASSIVATED	1
2	0835-009-2	M/STEEL MOUNTING BODY - Z/C PASSIVATED	1
3	0835-009-3	M/STEEL RETAINER ROD - Z/C PASSIVATED	1
4	0835-009-4	M/STEEL MOUNTING BRACKET - Z/C PASSIVATED	1
5	0835-009-5	M/STEEL COIL SPRING - Z/C PASSIVATED	1
6	0835-009-6	M/STEEL WASHER - Z/C PASSIVATED	1
7	0835-009-7	M/STEEL M8 NYLOC NUT- Z/C PASSIVATED	1
8	0835-009-8	RUBBER TUBE COVER - BLACK	1
9	0835-009-9	PLASTIC ROD END COVER - BLACK	1



ZONE	REV.	DESCRIPTION	DATE	APPROVED
	1	VALIDATION COMPLETE	17/01/2024	A.P

UNLESS OTHERWISE STATED, ALL DIMENSIONS IN mm

TOLERANCES		SURFACE FINISH 1.6µm Ra	
0.5 - 6	= ±0.1mm	FILLET RADII	0.5 TO 1.0
6 - 30	= ±0.2 mm	SQUARENESS	0.05 IN 25
30 - 120	= ±0.3 mm	PARALLELISM	0.05 IN 25
120 - 400	= ±0.5 mm	RUNOUT	0.1
400 - 1000	= ±0.8 mm	ANGLES	±0.5°
1000 - 2000	= ±1.2 mm		
2000 - 4000	= ±2.0 mm		

MATERIAL: SEE TABLE	DRAWN BY: UF		DESCRIPTION: TROMBONE DOOR RETAINER - LH		A3	
MASS: 1.93	CHECKED BY: A.P		NUMBER: 0835-009	REVISION: 1		SHEET: 1 of 1
FINISH: SEE TABLE	APPROVED BY: A.P		ORIGINATION DATE: 17/01/2024	SCALE : PROPORTIONAL - DO NOT SCALE REF SCALE 1:5 WHEN PRINTED ON A3		

PROPRIETARY RIGHTS ARE INCLUDED IN THE INFORMATION DISCLOSED HEREIN. NEITHER THIS DOCUMENT NOR ANY INFORMATION DISCLOSED SHALL BE REPRODUCED, USED, TRANSFERRED TO OTHER DOCUMENTS, OR DISCLOSED TO OTHERS FOR ANY PURPOSE INCLUDING MANUFACTURING UNLESS SPECIFICALLY AUTHORISED IN WRITING
REMOVE ALL SHARP EDGES AND BURRS
PART FINISHING AND MARKING TO CESF001

