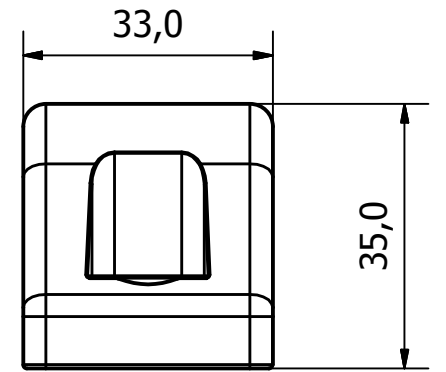
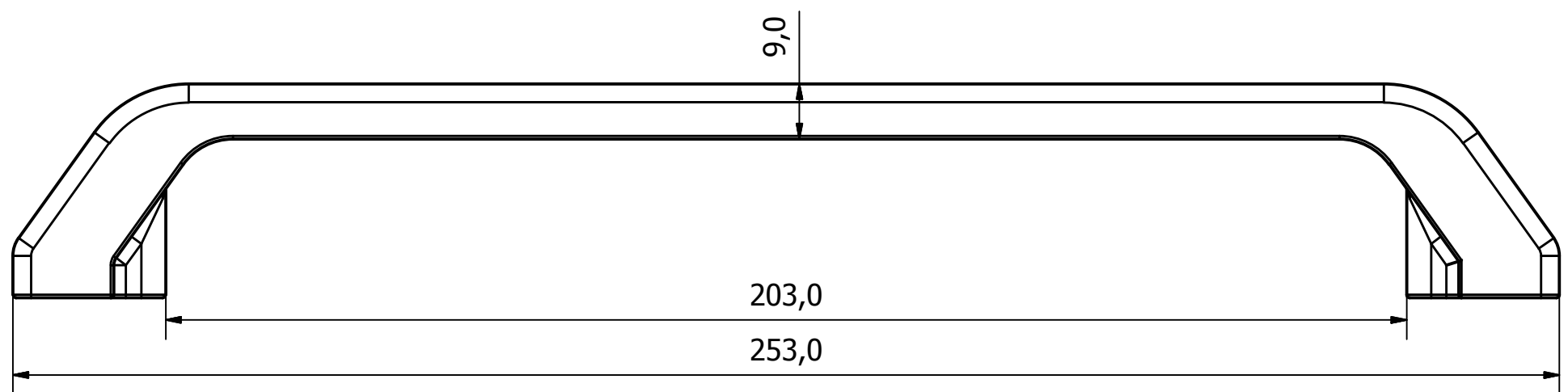
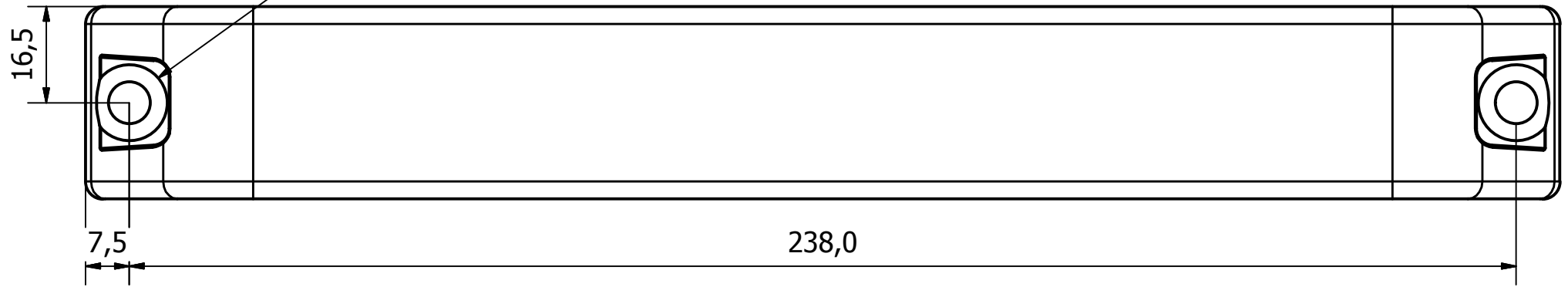


2 x Ø13 HOLES √ 7.2 @ 90°



1	VALIDATION COMPLETE	16/05/17	A.P
REV	DESCRIPTION	DATE	APPROVED
CHECKED BY	SCALE	MATERIAL	MASS
A.P	1 : 1	DIE-CAST ZINC	0.475 kg
DRAWN BY	THIRD ANGLE PROJECTION	FINISH	Date
U.F		POWDERCOAT BLACK	02/02/2017
		PULL HANDLE - 253 O/A	
		0856-002	ALL DIMS IN MM UNLESS STATED DO NOT SCALE
		Edition	Sheet
		1	1 / 1

GENERAL TOLERANCES ON LENGTHS  
 0.5 - 6 ± 0.1mm  
 6 - 30 ± 0.2mm  
 30 - 120 ± 0.3mm  
 120 - 400 ± 0.5mm  
 400 - 1000 ± 0.8mm  
 1000 - 1200 ± 1.2mm  
 2000 - 4000 ± 2.0mm

ALBERT JAGGER LTD  
 GREEN LANE  
 WALSALL PHONE: 01922 471000  
 WEST MIDLANDS FAX: 01922 648021  
 WS2 8HG  
 THIS DRAWING & THE DESIGN SHOWN ARE THE PROPERTY OF ALBERT JAGGER LTD AND MUST NOT BE USED OR COPIED BY A THIRD PARTY WITHOUT PERMISSION

DRAWN BY  
 U.F

CHECKED BY  
 A.P



SCALE  
 1 : 1

MATERIAL  
 DIE-CAST ZINC

MASS  
 0.475 kg

FINISH  
 POWDERCOAT BLACK

Date  
 02/02/2017

ALL DIMS IN MM UNLESS STATED DO NOT SCALE

A3