

6 5 4 3 2 1

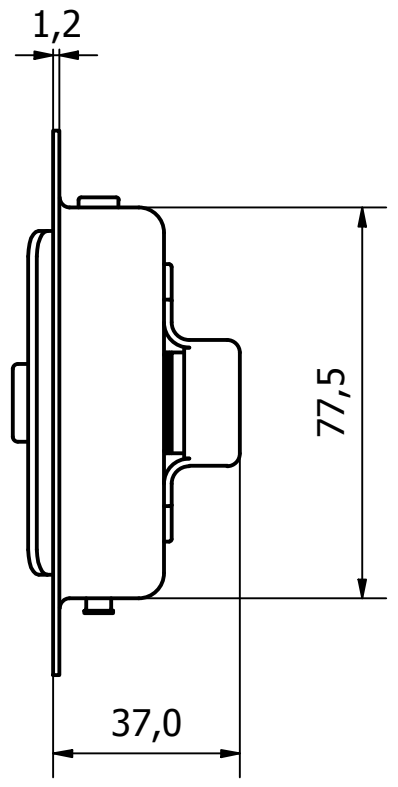
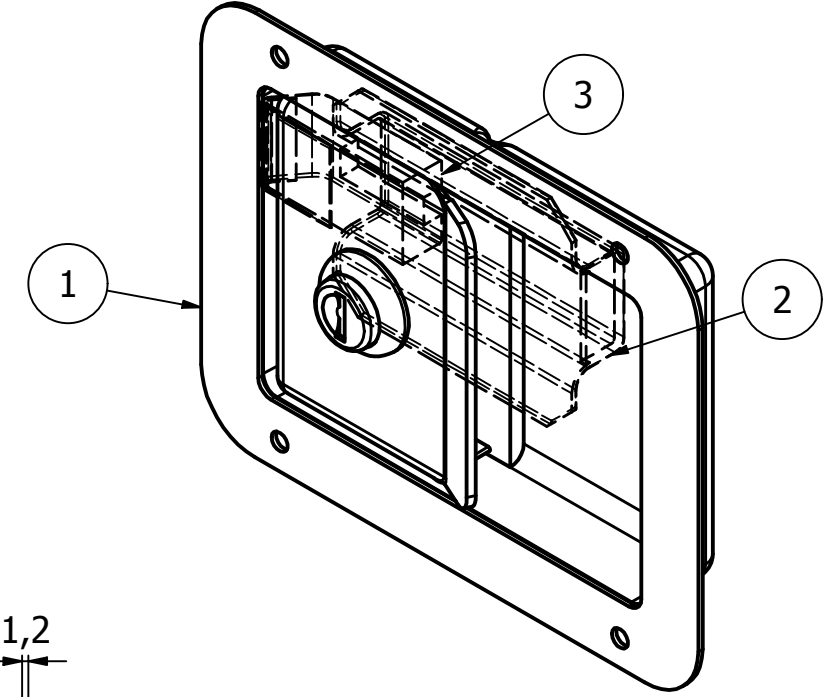
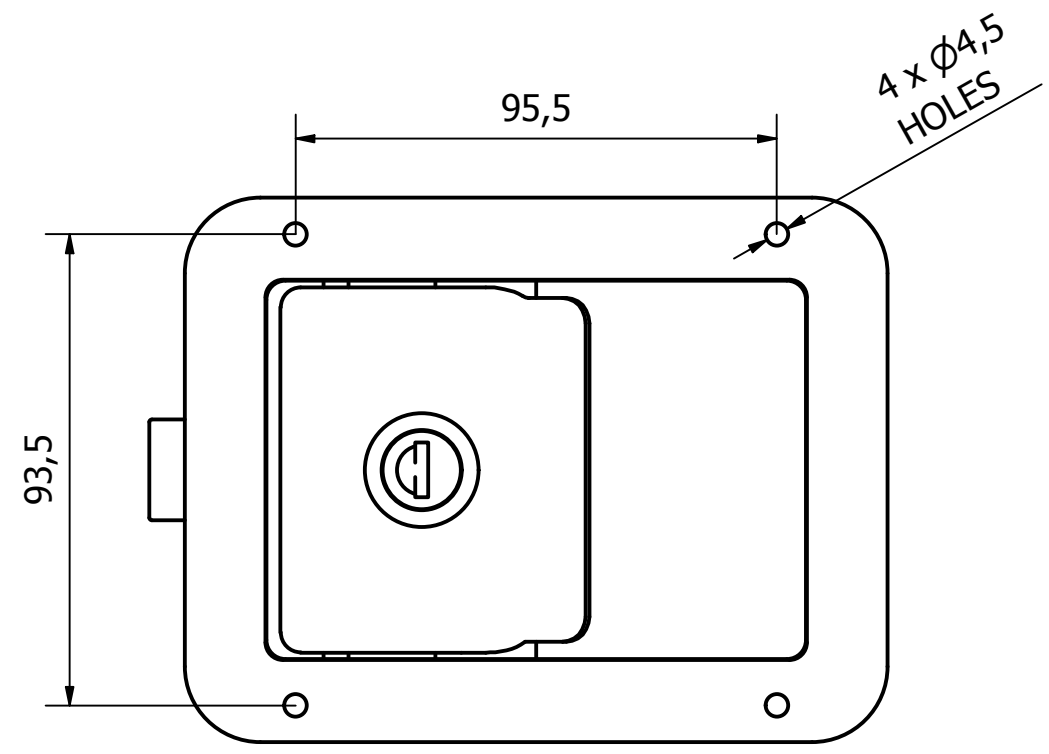
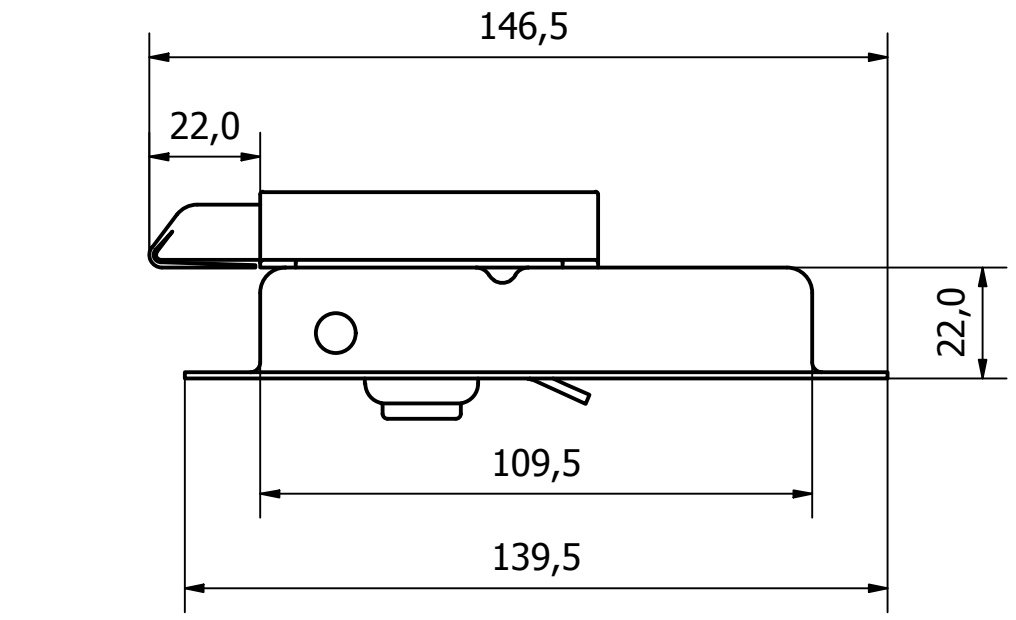
PARTS LIST			
ITEM	QTY	PART NUMBER	DESCRIPTION
1	1	0910-411-1	S/STEEL PADDLE LOCK BODY ASSEMBLY
2	1	0910-411-2	S/STEEL TONGUE COVER PLATE
3	1	0910-411-3	S/STEEL TONGUE

D

C

B

A



NOTE:  
USES KEY No. 64001

GENERAL TOLERANCES ON LENGTHS
0.5 - 6 ± 0.1mm
6 - 30 ± 0.2mm
30 - 120 ± 0.3mm
120 - 400 ± 0.5mm
400 - 1000 ± 0.8mm
1000 - 2000 ± 1.2mm
2000 - 4000 ± 2.0mm

ALBERT JAGGER LTD  
GREEN LANE  
WALSALL PHONE: 01922 471000  
WEST MIDLANDS FAX: 01922 648021  
WS2 8HG

THIS DRAWING & THE DESIGN SHOWN ARE THE PROPERTY OF ALBERT JAGGER LTD AND MUST NOT BE USED OR COPIED BY A THIRD PARTY WITHOUT PERMISSION

DRAWN BY  
U.F

CHECKED BY  
A.P



SCALE  
1:1.5

MATERIAL  
SEE TABLE

MASS  
0.514 kg

FINISH  
POLISHED

Date  
20/11/2018

ALL DIMS IN MM UNLESS STATED DO NOT SCALE

A3



1		VALIDATION COMPLETE	21/11/18	A.P
REV		DESCRIPTION	DATE	APPROVED
0910-411		S/STEEL PADDLE LOCK DEEP MIDI 0910 SERIES		
		Edition	Sheet	
		1	1 / 1	

6 5 4 3 2 1