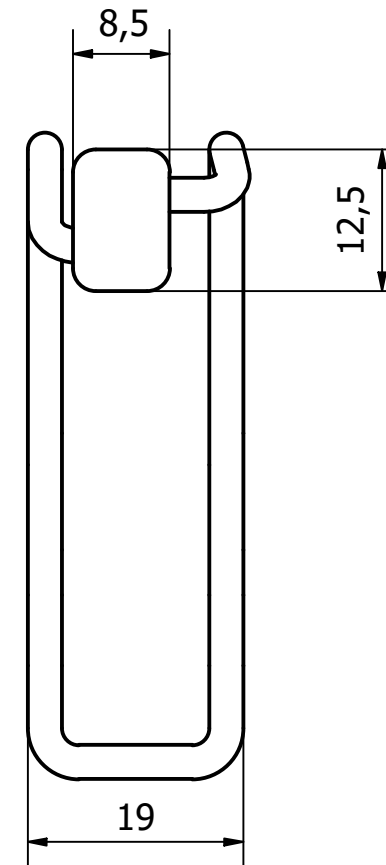
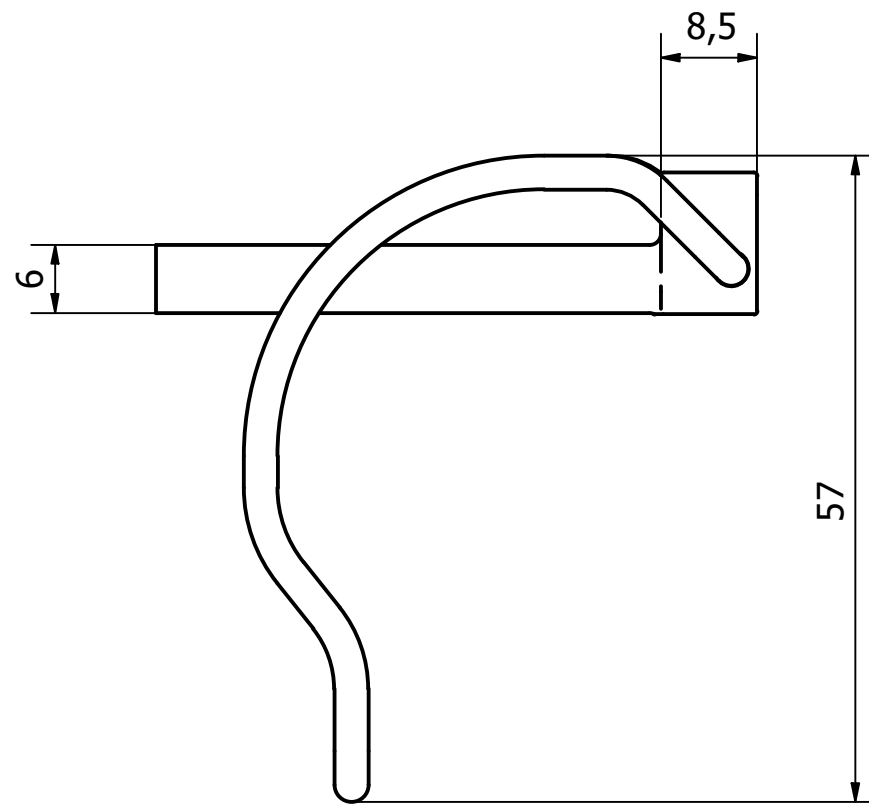
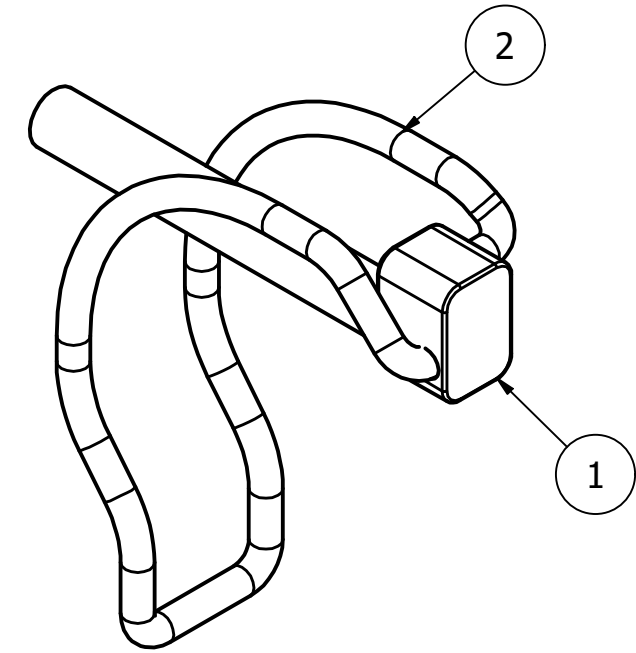
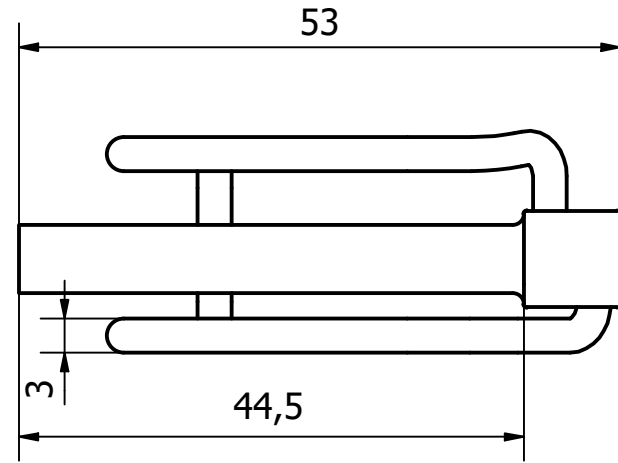


PARTS LIST			
ITEM	QTY	PART NUMBER	DESCRIPTION
1	1	1056-797-2	M/STEEL PIN - ZINC PLATED
2	1	1056-797-1	M/STEEL BAR - ZINC PLATED



1	VALIDATION COMPLETE	22/04/21	U.F
REV	DESCRIPTION	DATE	APPROVED

NOTE:
TO SUIT MAX Ø40mm BAR

GENERAL TOLERANCES ON LENGTHS
0.5 - 6 ± 0.1mm
6 - 30 ± 0.2mm
30 - 120 ± 0.3mm
120 - 400 ± 0.5mm
400 - 1000 ± 0.8mm
1000 - 2000 ± 1.2mm
2000 - 4000 ± 2.0mm

ALBERT JAGGER LTD
GREEN LANE
WALSALL PHONE: 01922 471000
WEST MIDLANDS FAX: 01922 648021
WS2 8HG

THIS DRAWING & THE DESIGN SHOWN ARE THE PROPERTY OF ALBERT JAGGER LTD AND MUST NOT BE USED OR COPIED BY A THIRD PARTY WITHOUT PERMISSION

DRAWN BY

A.S

CHECKED BY

A.P



SCALE

3 : 2

MATERIAL

SEE DRAWING

MASS

0.027 kg

FINISH

SEE DRAWING

Date

01/07/2019

ALL DIMS IN MM UNLESS STATED DO NOT SCALE

A3



40MM MAX DIA PIPE PIN

1056-797

Edition

1

Sheet

1 / 1