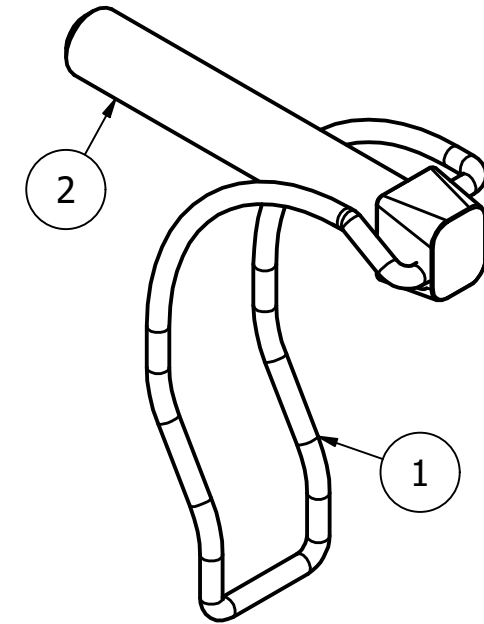
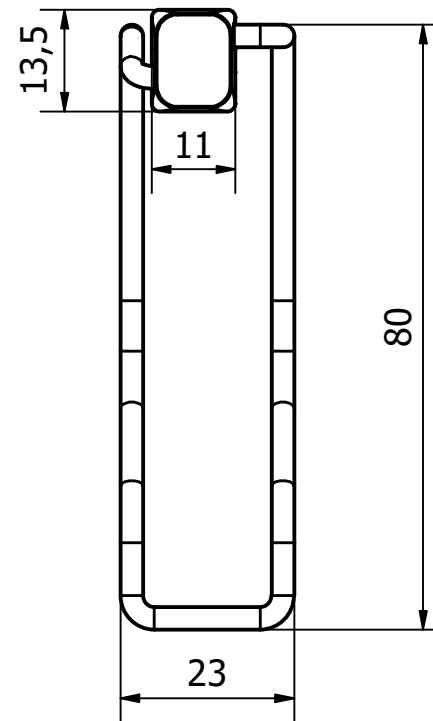
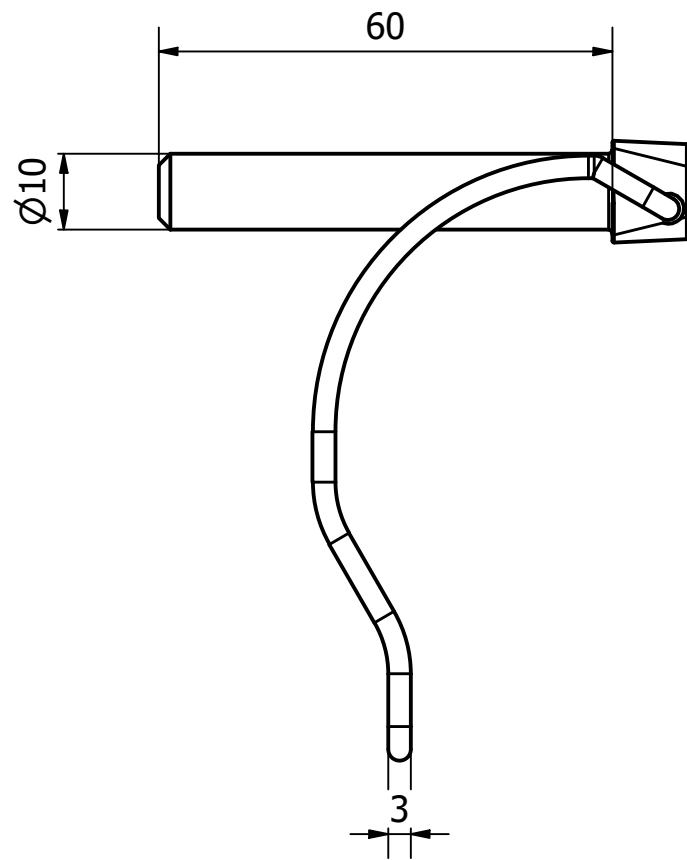
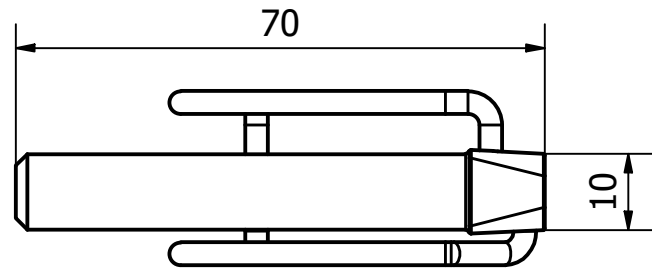


PARTS LIST			
ITEM	QTY	PART NUMBER	DESCRIPTION
1	1	1056-799-1	M/STEEL BAR - ZINC PLATED
2	1	1056-799-2	M/STEEL PIN - ZINC PLATED



1	VALIDATION COMPLETE	23/04/21	U.F
REV	DESCRIPTION	DATE	APPROVED

GENERAL TOLERANCES ON LENGTHS
0.5 - 6 ± 0.1mm
6 - 30 ± 0.2mm
30 - 120 ± 0.3mm
120 - 400 ± 0.5mm
400 - 1000 ± 0.8mm
1000 - 2000 ± 1.2mm
2000 - 4000 ± 2.0mm

ALBERT JAGGER LTD  
 GREEN LANE  
 WALSALL PHONE: 01922 471000  
 WEST MIDLANDS FAX: 01922 648021  
 WS2 8HG

THIS DRAWING & THE DESIGN SHOWN  
 ARE THE PROPERTY OF ALBERT JAGGER LTD  
 AND MUST NOT BE USED OR COPIED BY A  
 THIRD PARTY WITHOUT PERMISSION

DRAWN BY  
 A.S

CHECKED BY  
 A.P



SCALE  
 1 : 1

MATERIAL  
 SEE  
 DRAWING

MASS  
 0.061 kg

FINISH  
 SEE  
 DRAWING

Date  
 01/07/2019

ALL DIMS IN MM  
 UNLESS STATED  
 DO NOT SCALE

A3



55mm MAX DIA PIPE PIN

1056-799

Edition 1

Sheet 1 / 1

NOTE:  
 TO SUIT MAX Ø55mm BAR