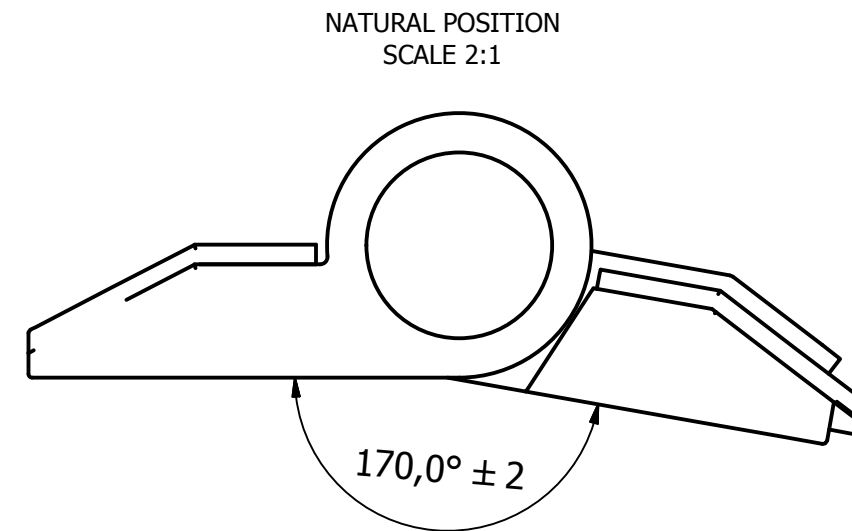
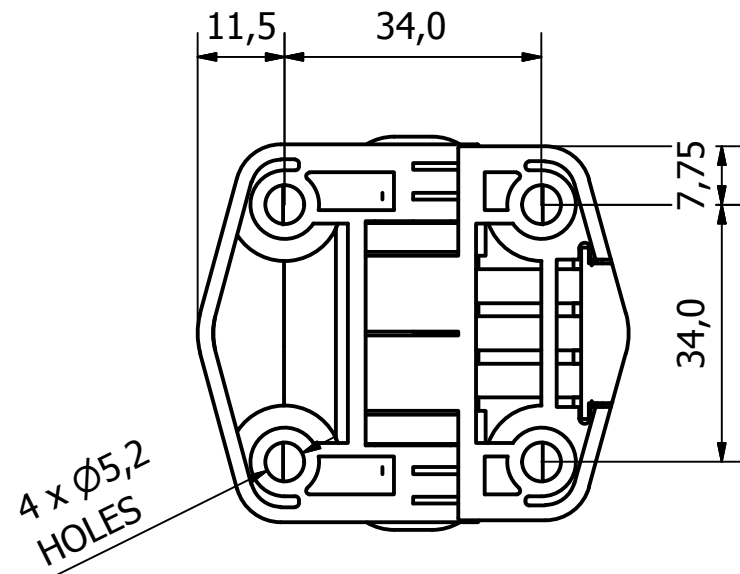
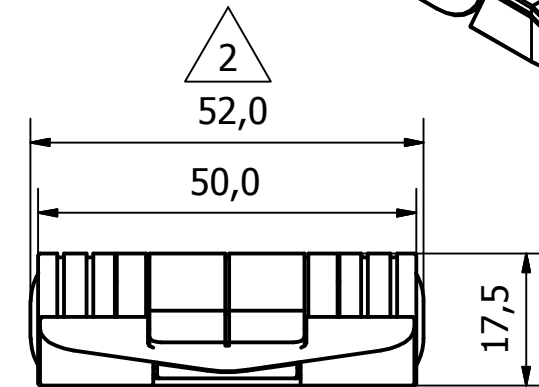
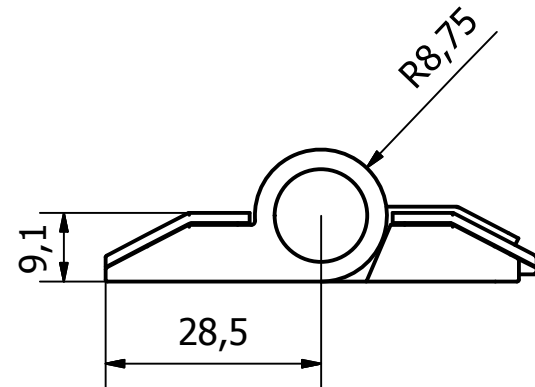
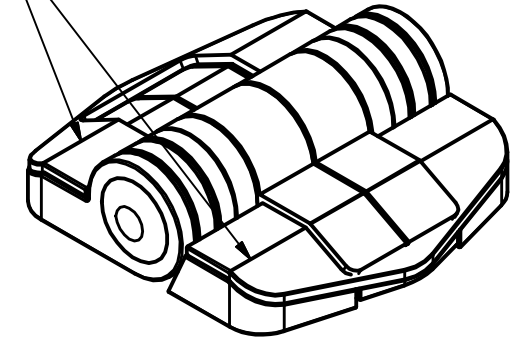


SCREW HOLE COVERS



NOTE:

MATERIAL - BLACK ACETAL BODY AND SCREW
COVERS, HINGE PIN S/STEEL 304 NATURAL FINISH

HINGE DETENTS TO 115°
RELEASE TORQUE OF HINGE - 1.7 N.m
CYCLE LIFE - 20000 CYCLES



GENERAL TOLERANCES ON LENGTHS
0.5 - 6 ± 0.1mm
6 - 30 ± 0.2mm
30 - 120 ± 0.3mm
120 - 400 ± 0.5mm
400 - 1000 ± 0.8mm
1000 - 2000 ± 1.2mm
2000 - 4000 ± 2.0mm

ALBERT JAGGER LTD
GREEN LANE
WALSALL PHONE: 01922 471000
WEST MIDLANDS FAX: 01922 648021
WS2 8HG

THIS DRAWING & THE DESIGN SHOWN
ARE THE PROPERTY OF ALBERT JAGGER LTD
AND MUST NOT BE USED OR COPIED BY A
THIRD PARTY WITHOUT PERMISSION

DRAWN BY
U.F

CHECKED BY
A.P



SCALE
1 : 1

MATERIAL
SEE NOTE

MASS
0.056 kg

FINISH
SEE NOTE

Date
01/11/2017

ALL DIMS IN MM
UNLESS STATED
DO NOT SCALE

A3



SPRING LOADED SCREW ON HINGE

1346-008

Edition
2

Sheet
1 / 1

REV	DESCRIPTION	DATE	APPROVED
2	DIMENSIONS AND NOTE MODIFIED	20/02/18	U.F
1	VALIDATION COMPLETE	03/11/17	A.P