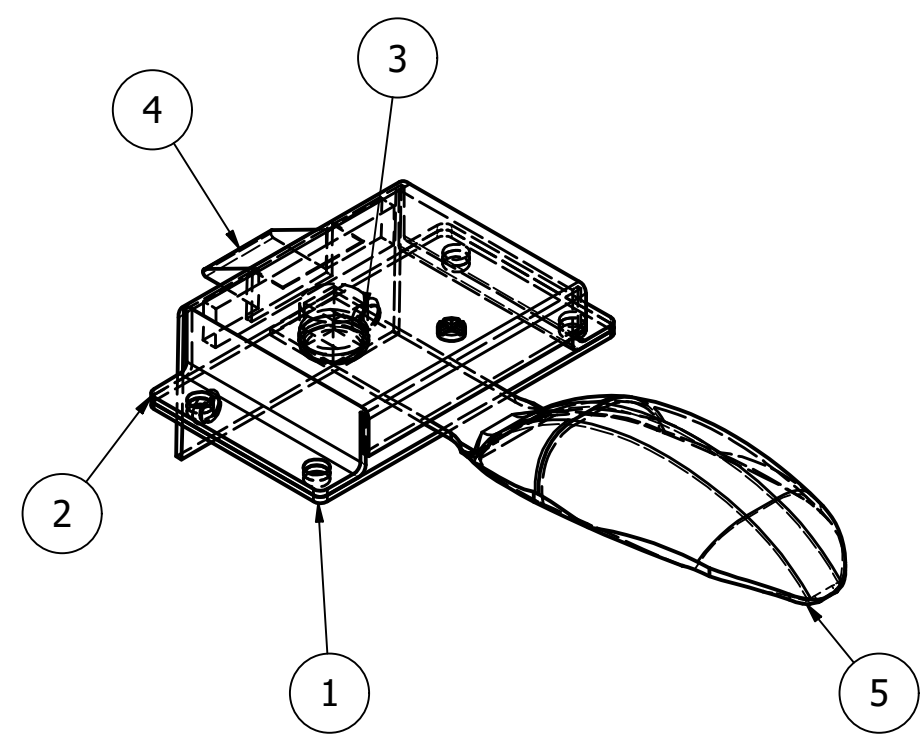
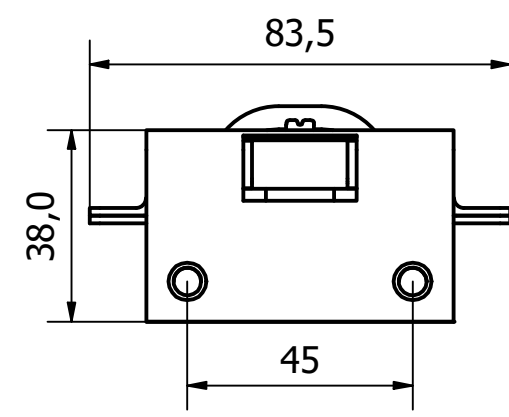
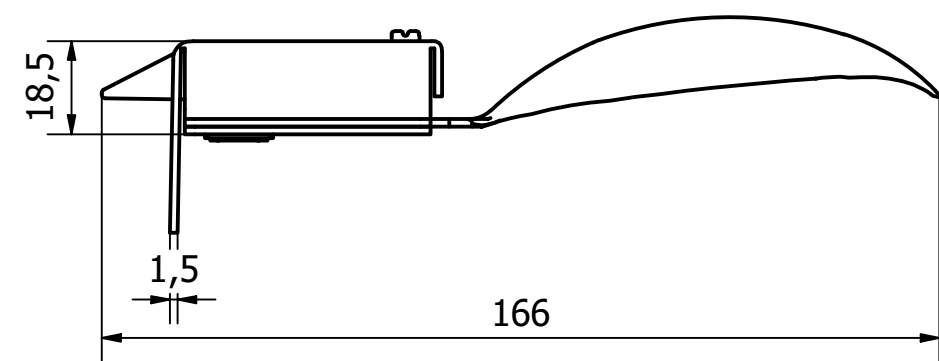
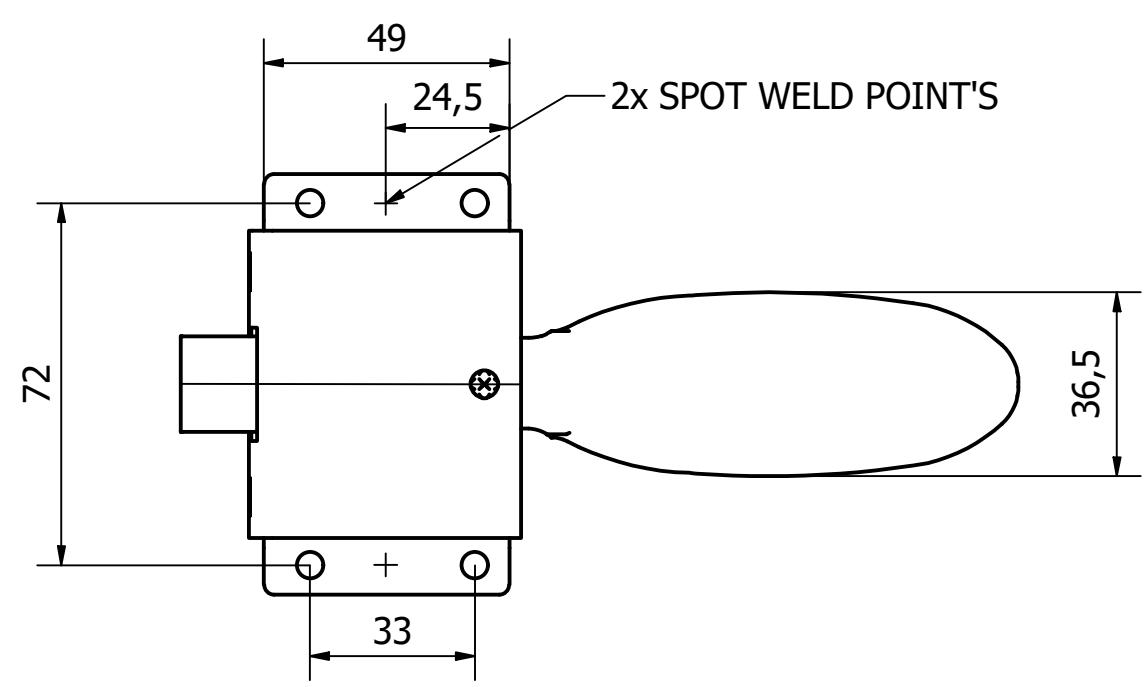


PARTS LIST			
ITEM	QTY	PART NUMBER	DESCRIPTION
1	1	2121-003-1	M/STEEL - SLAM LOCK BASE PLATE-Z/C PASSIVATE
2	1	2121-003-2	M/STEEL- PRESSED SLAM LOCK BODY- Z/C PASSIVATE
3	1	2121-003-3	M/STEEL - LOCK BARREL- Z/C PASSIVATE
4	1	2121-003-4	MALLEABLE IRON - TONUGE
5	1	2121-003-5	M/STEEL - HANDLE- Z/C PASSIVATE



REV	DESCRIPTION	DATE	APPROVED
1	VALIDATION COMPLETE	02/12/2021	C.H

GENERAL TOLERANCES ON LENGTHS
0.5 - 6 ± 0.1mm
6 - 30 ± 0.2mm
30 - 120 ± 0.3mm
120 - 400 ± 0.5mm
400 - 1000 ± 0.8mm
1000 - 2000 ± 1.2mm
2000 - 4000 ± 2.0mm

ALBERT JAGGER LTD  
GREEN LANE  
WALSALL PHONE: 01922 471000  
WEST MIDLANDS FAX: 01922 648021  
WS2 8HG

THIS DRAWING & THE DESIGN SHOWN ARE THE PROPERTY OF ALBERT JAGGER LTD AND MUST NOT BE USED OR COPIED BY A THIRD PARTY WITHOUT PERMISSION

DRAWN BY S.R	CHECKED BY C.H	THIRD ANGLE PROJECTION	SCALE 1 : 1.5	MATERIAL SEE TABLE	MASS 0.210 kg	FINISH SEE TABLE	Date 01/12/2021	ALL DIMS IN MM UNLESS STATED DO NOT SCALE	A3
-----------------	-------------------	------------------------	------------------	-----------------------	------------------	---------------------	--------------------	---	----



SLAM LOCK - SC / WITH HANDLE, LOCKING

2121-003

Edition 1	Sheet 1 / 1
--------------	----------------