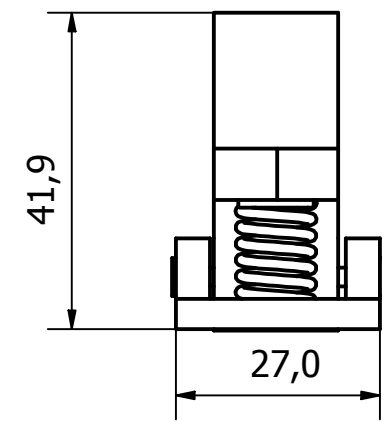
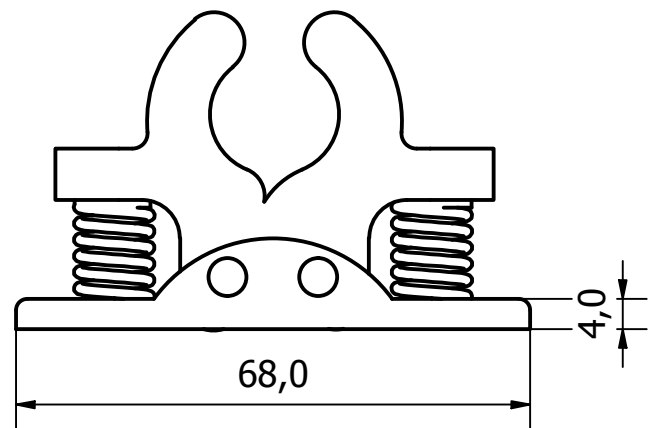
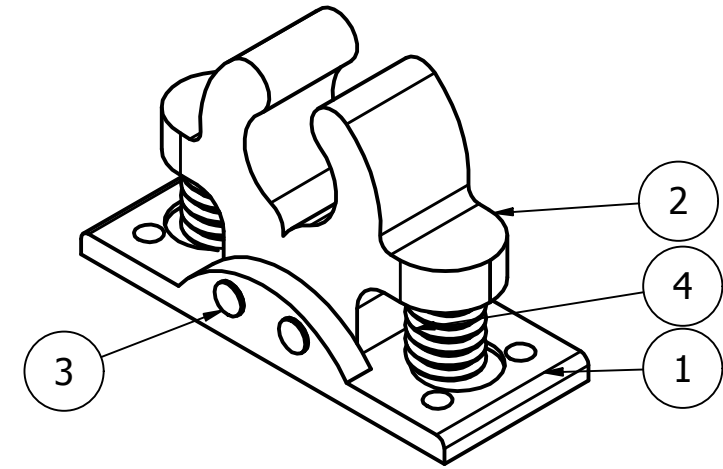
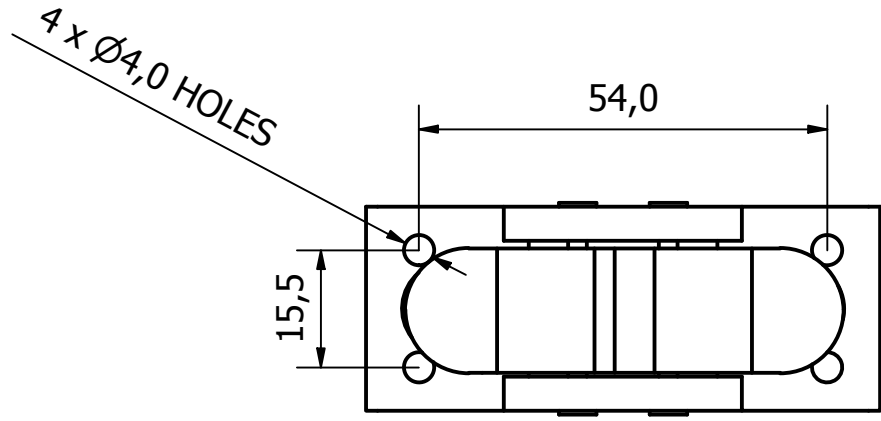


PARTS LIST			
ITEM	QTY	PART NUMBER	DESCRIPTION
1	1	2132-004-1	ZINC PLATED IRON CAST BASE
2	1	2132-004-2	ZINC PLATED IRON CAST CLAMP
3	2	2132-004-3	S/STEEL RETAINER RIVET - NATURAL
4	2	2132-004-4	S/STEEL SPRING - NATURAL



1	VALIDATION COMPLETE	15/02/19	A.P
REV	DESCRIPTION	DATE	APPROVED

NOTE:  
FOR USE WITH 2132-003 - MALE

GENERAL TOLERANCES ON LENGTHS
0.5 - 6 ± 0.1mm
6 - 30 ± 0.2mm
30 - 120 ± 0.3mm
120 - 400 ± 0.5mm
400 - 1000 ± 0.8mm
1000 - 2000 ± 1.2mm
2000 - 4000 ± 2.0mm

ALBERT JAGGER LTD  
GREEN LANE  
WALSALL PHONE: 01922 471000  
WEST MIDLANDS FAX: 01922 648021  
WS2 8HG

THIS DRAWING & THE DESIGN SHOWN ARE THE PROPERTY OF ALBERT JAGGER LTD AND MUST NOT BE USED OR COPIED BY A THIRD PARTY WITHOUT PERMISSION

DRAWN BY  
A.S

CHECKED BY  
A.P



SCALE  
1 : 1

MATERIAL  
SEE TABLE

MASS  
0.170 kg

FINISH  
SEE TABLE

Date  
30/01/2019

ALL DIMS IN MM UNLESS STATED DO NOT SCALE

A3



CLAW DOOR RETAINER - FEMALE - 2132 SERIES  
2132-004  
Edition 1  
Sheet 1 / 1