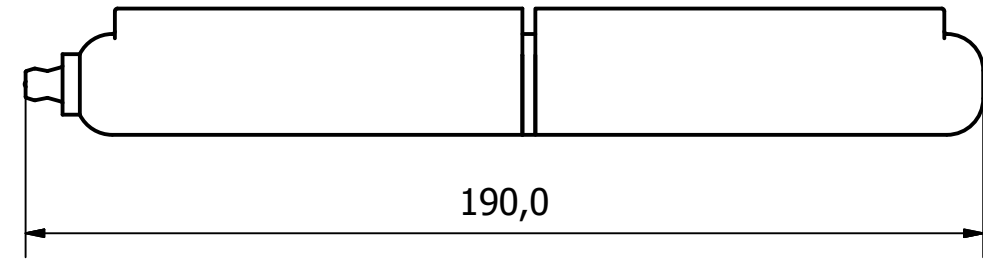
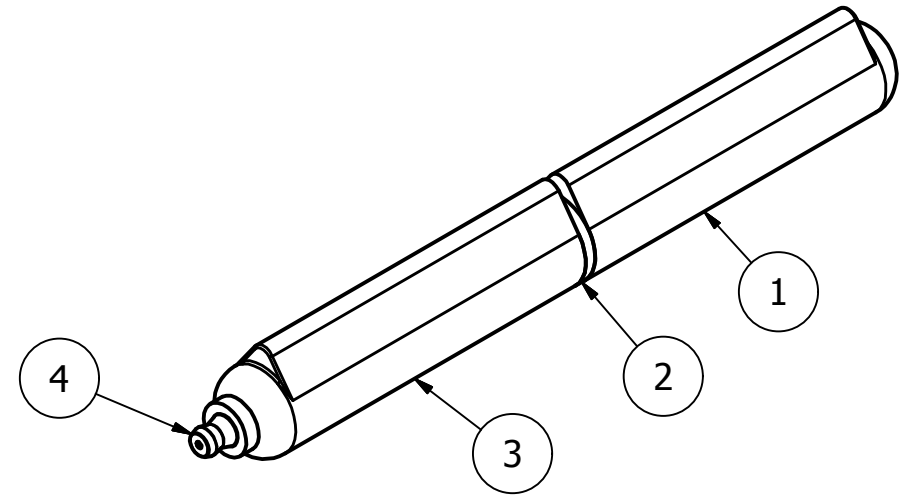
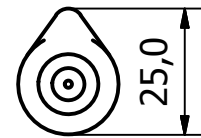
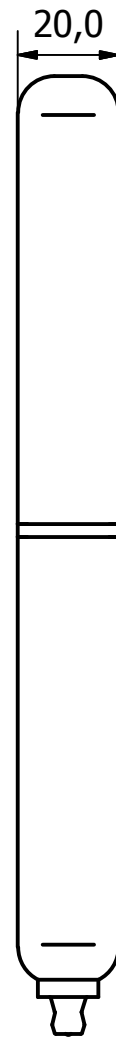


PARTS LIST			
ITEM	QTY	PART NUMBER	DESCRIPTION
1	1	2217-010-1	CARBON STEEL HINGE BASE
2	1	2217-010-2	BRASS BEARING WASHER
3	1	2219-010-1	CARBON STEEL MOUNTING BLOCK
4	1	2219-009-2	SS GREASE NIPPLE



1	VALIDATION COMPLETE	20/01/2017	A.P
REV	DESCRIPTION	DATE	APPROVED

GENERAL TOLERANCES ON LENGTHS
0.5 - 6 ± 0.1mm
6 - 30 ± 0.2mm
30 - 120 ± 0.3mm
120 - 400 ± 0.5mm
400 - 1000 ± 0.8mm
1000 - 1200 ± 1.2mm
2000 - 4000 ± 2.0mm

ALBERT JAGGER LTD
 GREEN LANE
 WALSALL PHONE: 01922 471000
 WEST MIDLANDS FAX: 01922 648021
 WS2 8HG

THIS DRAWING & THE DESIGN SHOWN ARE THE PROPERTY OF ALBERT JAGGER LTD AND MUST NOT BE USED OR COPIED BY A THIRD PARTY WITHOUT PERMISSION

DRAWN BY
 U.F

CHECKED BY
 A.P



SCALE
 1:1.5

MATERIAL
 -

MASS
 0.450 kg

FINISH
 NATURAL

Date
 14/11/2016

ALL DIMS IN MM UNLESS STATED DO NOT SCALE

A3



WELD ON LIFT - OFF HINGE - 190 O/A SS GREASE NIPPLE

2219-010

Edition	Sheet
1	1 / 1