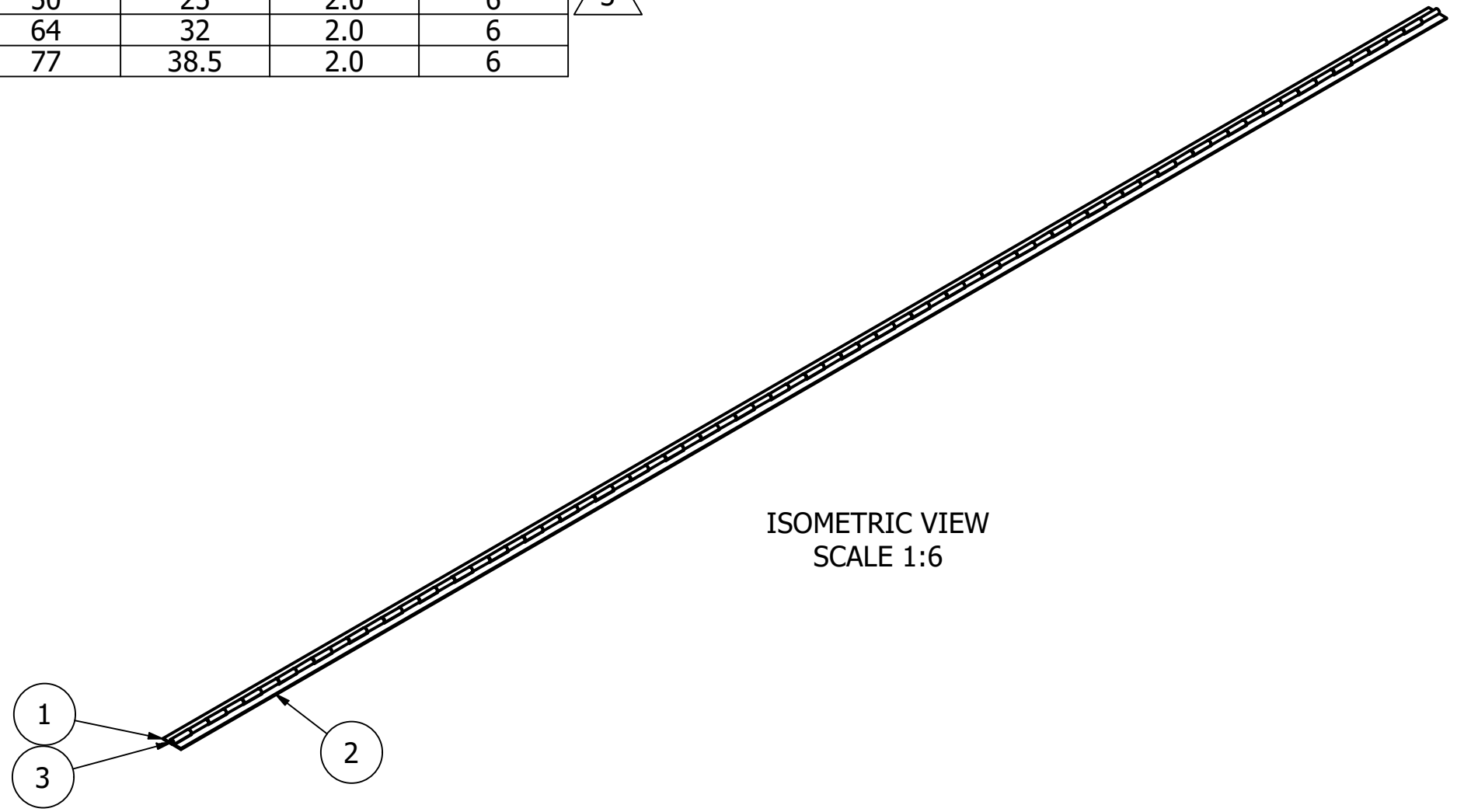
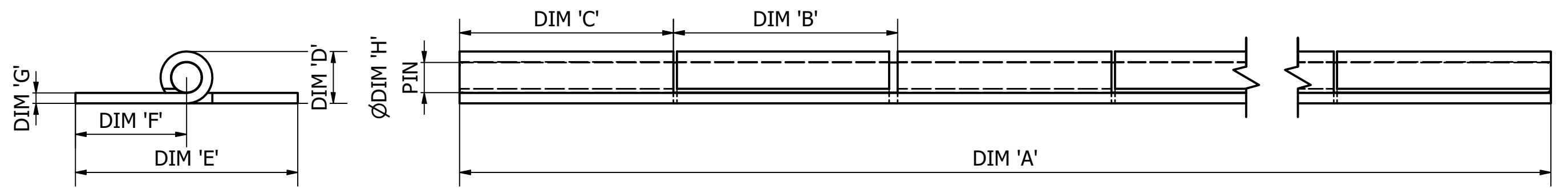


PART No.	DIM 'A'	DIM 'B'	DIM 'C'	DIM 'D'	DIM 'E'	DIM 'F'	DIM 'G'	DIM 'H'
2233/012	1828	26	24.8	6	25.8	12.9	1.2	3.5
2233/020	1828	26	24.8	7	44.0	22.0	1.2	4.5
2233/023	1828	26	24.8	9.1	50.5	25.25	1.5	6
2233/041	1828	26	24.8	7	51	25.5	1.2	4.5
2233/067	1828	51.3	50.3	10.5	50	25	2.0	6
2233/075	1828	51.3	50.3	10.5	64	32	2.0	6
2233/080	1830	51.3	50.4	10	77	38.5	2.0	6

PARTS LIST			
ITEM	QTY	PART NUMBER	DESCRIPTION
1	1	2233-012-1	M/STEEL HINGE FLAP - LH
2	1	2233-012-2	M/STEEL HINGE FLAP - RH
3	1	2233-012-3	M/STEEL HINGE PIN



ISOMETRIC VIEW
SCALE 1:6



REV	DESCRIPTION	DATE	APPROVED
3	UPDATED PIN THICKNESS	15/06/2022	S.R
2	DIMENSIONS UPDATED	01/02/18	A.P
1	VALIDATION COMPLETE	13/04/17	A.P

GENERAL TOLERANCES ON LENGTHS	
0.5 - 6 ± 0.1mm	
6 - 30 ± 0.2mm	
30 - 120 ± 0.3mm	
120 - 400 ± 0.5mm	
400 - 1000 ± 0.8mm	
1000 - 1200 ± 1.2mm	
2000 - 4000 ± 2.0mm	

ALBERT JAGGER LTD
GREEN LANE
WALSALL PHONE: 01922 471000
WEST MIDLANDS FAX: 01922 648021
WS2 8HG

THIS DRAWING & THE DESIGN SHOWN ARE THE PROPERTY OF ALBERT JAGGER LTD AND MUST NOT BE USED OR COPIED BY A THIRD PARTY WITHOUT PERMISSION

DRAWN BY U.F	CHECKED BY A.P	SCALE 2:1	MATERIAL -	MASS 0.742 kg	FINISH NATURAL	Date 24/03/2017	ALL DIMS IN MM UNLESS STATED DO NOT SCALE	A3
albert Jagger							M/STEEL PIANO HINGE - 1828 O/A	
							2233-012	Edition 3