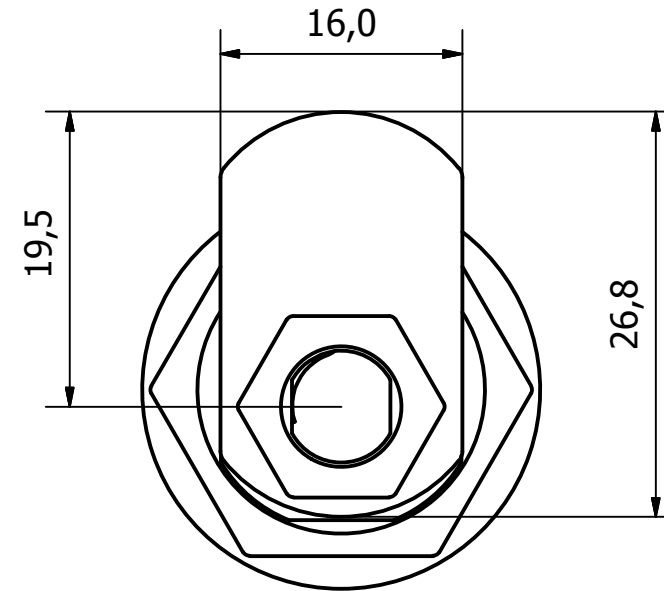
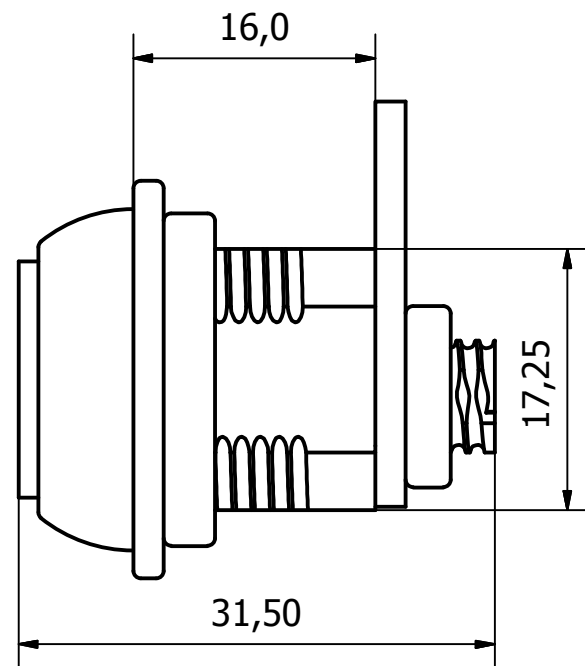
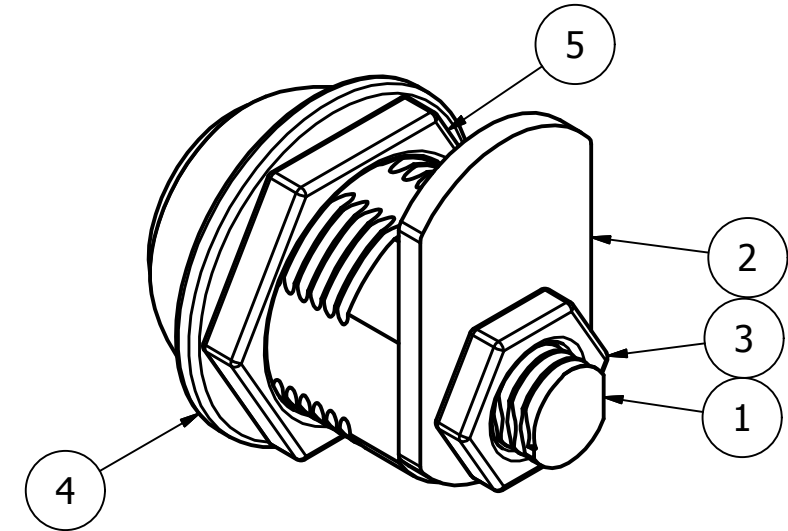
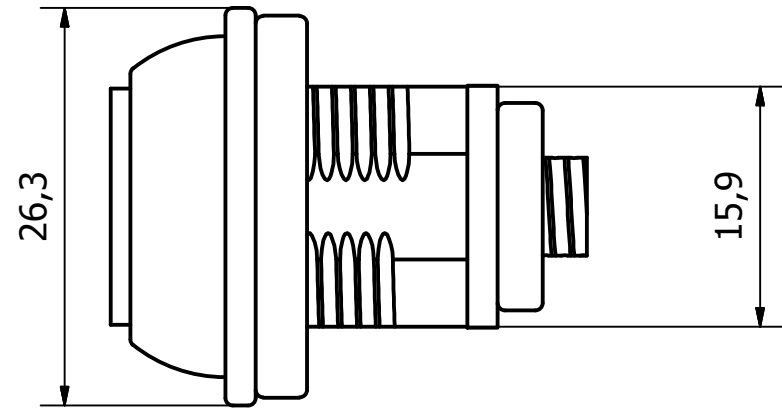


PARTS LIST			
ITEM	QTY	PART NUMBER	DESCRIPTION
1	1	2244-101-1	M/STEEL LOCK BARREL
2	1	2244-101-2	M/STEEL STRAIGHT CAM
3	1	2244-101-3	M/STEEL M8 NUT
4	1	2244-101-4	M/STEEL WASHER - 26.3 O/D
5	1	2244-101-5	M/STEEL HEX NUT - 22 A/F



PART No.	DESCRIPTION
2244/101	RANDOM KEYED
2244/102	KEYED ALIKE

NOTE:

ITEM 1 - CHROME PLATED FINISH
 ITEMS 2,3,4,5 ZINC AND GOLD PASSIIVTED FINISH

GENERAL TOLERANCES ON LENGTHS
0.5 - 6 ± 0.1mm
6 - 30 ± 0.2mm
30 - 120 ± 0.3mm
120 - 400 ± 0.5mm
400 - 1000 ± 0.8mm
1000 - 2000 ± 1.2mm
2000 - 4000 ± 2.0mm

ALBERT JAGGER LTD
 GREEN LANE
 WALSALL PHONE: 01922 471000
 WEST MIDLANDS FAX: 01922 648021
 WS2 8HG

THIS DRAWING & THE DESIGN SHOWN ARE THE PROPERTY OF ALBERT JAGGER LTD AND MUST NOT BE USED OR COPIED BY A THIRD PARTY WITHOUT PERMISSION

DRAWN BY

U.F

CHECKED BY

A.P



SCALE

2 : 1

MATERIAL

-

MASS

0.066 kg

FINISH

SEE NOTE

Date

12/05/2017

ALL DIMS IN MM UNLESS STATED DO NOT SCALE

A3

REV	DESCRIPTION	DATE	APPROVED
1	VALIDATION COMPLETE	27/07/17	A.P

albert **Jagger** M/STEEL COMPARTMENT LOCK - 31.5 O/A
 2244-101 Edition 1 Sheet 1 / 1