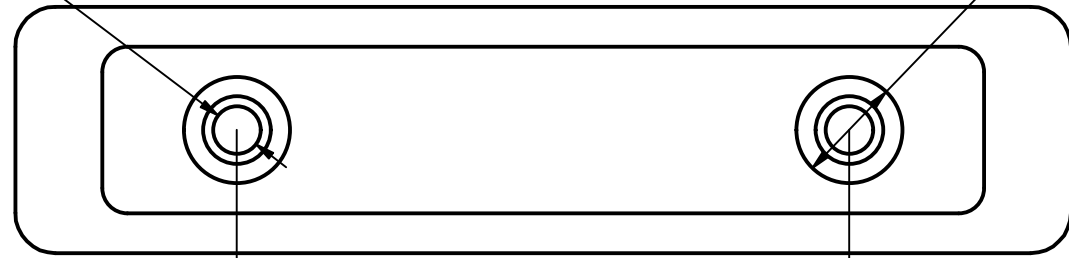


PARTS LIST			
ITEM	QTY	PART NUMBER	DESCRIPTION
1	1	2502-0100-1	SYNTHETIC RUBBER BUFFER BODY - BLACK
2	2	2502-0100-2	M/STEEL SUPPORT PLATE INSERT - Z/C PASSIVATED

2 x Ø9,5 HOLES
THRU ALL

2 x Ø21 ∇ 21,5



121,5

175

3 x Ø18

2 x Ø9,5

27

209,5

35

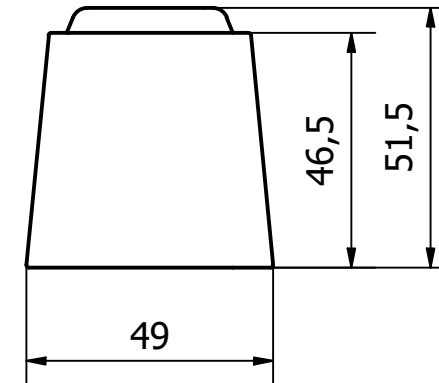
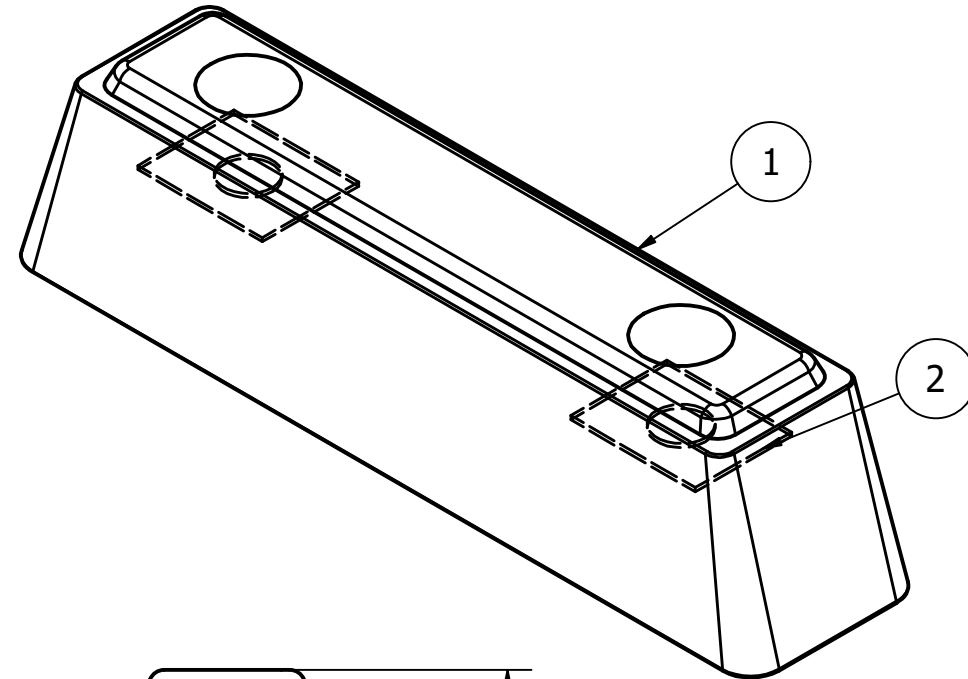
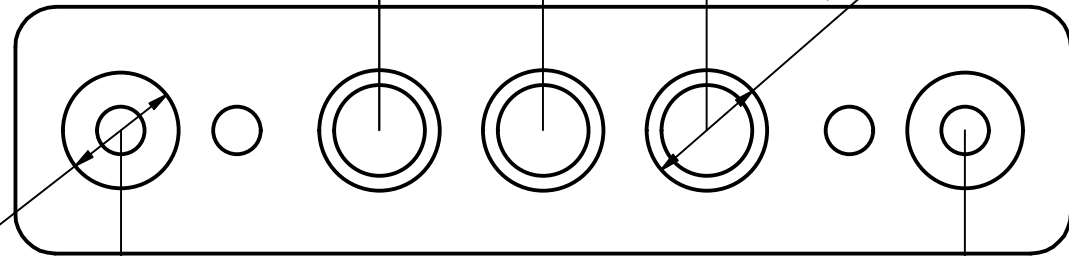
65

32,5

3 x Ø24

167,5

2 x Ø23



1	VALIDATION COMPLETE	19/10/20	A.P
REV	DESCRIPTION	DATE	APPROVED


GENERAL TOLERANCES ON LENGTHS	
0.5 - 6 ± 0.1mm	
6 - 30 ± 0.2mm	
30 - 120 ± 0.3mm	
120 - 400 ± 0.5mm	
400 - 1000 ± 0.8mm	
1000 - 2000 ± 1.2mm	
2000 - 4000 ± 2.0mm	

ALBERT JAGGER LTD
GREEN LANE
WALSALL PHONE: 01922 471000
WEST MIDLANDS FAX: 01922 648021
WS2 8HG

THIS DRAWING & THE DESIGN SHOWN
ARE THE PROPERTY OF ALBERT JAGGER LTD
AND MUST NOT BE USED OR COPIED BY A
THIRD PARTY WITHOUT PERMISSION

DRAWN BY	CHECKED BY	THIRD ANGLE PROJECTION
U.F	A.P	

SCALE	MATERIAL	MASS	FINISH	Date	ALL DIMS IN MM UNLESS STATED DO NOT SCALE
2 : 3	SEE TABLE	0.350 kg	SEE TABLE	15/10/2020	


HEAVY DUTY RUBBER IMPACT BUFFER
 2502-0100

Edition	Sheet
1	1 / 1