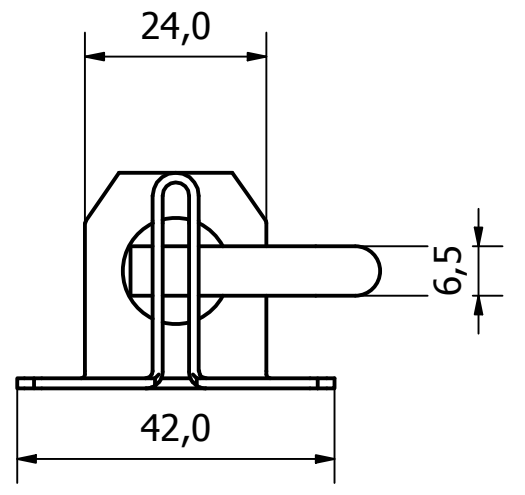
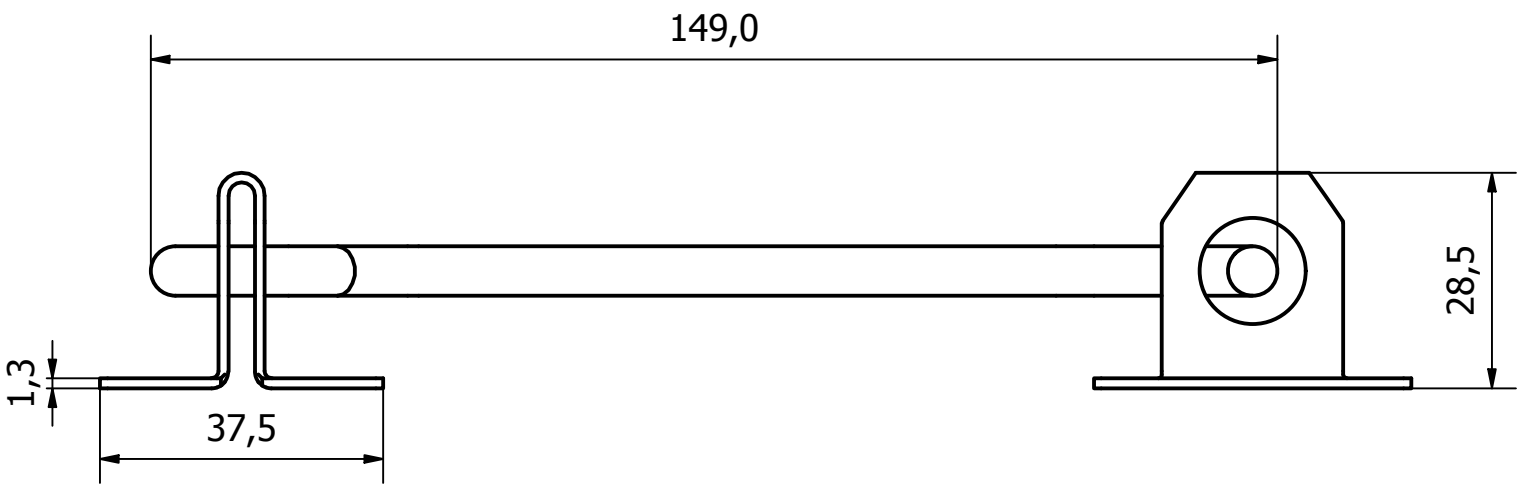
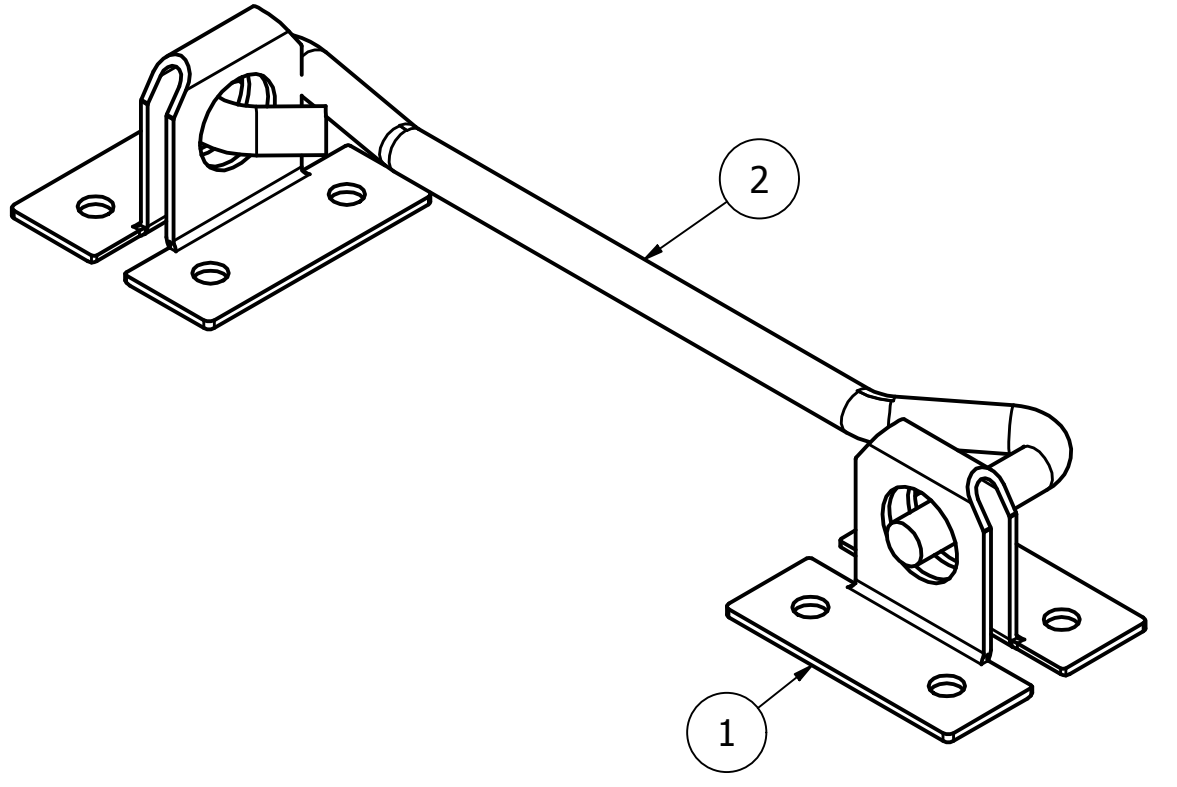
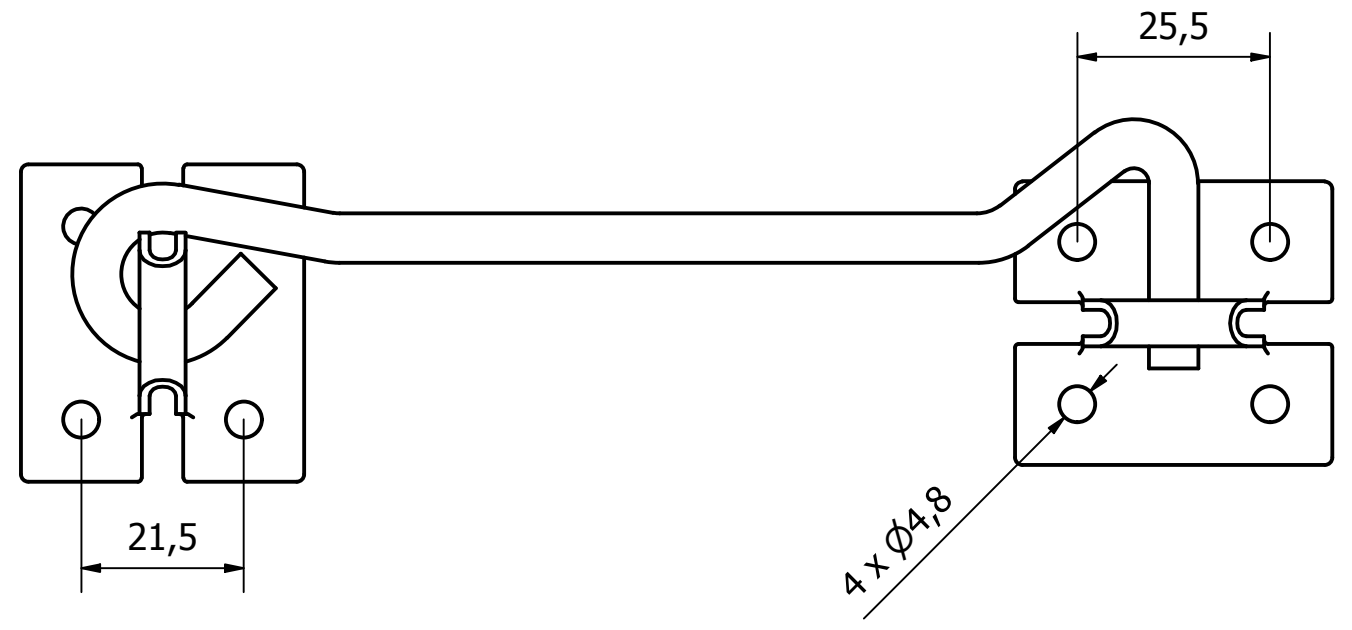


PARTS LIST			
ITEM	QTY	PART NUMBER	DESCRIPTION
1	2	2682-106-1	M/STEEL RETAINER BODY
2	1	2682-106-2	M/STEEL RETAINER HOOK BODY



1	VALIDATION COMPLETE	15/02/19	A.P
REV	DESCRIPTION	DATE	APPROVED
U.F	A.P	30/01/2019	A3

GENERAL TOLERANCES ON LENGTHS 0.5 - 6 ± 0.1mm 6 - 30 ± 0.2mm 30 - 120 ± 0.3mm 120 - 400 ± 0.5mm 400 - 1000 ± 0.8mm 1000 - 2000 ± 1.2mm 2000 - 4000 ± 2.0mm
--

ALBERT JAGGER LTD  
 GREEN LANE  
 WALSALL PHONE: 01922 471000  
 WEST MIDLANDS FAX: 01922 648021  
 WS2 8HG

THIS DRAWING & THE DESIGN SHOWN  
 ARE THE PROPERTY OF ALBERT JAGGER LTD  
 AND MUST NOT BE USED OR COPIED BY A  
 THIRD PARTY WITHOUT PERMISSION

DRAWN BY  
U.F

CHECKED BY  
A.P

SCALE  
1 : 1

MATERIAL  
SEE TABLE

MASS  
0.100 kg

FINISH  
BLACK  
JAPPANED



6" CABIN HOOK DOOR RETAINER - BLACK

2682-106

Edition  
1

Sheet  
1 / 1