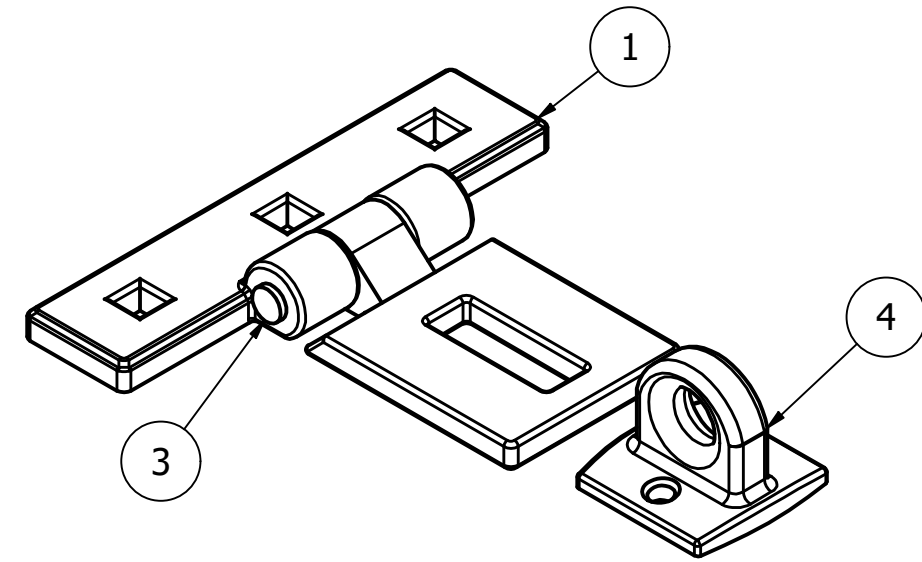
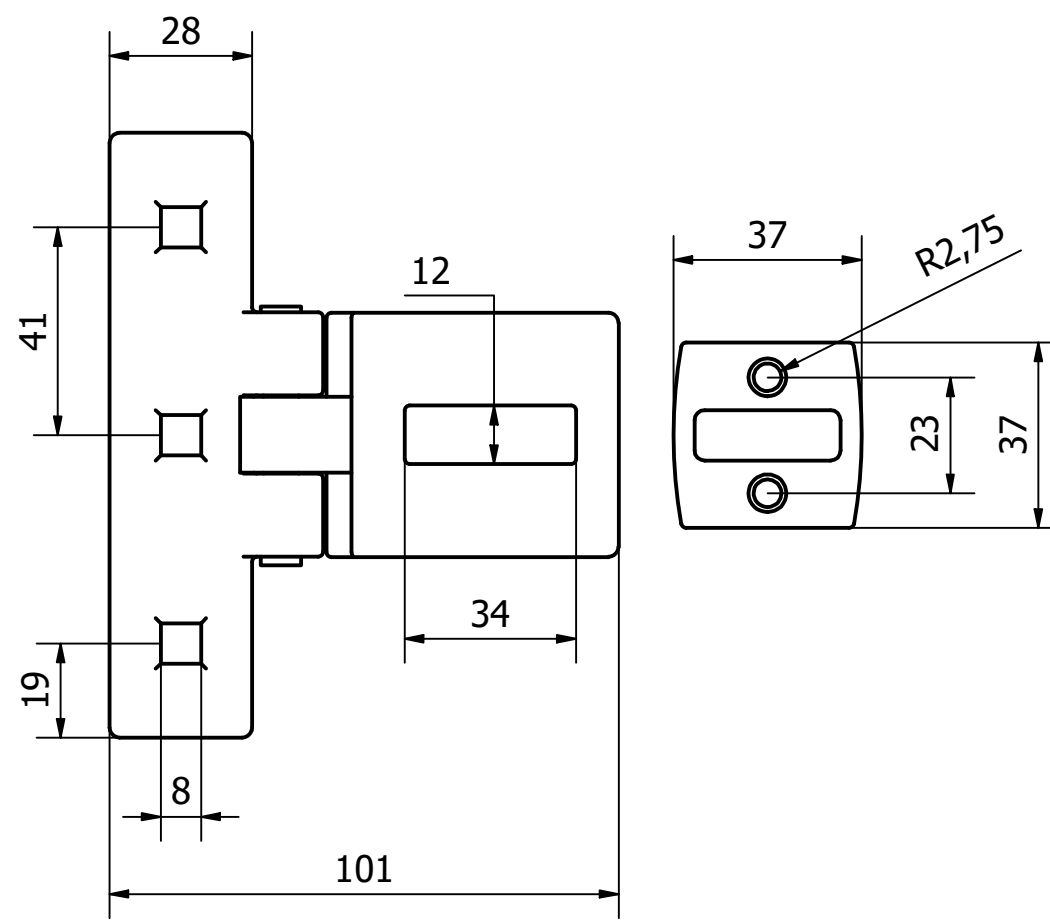
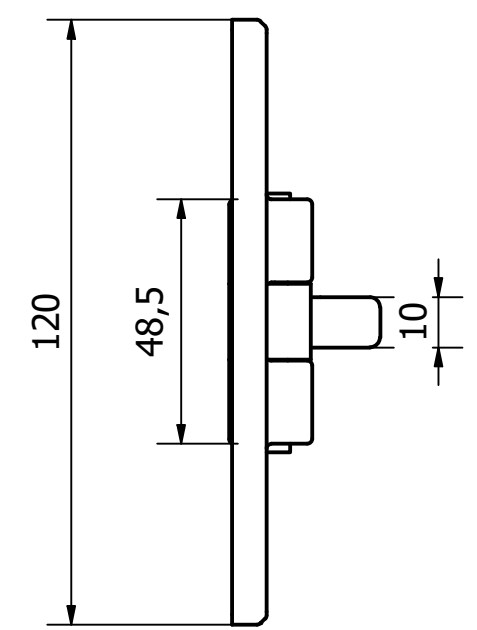
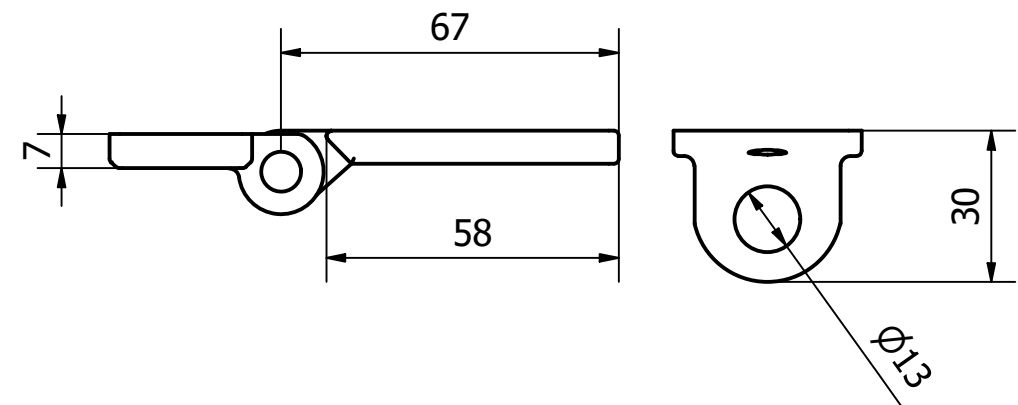


6 5 4 3 2 1

D D C C B B A A

PARTS LIST			
ITEM	QTY	PART NUMBER	DESCRIPTION
1	1	2950-003-3	CAST IRON - HASP BODY-BLACK PAINTED
2	1	2950-003-2	CAST IRON- STAPLE BODY -BLACK PAINTED
3	1	2950-003-4	CAST IRON- RIVIT PIN - BLACK PAINTED
4	1	2950-003-1	CAST IRON- PADLOCK LOOP-BLACK PAINTED



1	VALIDATION COMPLETE	09/12/21	C.H
REV	DESCRIPTION	DATE	APPROVED

GENERAL TOLERANCES ON LENGTHS

0.5 - 6 ± 0.1mm
6 - 30 ± 0.2mm
30 - 120 ± 0.3mm
120 - 400 ± 0.5mm
400 - 1000 ± 0.8mm
1000 - 2000 ± 1.2mm
2000 - 4000 ± 2.0mm

ALBERT JAGGER LTD
 GREEN LANE
 WALSALL PHONE: 01922 471000
 WEST MIDLANDS FAX: 01922 648021
 WS2 8HG

THIS DRAWING & THE DESIGN SHOWN ARE THE PROPERTY OF ALBERT JAGGER LTD AND MUST NOT BE USED OR COPIED BY A THIRD PARTY WITHOUT PERMISSION

DRAWN BY	CHECKED BY	THIRD ANGLE PROJECTION
S.R	C.H	



SCALE	MATERIAL	MASS	FINISH	Date	ALL DIMS IN MM UNLESS STATED DO NOT SCALE	A3
1 : 1.5	SEE TABLE	0.413 kg	SEE TABLE	06/12/2021		
CAST STEEL HASP & STAPLE						
2950-003					Edition	Sheet
					1	1 / 1

6 5 4 3 2 1