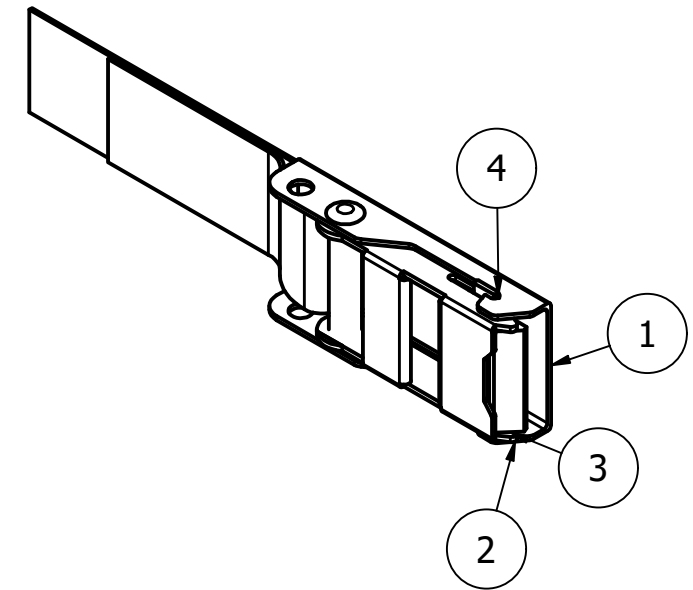
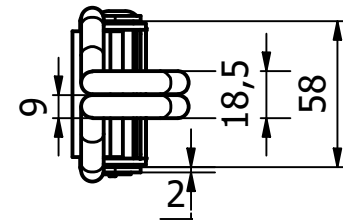
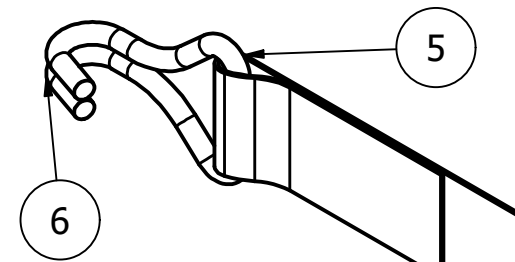
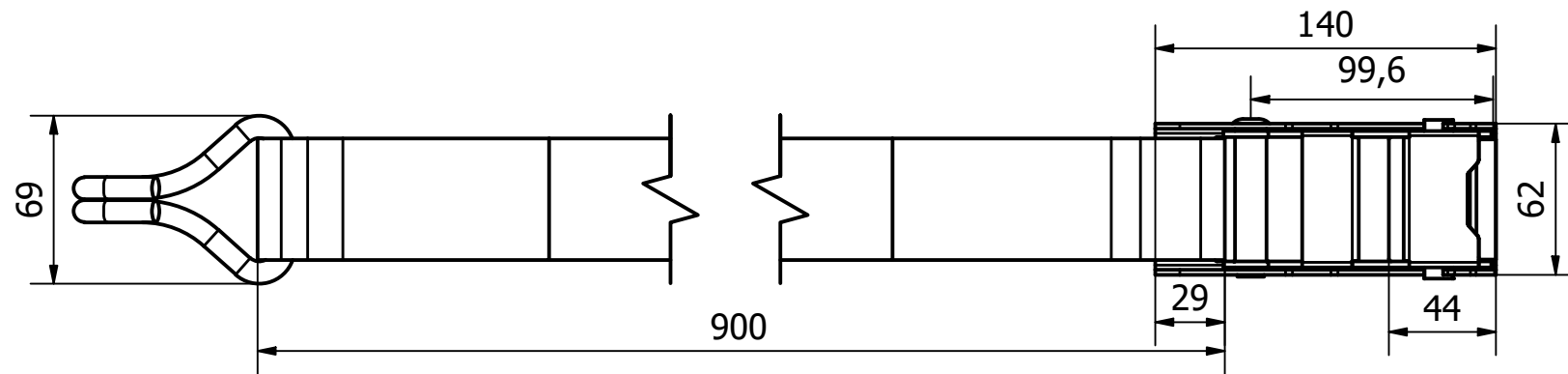
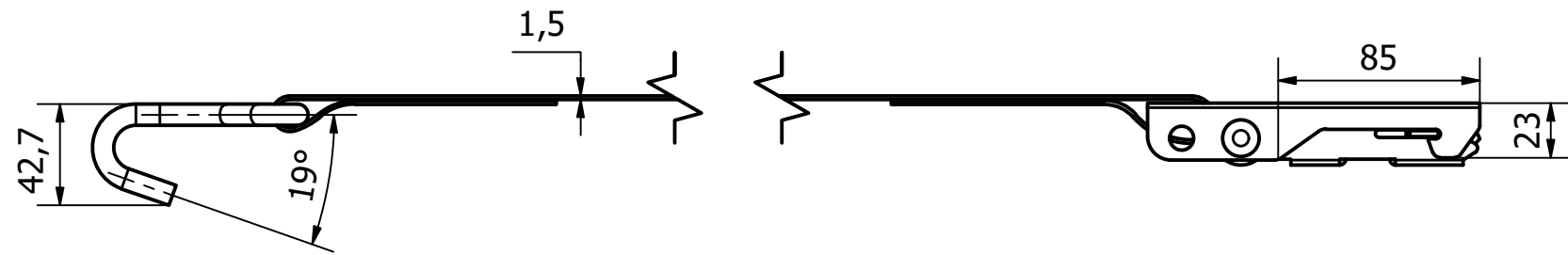
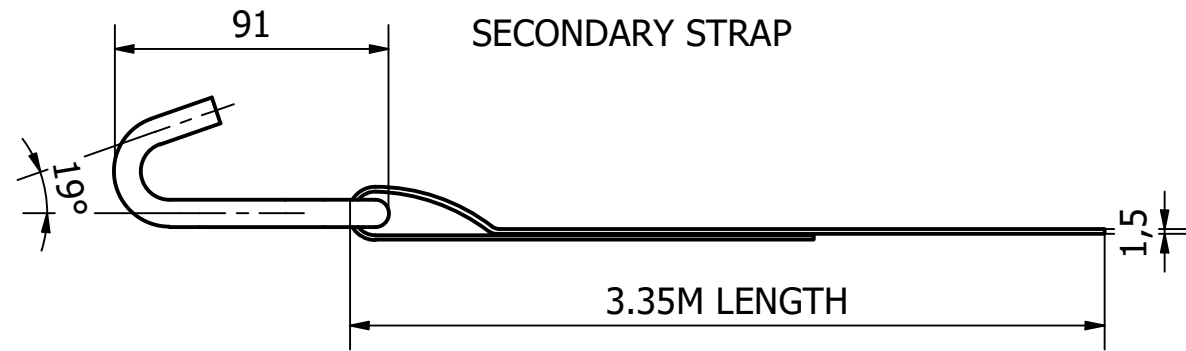


PARTS LIST			
ITEM	QTY	PART NUMBER	DESCRIPTION
1	1	3000-5332-1	M/STEEL- BUCKLE BODY- Z/C PASSIVATE
2	1	3000-5332-2	M/STEEL - BUCKLE HANDLE-Z/C PASSIVATE
3	1	3000-5332-3	M/STEEL-PUSH RELEASE BUTTON-Z/C PASSIVATE
4	1	3000-5332-4	M/STEEL- LOCKING BAR-Z/C PASSIVATE
5	1	3000-5332-5	POLYESTER WEBBED STRAP-RED
6	1	3000-5332-6	M/STEEL-CLAW HOOK-Z/C PASSIVATE



NOTE:

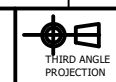
FIXED END LGF: 900MM
 ADJUST END LGL: 3.35M
 OVERALL LENGTH 4.25M
 LASHING CAPACITY: 10000N
 BREAK FORCE MIN: 20000N
 MANUFACTURED IN ACCORDANCE WITH : BS EN12195-2:2001
 NOT TO BE USED FOR LIFTING

GENERAL TOLERANCES ON LENGTHS
0.5 - 6 ± 0.1mm
6 - 30 ± 0.2mm
30 - 120 ± 0.3mm
120 - 400 ± 0.5mm
400 - 1000 ± 0.8mm
1000 - 2000 ± 1.2mm
2000 - 4000 ± 2.0mm

ALBERT JAGGER LTD
 GREEN LANE
 WALSALL PHONE: 01922 471000
 WEST MIDLANDS FAX: 01922 648021
 WS2 8HG
 THIS DRAWING & THE DESIGN SHOWN ARE THE PROPERTY OF ALBERT JAGGER LTD AND MUST NOT BE USED OR COPIED BY A THIRD PARTY WITHOUT PERMISSION

DRAWN BY
S.R

CHECKED BY
C.H



SCALE
1 : 3

MATERIAL
SEE TABLE

MASS
0.624 kg

FINISH
SEE TABLE

Date
28/02/2022

ALL DIMS IN MM UNLESS STATED DO NOT SCALE

A3



HEAVY DUTY INTERNAL BOX VEHICLE STRAP		3000-5332		Edition 1		Sheet 1 / 1	
---------------------------------------	--	-----------	--	-----------	--	-------------	--

1	VALIDATION COMPLETE	01/03/2022	C.H
REV	DESCRIPTION	DATE	APPROVED