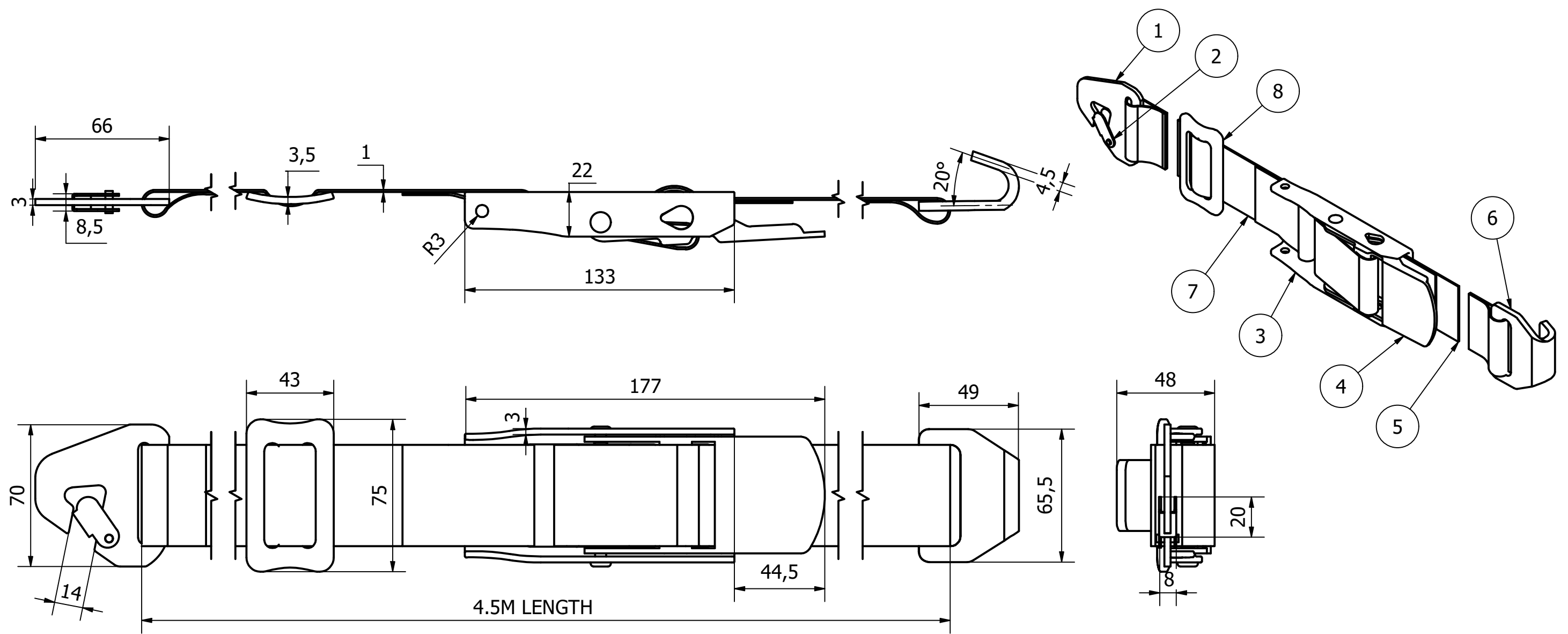


PARTS LIST			
ITEM	QTY	PART NUMBER	DESCRIPTION
1	1	3000-5450-2	M/STEEL - SNAP HOOK- Z/C PASSIVATE
2	1	3000-5450-3	M/STEEL- SNAP HOOK LATCH- Z/C PASSIVATE
3	1	3000-5450-5	M/STEEL- BUCKLE BODY- Z/C PASSIVATE
4	1	3000-5450-4	M/STEEL- BUCKLE HANDLE- Z/C PASSIVATE
5	1	3000-5450-6	POLYPROPYLENE WEBBED STRAP- BLACK
6	1	3000-5450-1	M/STEEL- COMBI HOOK-Z/C PASSIVATE
7	1	3000-5450-7	POLYPROPYLENE WEBBED STRAP- BLACK
8	1	3000-5450-8	M/STEEL- STRAP ADJUSTER- Z/C PASSIVATE



NOTE:  
 LASHING CAPACITY LC - 3500N  
 MINIMUM BREAKING FORCE 7000N  
 WEB TYPE: POLYPROPYLENE  
 MANUFACTURED IN ACCORDANCE WITH: BS EN12195-2: 2001  
 (NOT TO BE USED FOR LIFTING)

GENERAL TOLERANCES ON LENGTHS
0.5 - 6 ± 0.1mm
6 - 30 ± 0.2mm
30 - 120 ± 0.3mm
120 - 400 ± 0.5mm
400 - 1000 ± 0.8mm
1000 - 2000 ± 1.2mm
2000 - 4000 ± 2.0mm

ALBERT JAGGER LTD  
 GREEN LANE  
 WALSALL WEST MIDLANDS WS2 8HG  
 PHONE: 01922 471000  
 FAX: 01922 648021  
 THIS DRAWING & THE DESIGN SHOWN ARE THE PROPERTY OF ALBERT JAGGER LTD AND MUST NOT BE USED OR COPIED BY A THIRD PARTY WITHOUT PERMISSION

DRAWN BY: S.R.  
 CHECKED BY: C.H.  
 THIRD ANGLE PROJECTION

1	VALIDATION COMPLETE	01/03/2022	C.H
REV	DESCRIPTION	DATE	APPROVED
SCALE	MATERIAL	MASS	FINISH
1:2	SEE TABLE	0.681 kg	SEE TABLE
Date	ALL DIMS IN MM UNLESS STATED DO NOT SCALE		A3
23/02/2022			
LIGHT DUTY INTERNAL CURTAINSIDE STRAP			
3000-5450		Edition	Sheet
		1	1 / 1