

PANEL CUT OUT DETAIL

4 x R3

2

35^{+0,0}
-0,5

90^{+0,0}
-0,5

109,2

23

GRIP RANGE

23,5

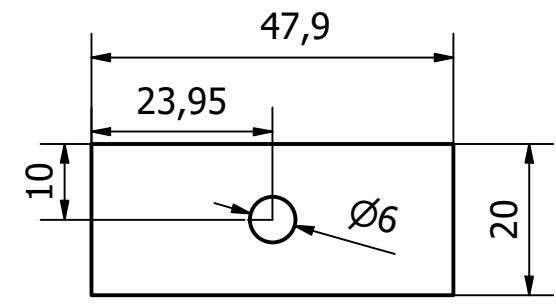
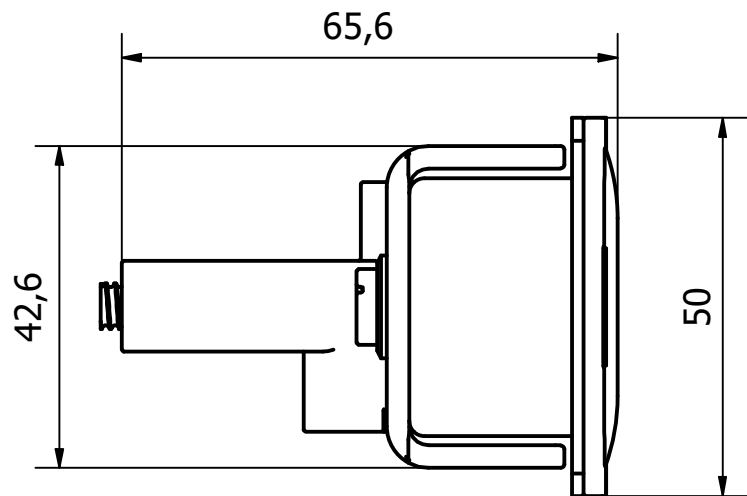
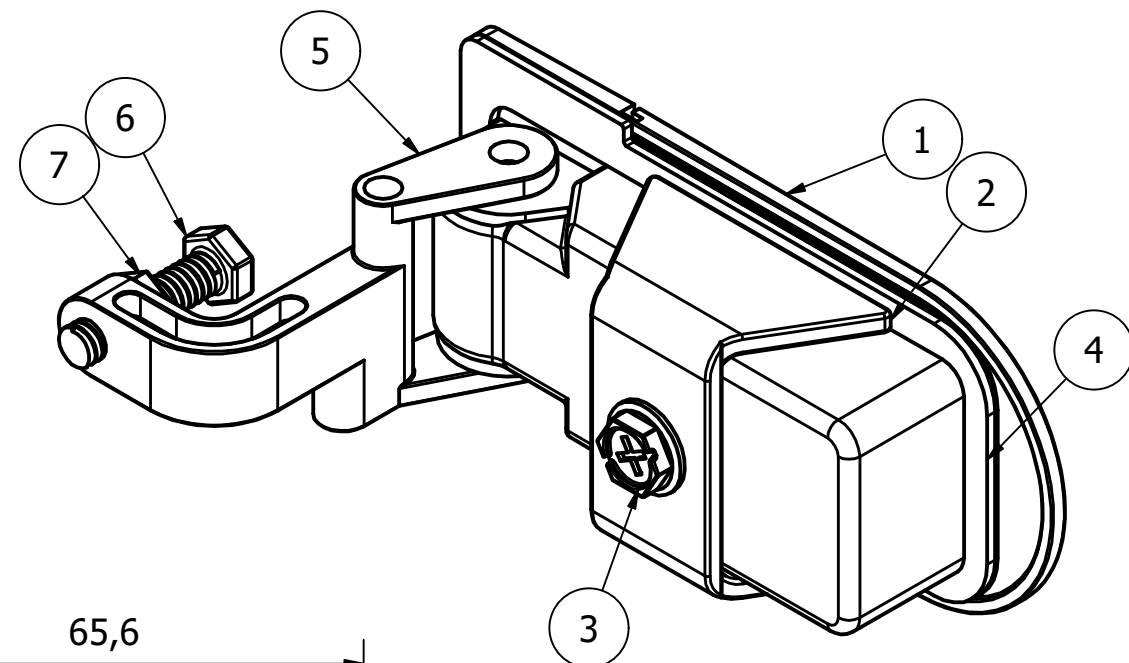
22

64,1

12

125

PARTS LIST			
ITEM	QTY	PART NUMBER	DESCRIPTION
1	1	3805-BL45-1	P/C BLACK ZINC DIECAST LOCK BODY ASSEMBLY
2	1	3805-BL45-2	M/STEEL LOCK CLAMP - Z/C PASSIVATE
3	1	3805-BL45-3	M/STEEL CLAMP SCREW - Z/C PASSIVATE
4	1	3805-BL45-4	BLACK RUBBER LOCK GASKET
5	1	3805-BL45-5	ZINC LOCK STRIKER - NATURAL
6	1	3805-BL45-6	S/STEEL M6 x 25mm BOLT - NATURAL
7	1	3805-BL45-7	S/STEEL M6 HEX NUT - NATURAL



ADDITIONAL CLAMPING PLATE

NOTE:

LOCKABLE - SUPPLIED WITH TWO KEYS AND ADDITIONAL CLAMPING PLATE. UTILISES A PUSH BUTTON RELEASE

GRIP RANGE - 29-45mm

GENERAL TOLERANCES ON LENGTHS
0.5 - 6 ± 0.1mm
6 - 30 ± 0.2mm
30 - 120 ± 0.3mm
120 - 400 ± 0.5mm
400 - 1000 ± 0.8mm
1000 - 2000 ± 1.2mm
2000 - 4000 ± 2.0mm

ALBERT JAGGER LTD
GREEN LANE
WALSALL PHONE: 01922 471000
WEST MIDLANDS FAX: 01922 648021
WS2 8HG

THIS DRAWING & THE DESIGN SHOWN ARE THE PROPERTY OF ALBERT JAGGER LTD AND MUST NOT BE USED OR COPIED BY A THIRD PARTY WITHOUT PERMISSION

DRAWN BY
U.F

CHECKED BY
A.P



SCALE
1 : 1

MATERIAL
-

MASS
N/A

FINISH
SEE TABLE

Date
05/06/2017

ALL DIMS IN MM UNLESS STATED DO NOT SCALE

A3



LOCKABLE TRIGGER LATCH C/W GASKET AND TWO KEYS

3805-BL45

Edition
2

Sheet
1 / 1