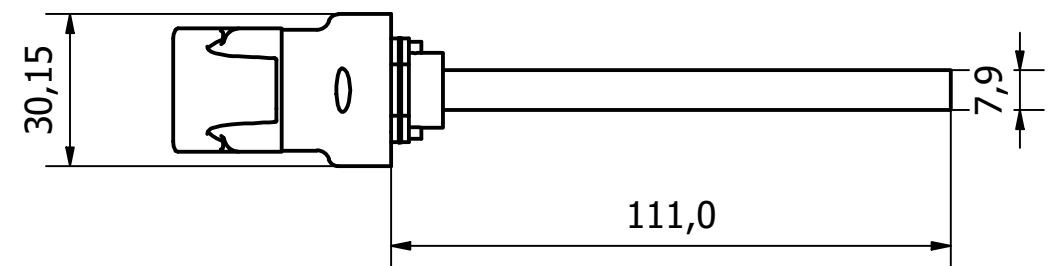
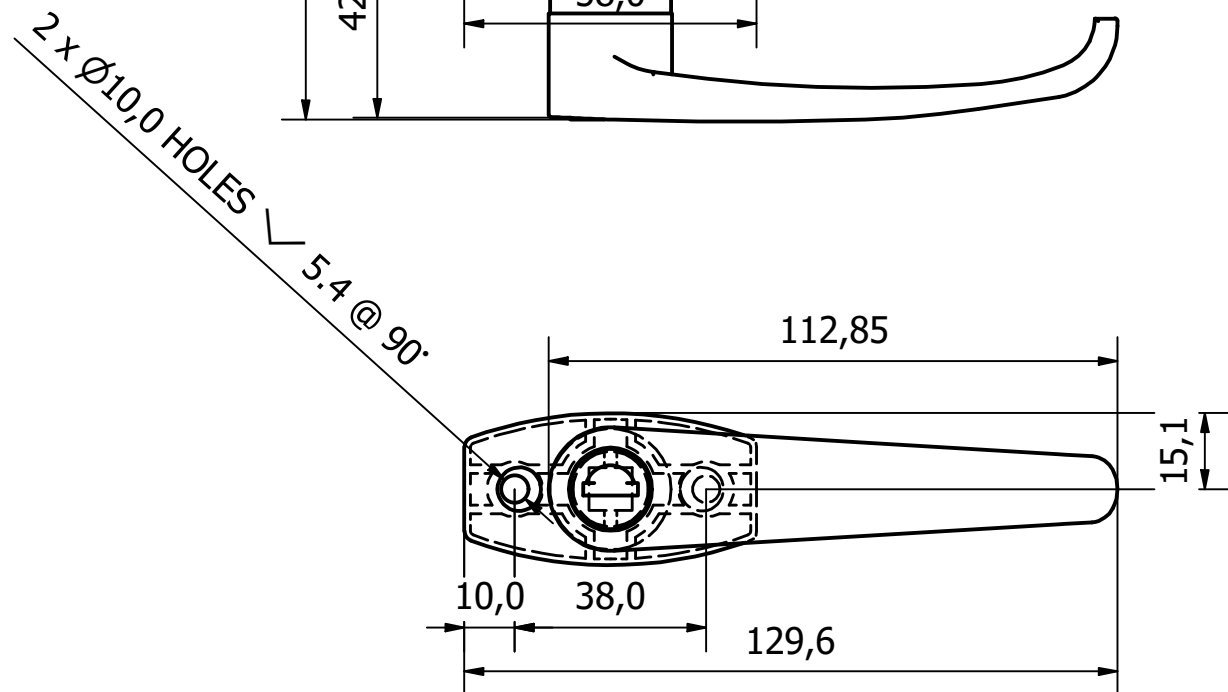
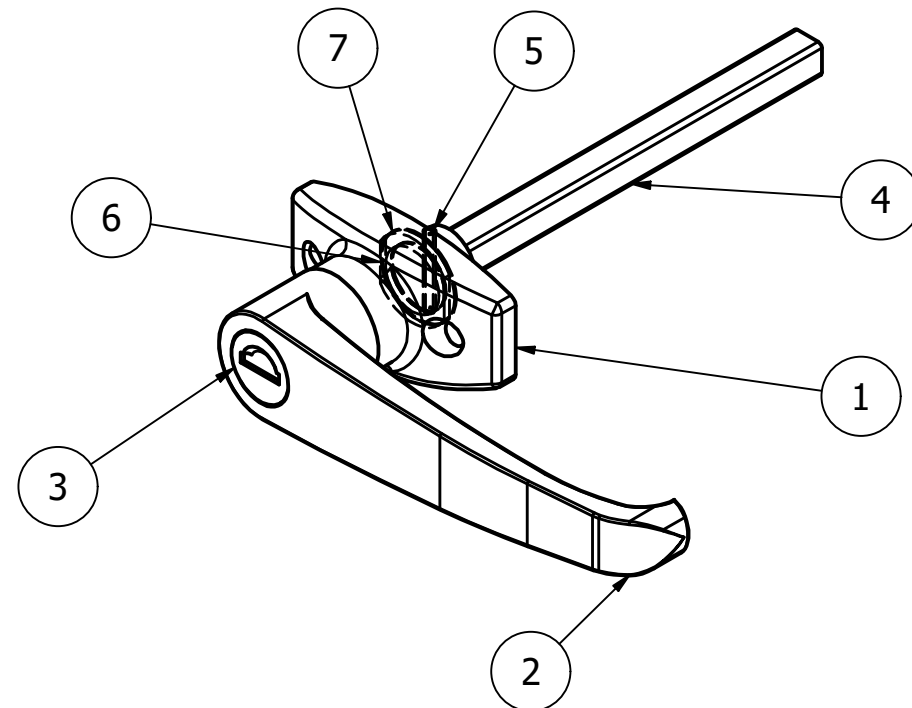
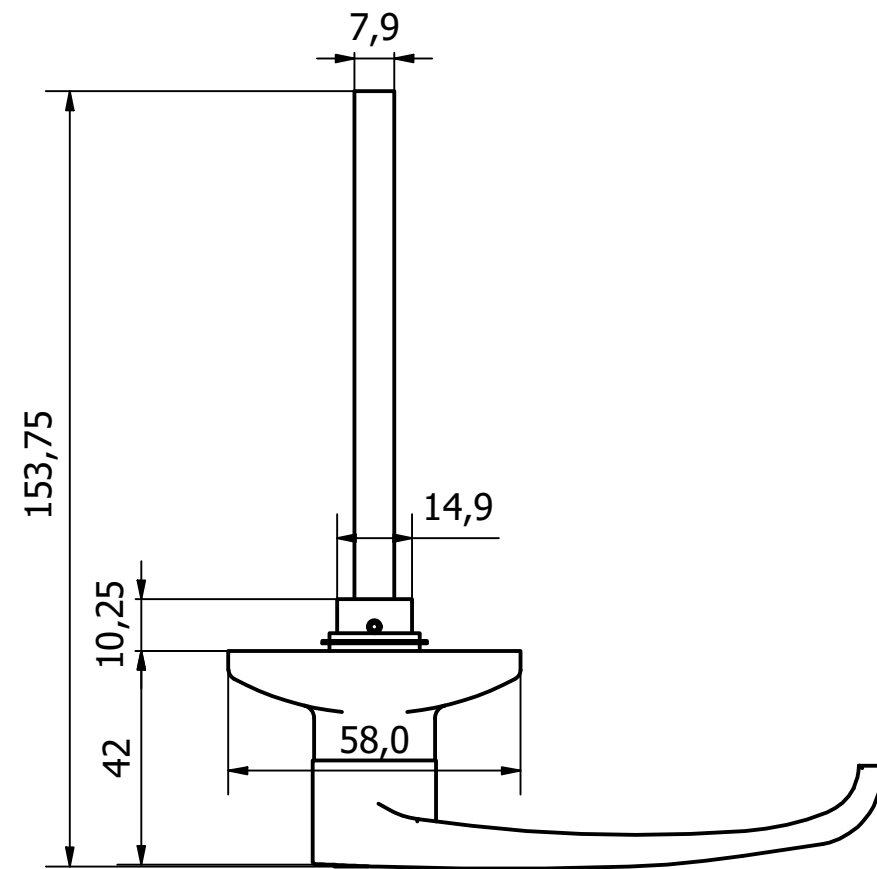


PARTS LIST			
ITEM	QTY	PART NUMBER	DESCRIPTION
1	1	4222-202-1	ZINC DIECAST HANDLE MOUNTING BODY - CHROME POLISHED
2	1	4222-202-2	ZINC DIECAST LEVER - CHROME POLISHED
3	1	4222-202-3	M/STEEL LOCK BARREL - Z/C PASSIVATE
4	1	4222-202-4	M/STEEL SQUARE LEVER CONNECTING BARREL - Z/C PASSIVATE
5	1	4222-202-5	S/STEEL RETAINING PIN - NATURAL
6	2	4222-202-6	M/STEEL 20.6mm DIA WASHER 17.9MM A/F - Z/C PASSIVATE
7	1	4222-202-7	M/STEEL 20.8mm DIA WAVEY WASHER - CHEMICALLY BLACKENED



NOTE:

360° ROTATION, NO STOPS AND NOT SPRING LOADED. MATCHING 'T' HANDLE - 5224.

LOCKING (RANDOM KEYS) -38mm HOLE CENTERS.

PRODUCT COMES WITH TWO WAVEY OR DIA 17.9mm WASHERS DEPENDING ON LOCKS FITTINGS

GENERAL TOLERANCES ON LENGTHS
0.5 - 6 ± 0.1mm
6 - 30 ± 0.2mm
30 - 120 ± 0.3mm
120 - 400 ± 0.5mm
400 - 1000 ± 0.8mm
1000 - 2000 ± 1.2mm
2000 - 4000 ± 2.0mm

ALBERT JAGGER LTD  
 GREEN LANE  
 WALSALL PHONE: 01922 471000  
 WEST MIDLANDS FAX: 01922 648021  
 WS2 8HG  
 THIS DRAWING & THE DESIGN SHOWN ARE THE PROPERTY OF ALBERT JAGGER LTD AND MUST NOT BE USED OR COPIED BY A THIRD PARTY WITHOUT PERMISSION

DRAWN BY  
S.R

CHECKED BY  
C.H



SCALE  
1:1.5

MATERIAL  
SEE TABLE

MASS  
0.241 kg

FINISH  
SEE TABLE

Date  
23/09/2021

ALL DIMS IN MM UNLESS STATED DO NOT SCALE

A3

1	VALIDATION COMPLETE	28/09/21	C.H
REV	DESCRIPTION	DATE	APPROVED



CHROME LEVER HANDLE - 4222 SERIES  
 4222-202  
 Edition 1  
 Sheet 1 / 1