

6 1 5 1 4 3 1 2 1 1

D

D

C

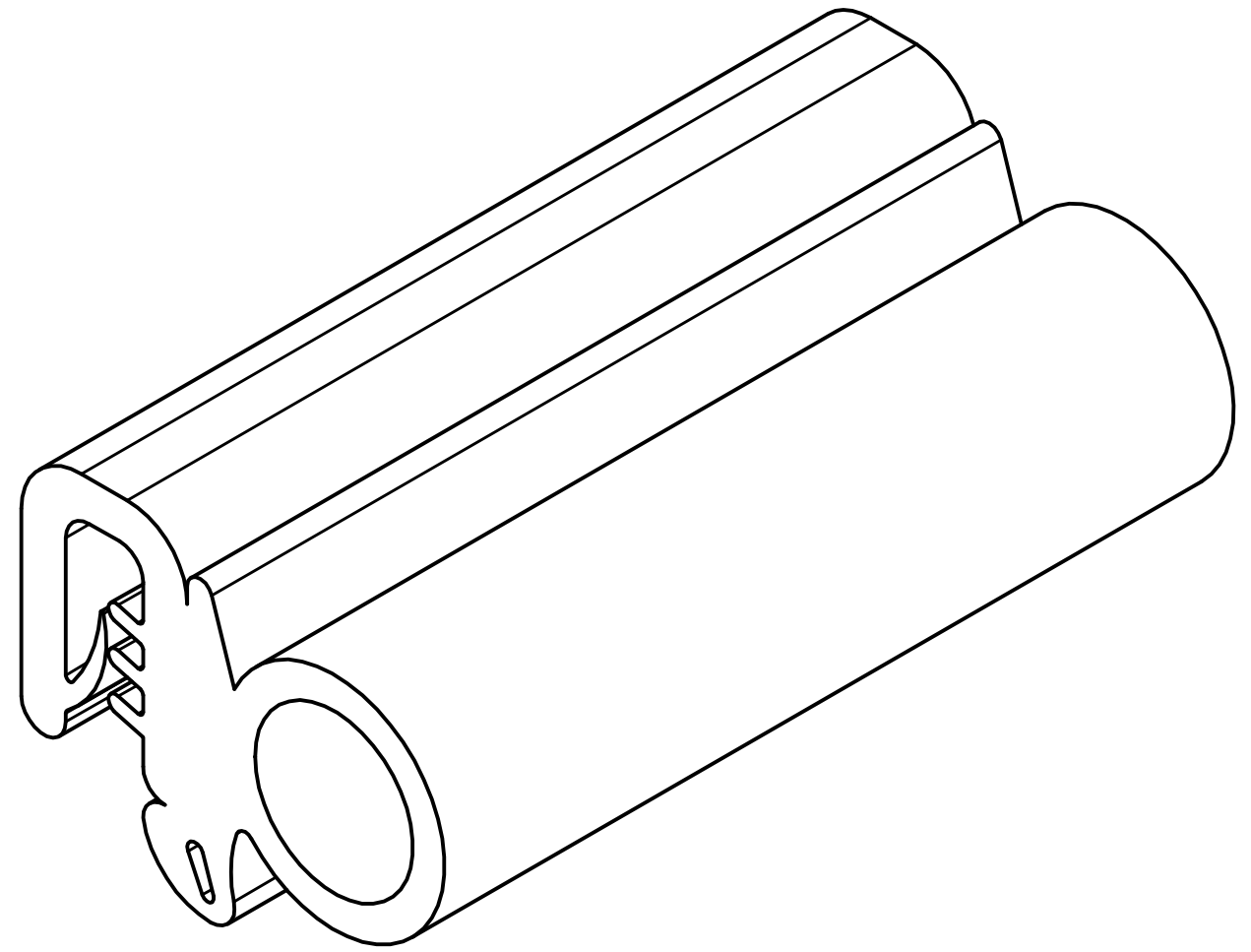
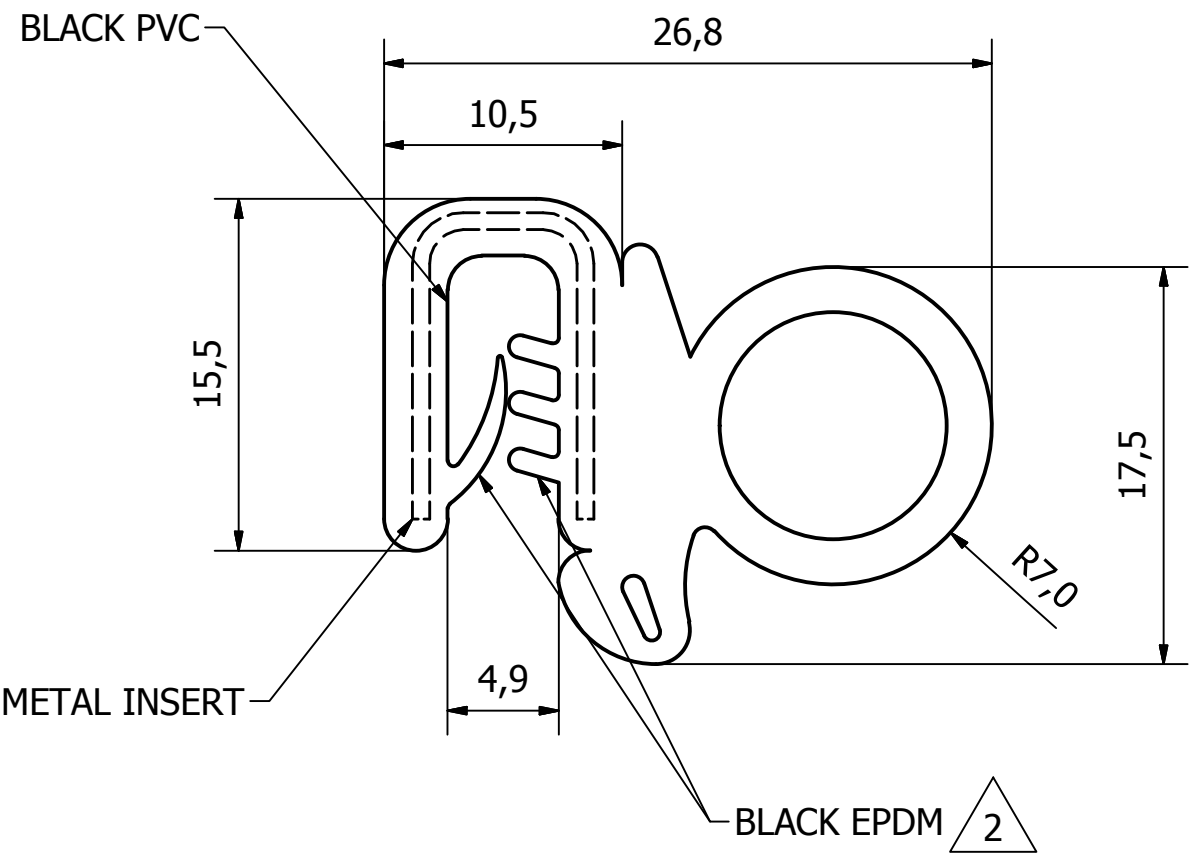
C

B

B

A

A



MATERIAL	SURFACE TREATMENT
PVC - SP-249 BLACK	HARDNESS - 75 +/- 5A
EPDM - BLACK	HARDNESS - 75 +/- 5A
EPDM SPONGE - 604	SP. GRAVITY - 0.55 +/- 0.05
METAL INSERT - 29 ST	HARDNESS - 135~145 VPN

NOTE:
GRIP RANGE - 2.0 - 3.0mm

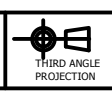
GENERAL TOLERANCES ON LENGTHS
0.5 - 6 ± 0.1mm
6 - 30 ± 0.2mm
30 - 120 ± 0.3mm
120 - 400 ± 0.5mm
400 - 1000 ± 0.8mm
1000 - 2000 ± 1.2mm
2000 - 4000 ± 2.0mm

ALBERT JAGGER LTD
GREEN LANE
WALSALL PHONE: 01922 471000
WEST MIDLANDS FAX: 01922 648021
WS2 8HG

THIS DRAWING & THE DESIGN SHOWN
ARE THE PROPERTY OF ALBERT JAGGER LTD
AND MUST NOT BE USED OR COPIED BY A
THIRD PARTY WITHOUT PERMISSION

DRAWN BY
U.F

CHECKED BY
A.P



SCALE
3 : 1

MATERIAL
SEE TABLE

MASS
-

FINISH
BLACK

Date
22/09/2017

ALL DIMS IN MM
UNLESS STATED
DO NOT SCALE

A3

REV	DESCRIPTION	DATE	APPROVED
2	MATERIAL CHANGED	18/09/18	U.F
1	VALIDATION COMPLETE	27/09/17	A.P



50m ROLL DRAFT EXCLUDER	
4855-002	Edition 2 / Sheet 1 / 1

6 1 5 1 4 3 1 2 1 1