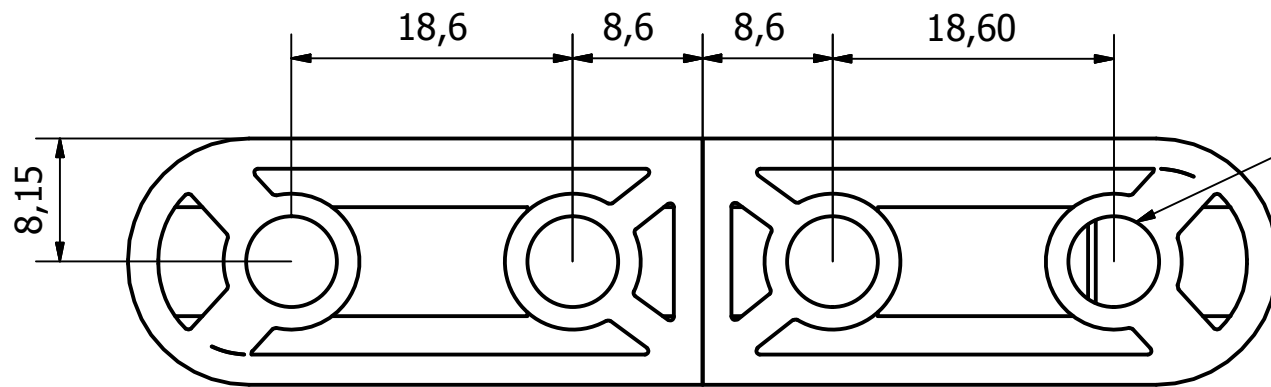
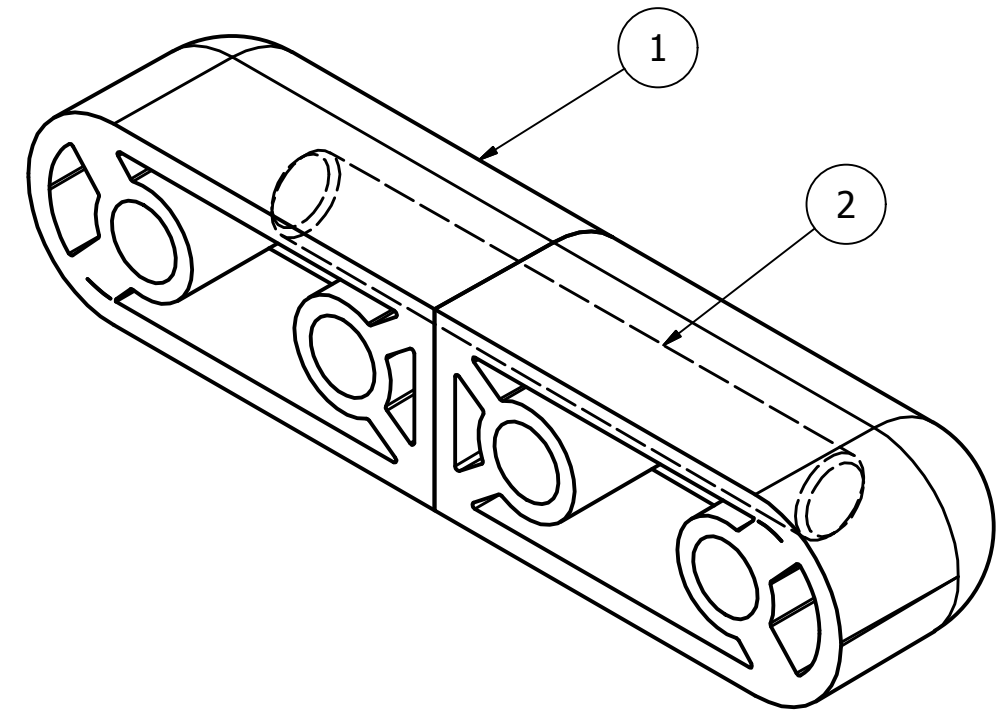
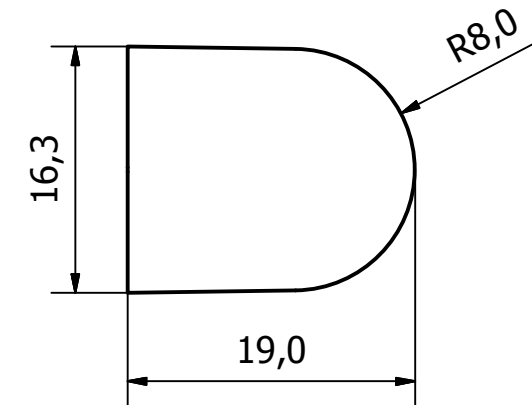


PARTS LIST			
ITEM	QTY	PART NUMBER	DESCRIPTION
1	2	5589-096-1	DIE CAST ZINC HINGE BODY
2	1	5589-096-2	SS HINGE PIN - 50 O/A



4 x M6 TAPED HOLES



PART No	FINISH
5589/096	SELF COLOUR
5589/104	CHROME PLATED

GENERAL TOLERANCES ON LENGTHS
0.5 - 6 ± 0.1mm
6 - 30 ± 0.2mm
30 - 120 ± 0.3mm
120 - 400 ± 0.5mm
400 - 1000 ± 0.8mm
1000 - 1200 ± 1.2mm
2000 - 4000 ± 2.0mm

ALBERT JAGGER LTD  
GREEN LANE  
WALSALL PHONE: 01922 471000  
WEST MIDLANDS FAX: 01922 648021  
WS2 8HG

THIS DRAWING & THE DESIGN SHOWN ARE THE PROPERTY OF ALBERT JAGGER LTD AND MUST NOT BE USED OR COPIED BY A THIRD PARTY WITHOUT PERMISSION

DRAWN BY  
U.F

CHECKED BY  
A.P



SCALE  
2 : 1

MATERIAL  
-

MASS  
0.098 kg

FINISH  
SEE TABLE

Date  
20/10/2016

ALL DIMS IN MM UNLESS STATED DO NOT SCALE

A3

1	VALIDATION COMPLETE	22/12/2016	A.P
REV	DESCRIPTION	DATE	APPROVED



LIFT OFF BLOCK HINGE - M6 THREAD

5589-096

Edition  
1

Sheet  
1 / 1