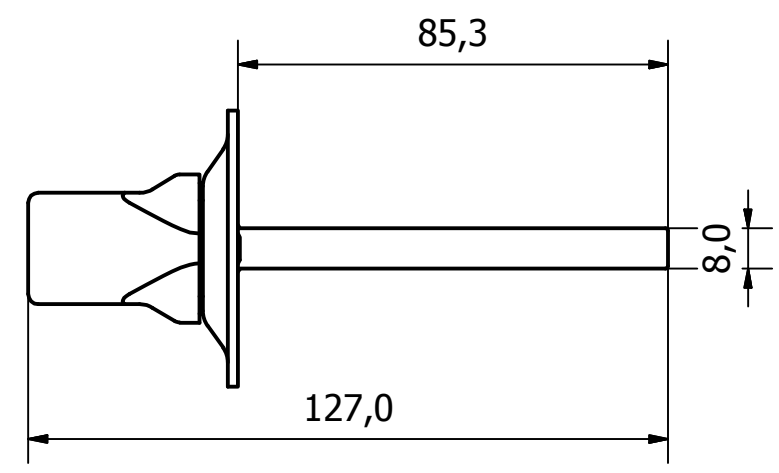
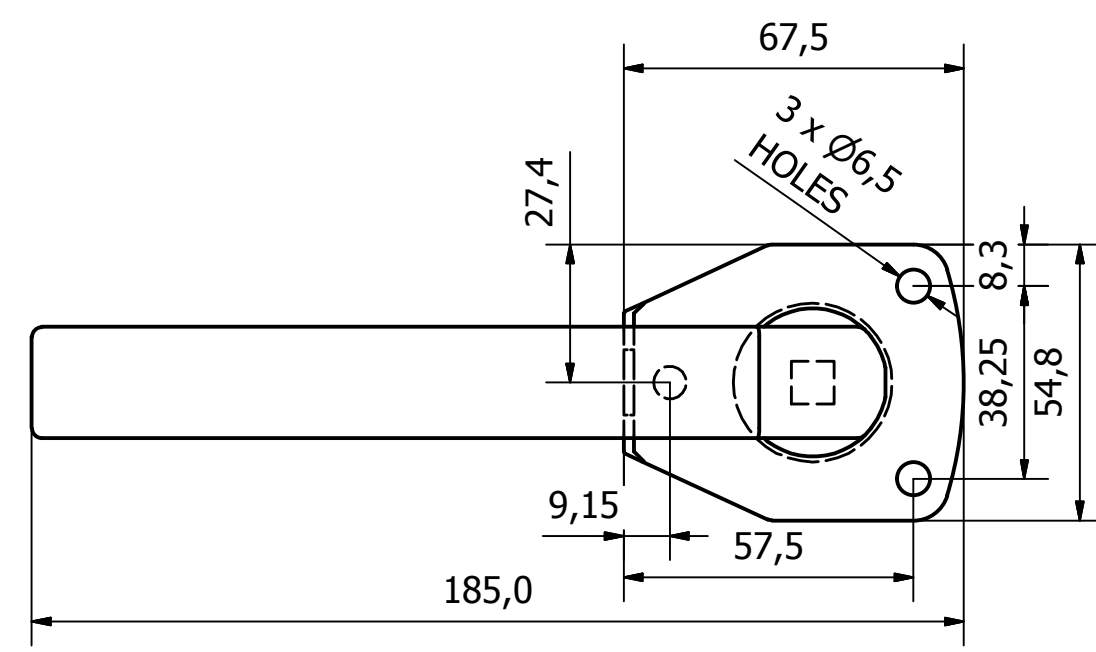
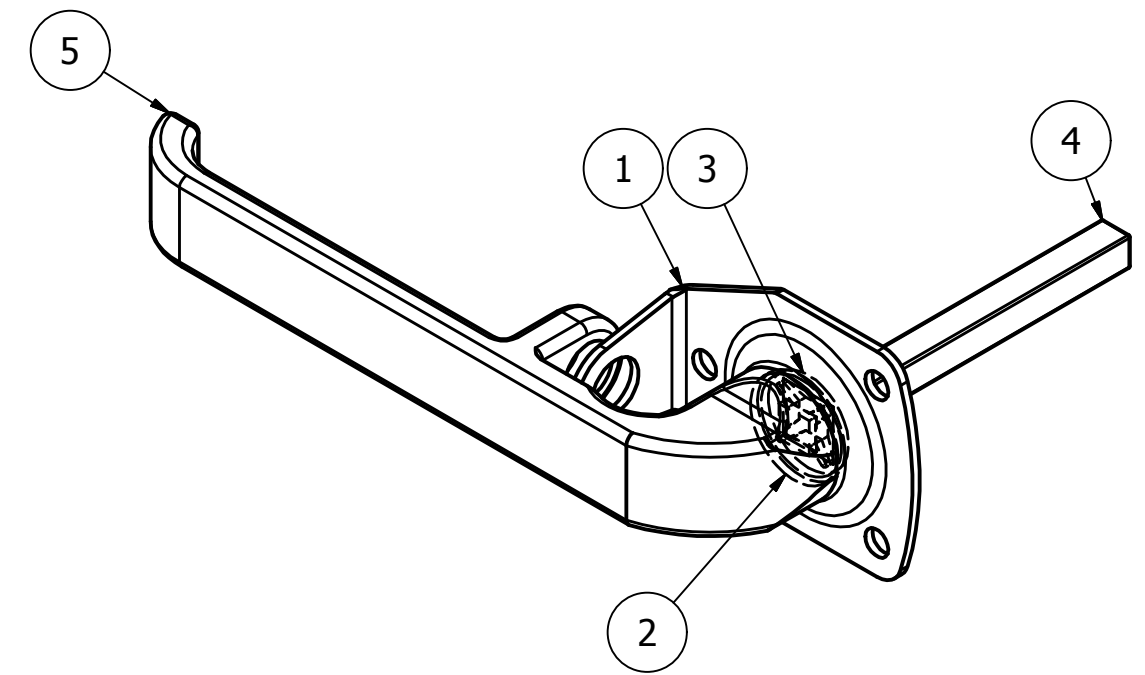


PARTS LIST			
ITEM	QTY	PART NUMBER	DESCRIPTION
1	1	5589-409-1	S/STEEL HANDLE MOUNTING PLATE
2	1	5589-409-2	S/STEEL BARREL WASHER
3	1	5589-409-3	S/STEEL BARREL WELD ON WASHER
4	1	5589-409-4	S/STEEL HANDLE BARREL
5	1	5589-409-5	S/STEEL HANDLE C/W PADLOCK HOLE



1	VALIDATION COMPLETE	31/08/17	A.P
REV	DESCRIPTION	DATE	APPROVED

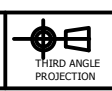
GENERAL TOLERANCES ON LENGTHS
0.5 - 6 ± 0.1mm
6 - 30 ± 0.2mm
30 - 120 ± 0.3mm
120 - 400 ± 0.5mm
400 - 1000 ± 0.8mm
1000 - 2000 ± 1.2mm
2000 - 4000 ± 2.0mm

ALBERT JAGGER LTD
 GREEN LANE
 WALSALL PHONE: 01922 471000
 WEST MIDLANDS FAX: 01922 648021
 WS2 8HG

THIS DRAWING & THE DESIGN SHOWN ARE THE PROPERTY OF ALBERT JAGGER LTD AND MUST NOT BE USED OR COPIED BY A THIRD PARTY WITHOUT PERMISSION

DRAWN BY
 U.F

CHECKED BY
 A.P



SCALE
 1:1.5

MATERIAL
 S/STEEL - T316

MASS
 0.451 kg

FINISH
 MIRROR POLISHED

Date
 25/08/2017

ALL DIMS IN MM UNLESS STATED DO NOT SCALE

A3



S/STEEL PADLOCKABLE LEVER HANDLE
 5589-409

Edition	Sheet
1	1 / 1