

6 1 5 1 4 3 1 2 1 1

D D

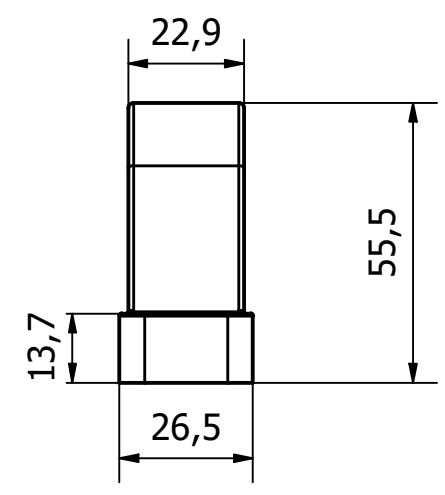
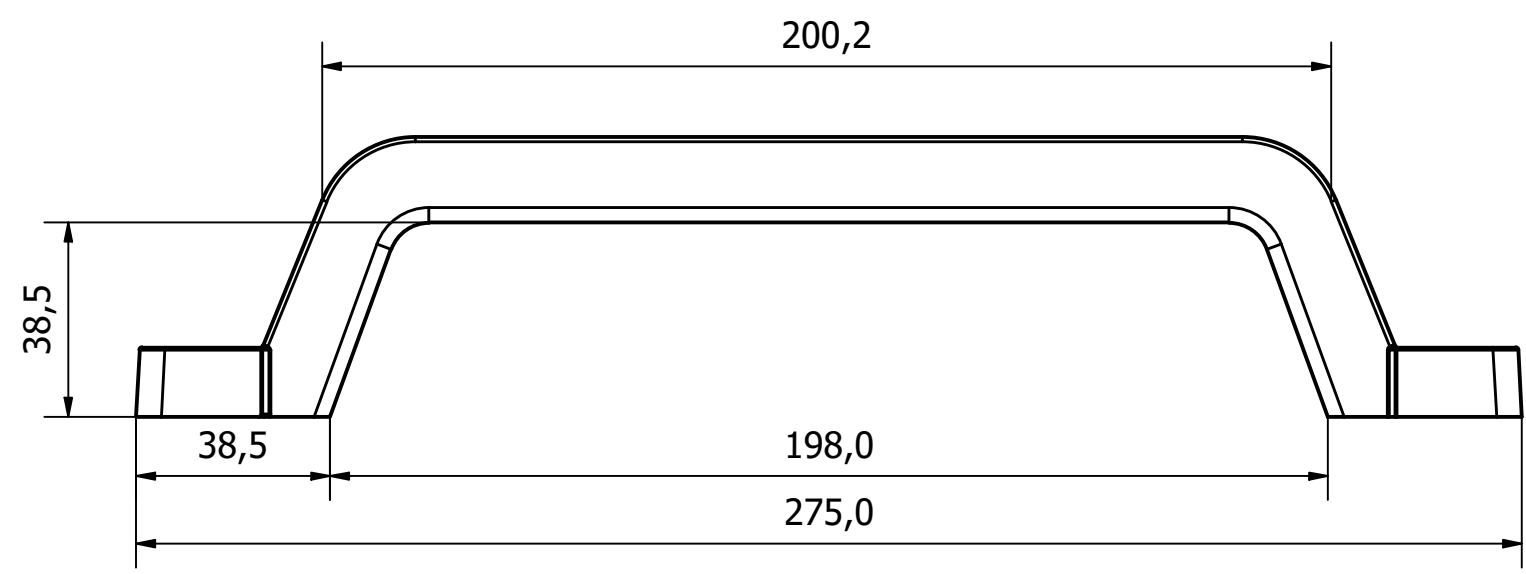
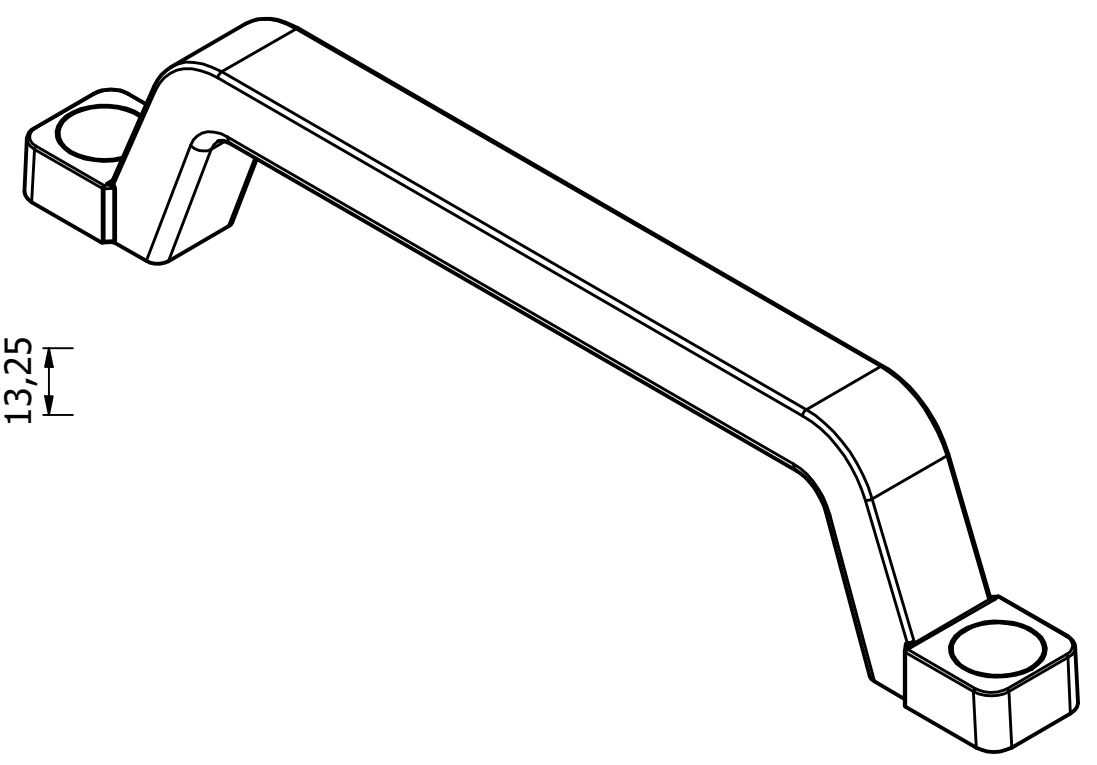
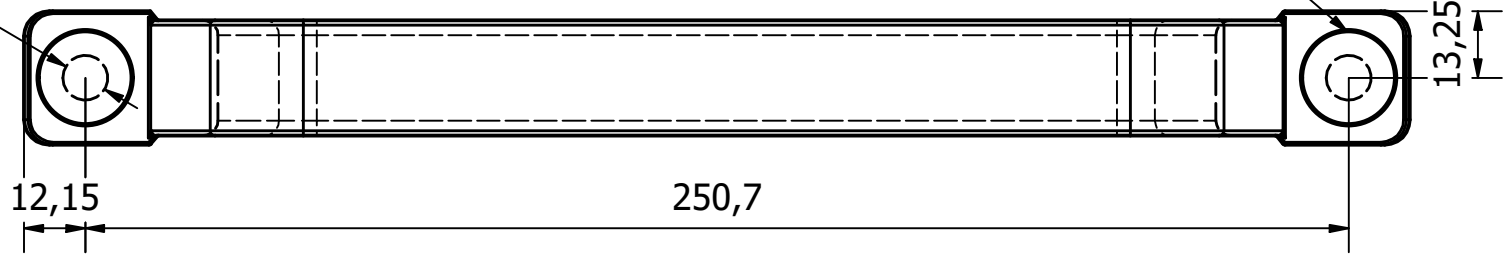
C C

B B

A A

2 x Ø8,9 HOLES

2 x Ø18.3 CAPS



NOTE: 2  
 EXPANDED POLYPROPYLENE ON A STEEL CORE  
 TEXTURED FINISH

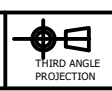
GENERAL TOLERANCES ON LENGTHS

0.5 - 6 ± 0.1mm
6 - 30 ± 0.2mm
30 - 120 ± 0.3mm
120 - 400 ± 0.5mm
400 - 1000 ± 0.8mm
1000 - 1200 ± 1.2mm
2000 - 4000 ± 2.0mm

ALBERT JAGGER LTD  
 GREEN LANE  
 WALSALL PHONE: 01922 471000  
 WEST MIDLANDS FAX: 01922 648021  
 WS2 8HG  
 THIS DRAWING & THE DESIGN SHOWN  
 ARE THE PROPERTY OF ALBERT JAGGER LTD  
 AND MUST NOT BE USED OR COPIED BY A  
 THIRD PARTY WITHOUT PERMISSION

DRAWN BY  
 U.F

CHECKED BY  
 A.P



SCALE  
 1:1.5

MATERIAL  
 SEE NOTE

MASS  
 0.250kg

FINISH  
 Black

Date  
 03/02/2017

ALL DIMS IN MM  
 UNLESS STATED  
 DO NOT SCALE

A3

2	MATERIAL UPDATED	17/12/21	U.F
1	VALIDATION COMPLETE	16/05/17	A.P
REV	DESCRIPTION	DATE	APPROVED



BLACK PULL HANDLE - 275 O/A  
 5589-415  
 Edition 2  
 Sheet 1 / 1

6 1 5 1 4 3 1 2 1 1