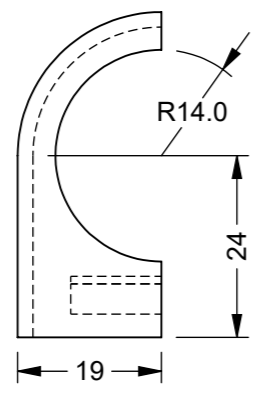
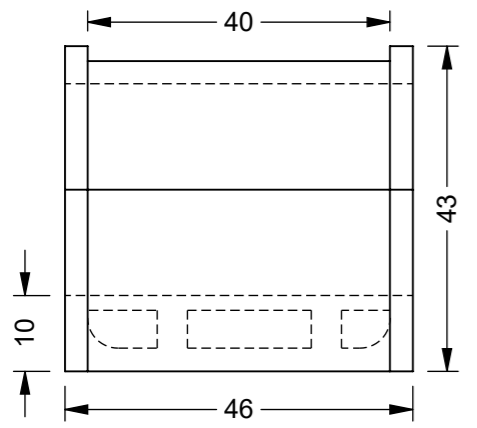
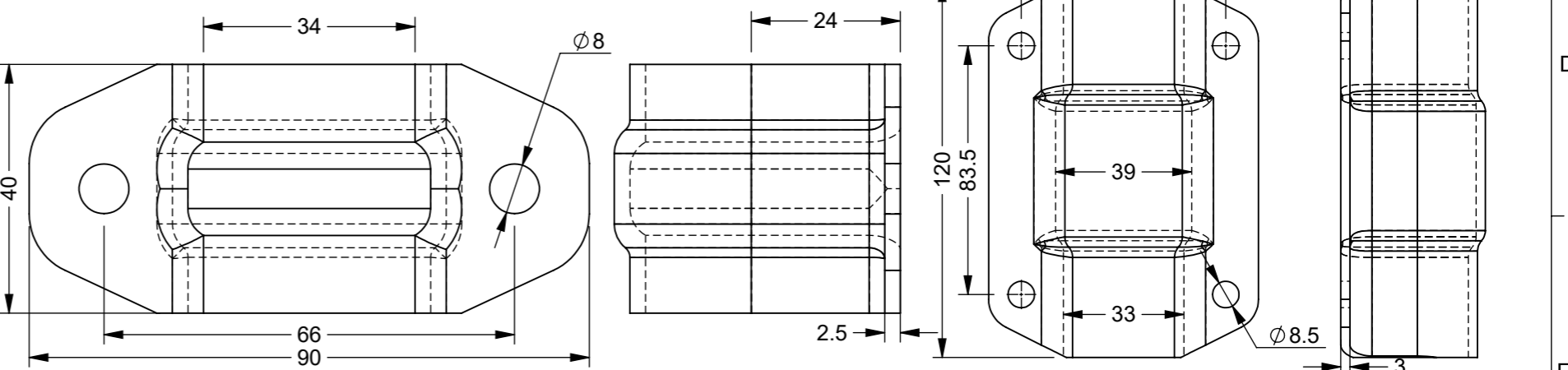
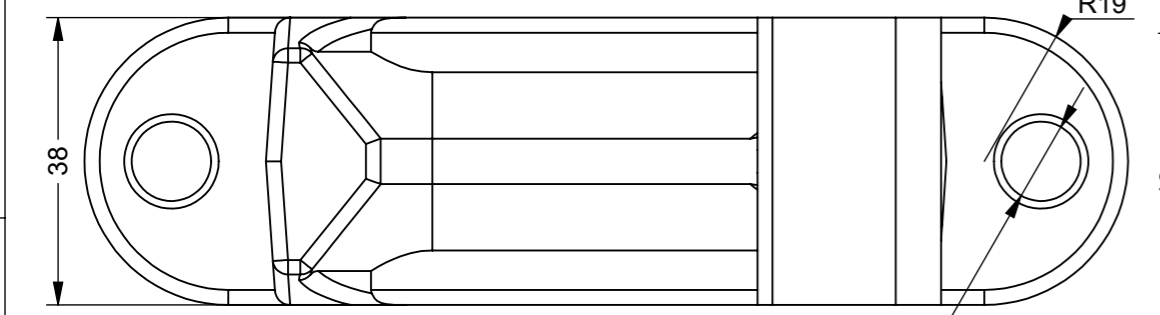
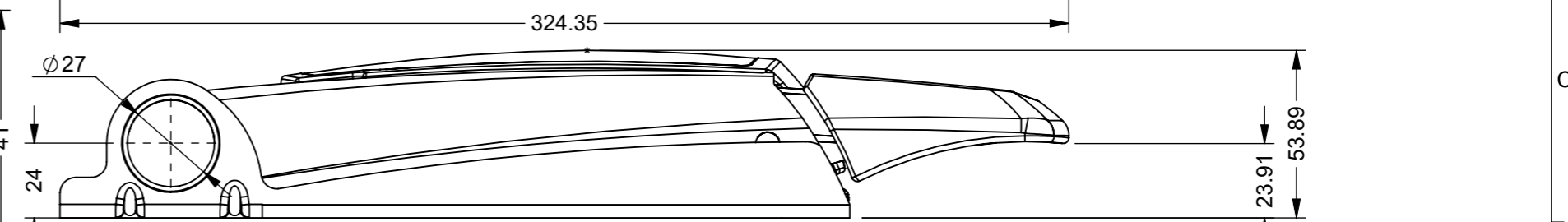
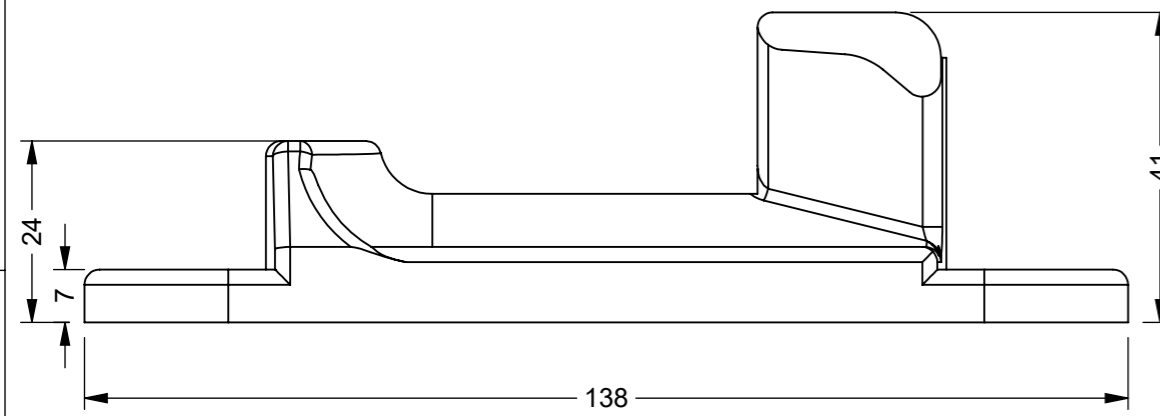
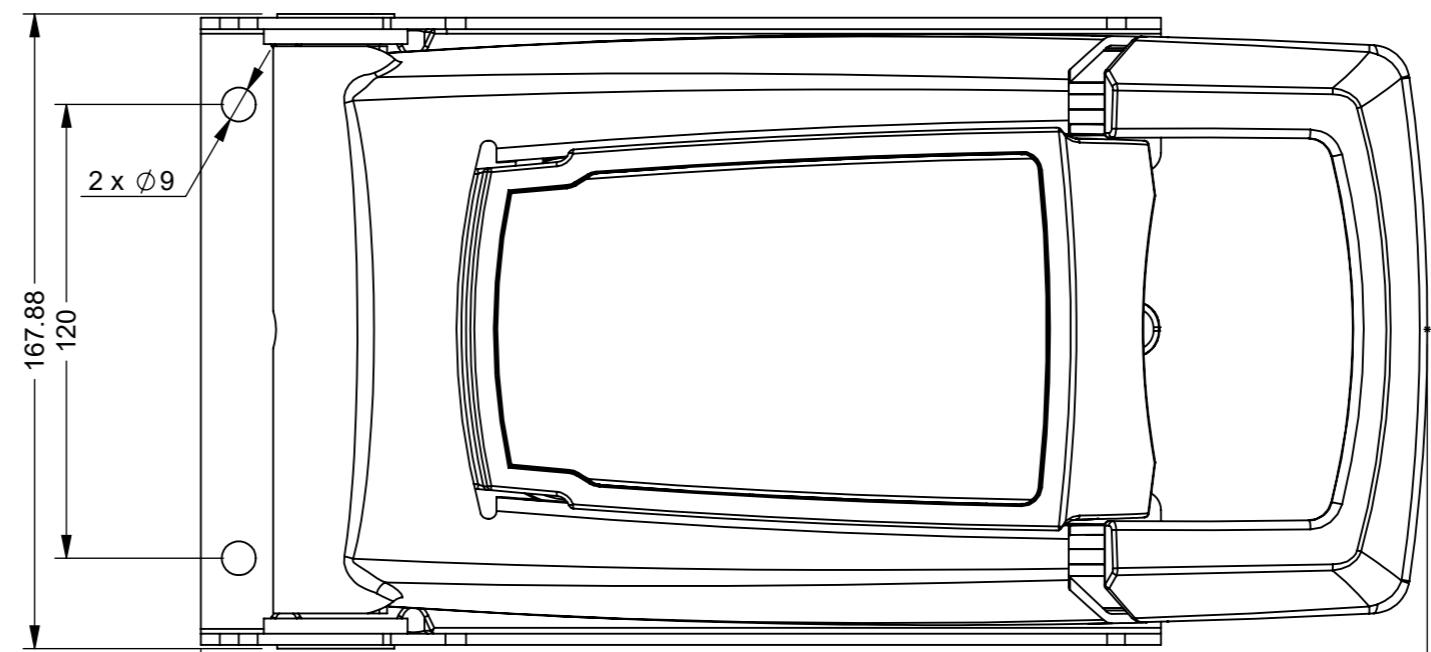
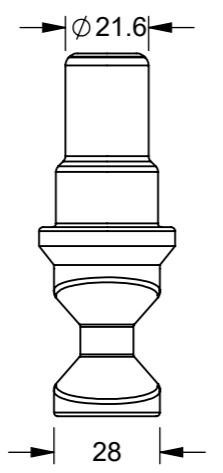
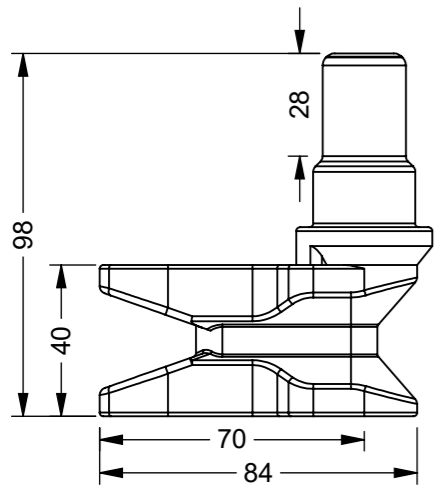


IF IN DOUBT ASK

TABLE	
PART	QTY
EXTERNAL PULL HANDLE	1
CAMS	2
KEPERS	2
SMALL TUBE CLAMP	1
DOUBLE TUBE CLAMPS	2
NYLON HALF BRUSHES	10



ZONE	REV.	DESCRIPTION	DATE	APPROVED
	1	VALIDATION COMPLETE	16/04/2024	A.P

UNLESS OTHERWISE STATED, ALL DIMENSIONS IN mm  
 TOLERANCES  
 0.5 - 6 = ±0.1mm SURFACE FINISH 1.6µm Ra  
 6 - 30 = ±0.2 mm FILLET RADII 0.5 TO 1.0  
 30 - 120 = ±0.3 mm SQUARENESS 0.05 IN 25  
 120 - 400 = ±0.5 mm PARALLELISM 0.05 IN 25  
 400 - 1000 = ±0.8 mm RUNOUT 0.1  
 1000 - 2000 = ±1.2 mm ANGLES ±0.5°  
 2000 - 4000 = ±2.0 mm

MATERIAL: 304 - STAINLESS STEEL  
 MASS:  
 FINISH: POLISHED

DRAWN BY: L.E  
 CHECKED BY: U.F  
 APPROVED BY: A.P  
 ORIGINATION DATE: 16/04/2024

DESCRIPTION: EXTERNAL "PULL" DOOR LOCK KIT  
 NUMBER: 6000-3412702I  
 REVISION: 1  
 SHEET: 1 of 1

**A3**

SCALE : PROPORTIONAL - DO NOT SCALE  
 REF SCALE 1:1 WHEN PRINTED ON A3

PROJECTION 3rd ANGLE

PROPRIETARY RIGHTS ARE INCLUDED IN THE INFORMATION DISCLOSED HEREIN. NEITHER THIS DOCUMENT NOR ANY INFORMATION DISCLOSED SHALL BE REPRODUCED, USED, TRANSFERRED TO OTHER DOCUMENTS, OR DISCLOSED TO OTHERS FOR ANY PURPOSE INCLUDING MANUFACTURING UNLESS SPECIFICALLY AUTHORIZED IN WRITING  
 REMOVE ALL SHARP EDGES AND BURRS  
 PART FINISHING AND MARKING TO CESF001