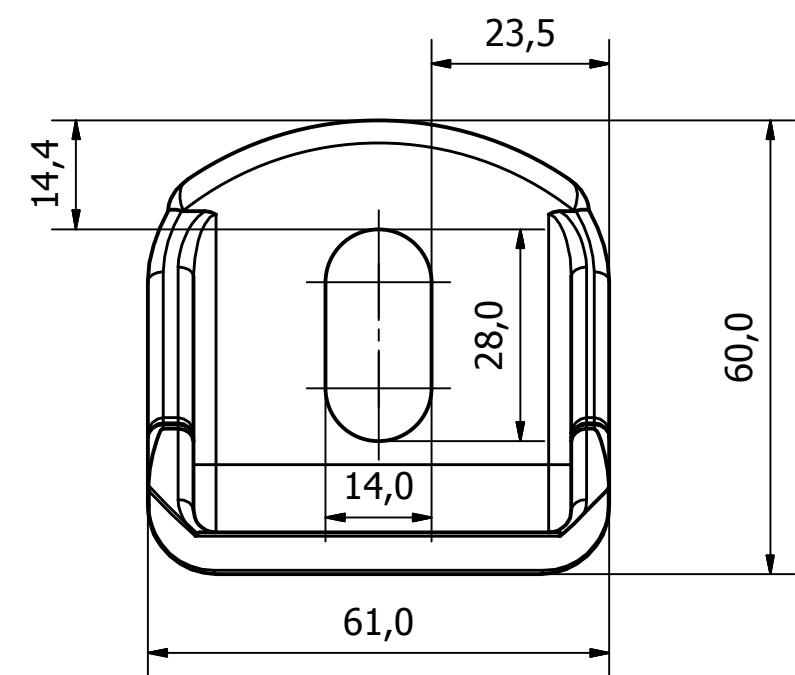
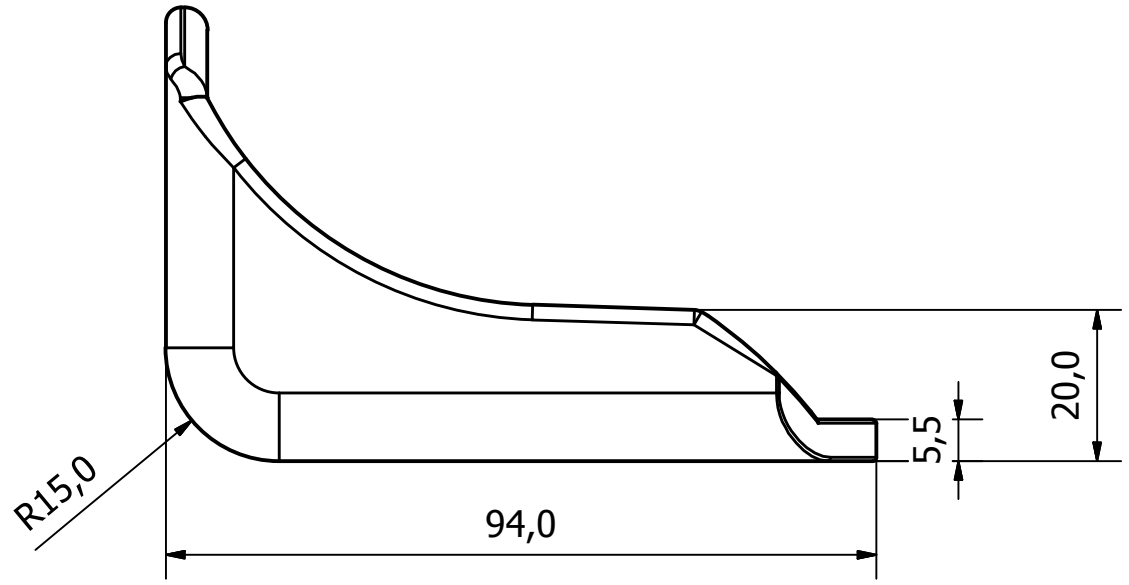
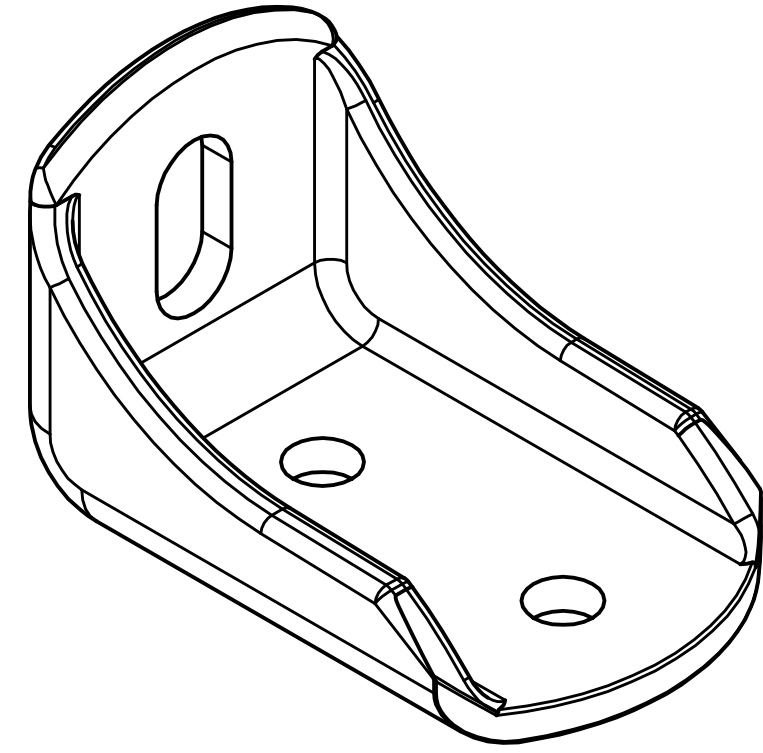
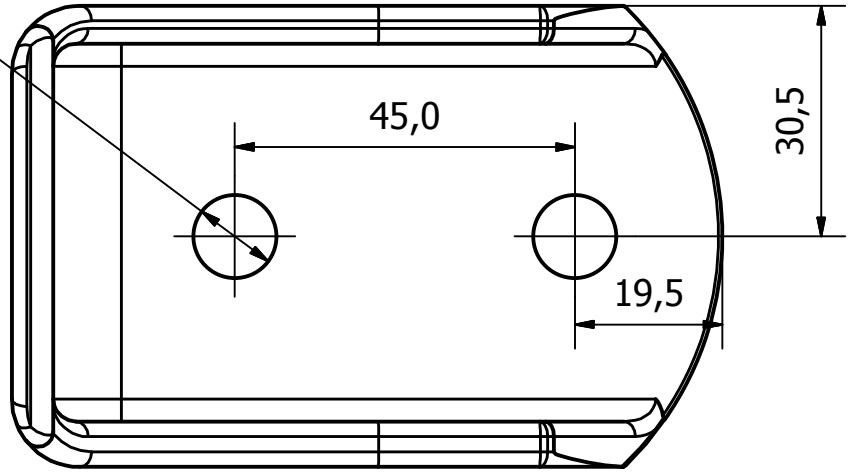


2 x Ø11,0 HOLES



1	VALIDATION COMPLETE	14/08/17	A.P
REV	DESCRIPTION	DATE	APPROVED

GENERAL TOLERANCES ON LENGTHS

0.5 - 6 ± 0.1mm
6 - 30 ± 0.2mm
30 - 120 ± 0.3mm
120 - 400 ± 0.5mm
400 - 1000 ± 0.8mm
1000 - 2000 ± 1.2mm
2000 - 4000 ± 2.0mm

ALBERT JAGGER LTD  
 GREEN LANE  
 WALSALL PHONE: 01922 471000  
 WEST MIDLANDS FAX: 01922 648021  
 WS2 8HG

THIS DRAWING & THE DESIGN SHOWN ARE THE PROPERTY OF ALBERT JAGGER LTD AND MUST NOT BE USED OR COPIED BY A THIRD PARTY WITHOUT PERMISSION

DRAWN BY  
U.F

CHECKED BY  
A.P



SCALE  
1 : 1

MATERIAL  
Steel, Mild

MASS  
0.422 kg

FINISH  
P/C  
BLACK

Date  
24/07/2017

ALL DIMS IN MM  
UNLESS STATED  
DO NOT SCALE

A3



M/STEEL CARGO PRESSED PEDESTAL MOUNTING BRACKET

6033-02314

Edition  
1

Sheet  
1 / 1