

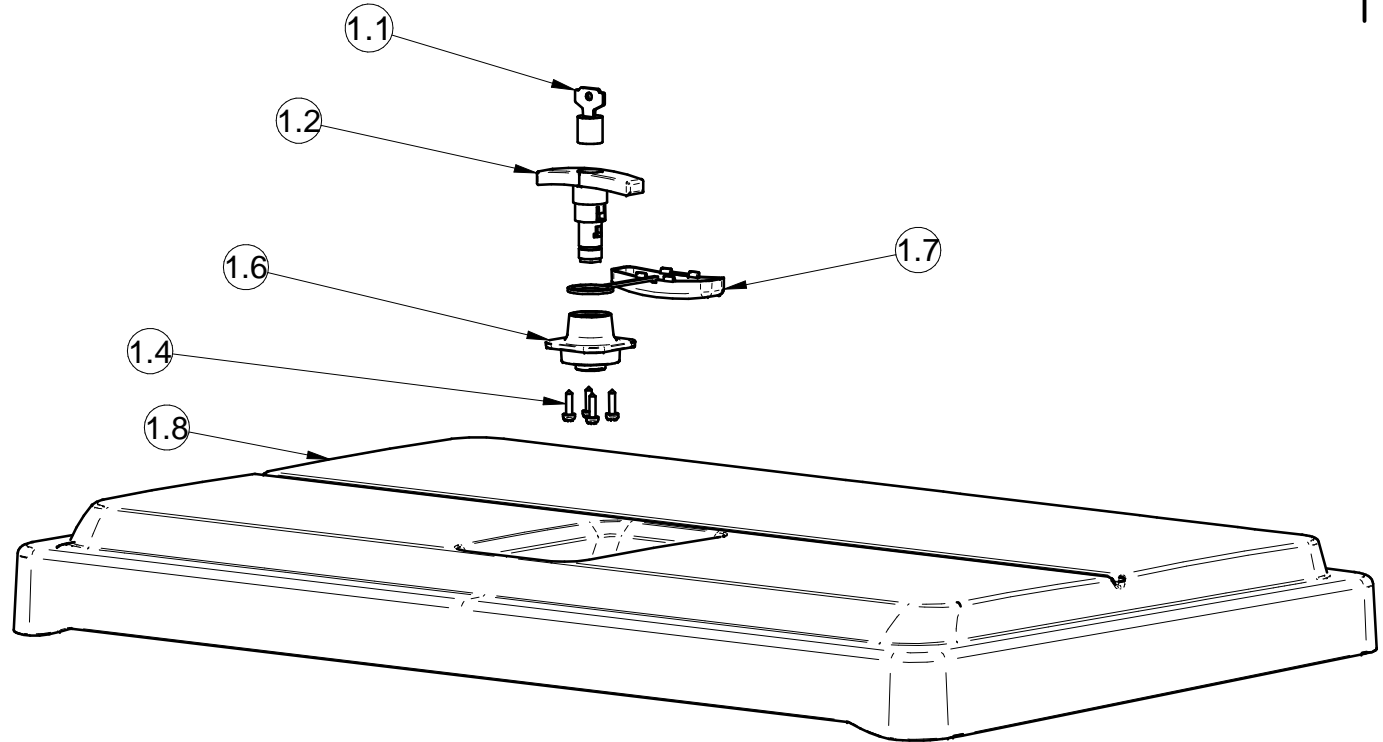
ACCURACY				REVIEW	N°2	DATE	DESCRIPTION	DRAFTSMAN
LINEAR DIMENSIONS								
to 6	±0.1	from 6 to 30	±0.2	from 30 to 120	±0.3	from 120 to 315	±0.5	
from 315 to 1000	±0.8	from 1000 to 2000	±1.2	from 2000 to 4000	±2.0	from 4000	±3.0	
ANGULAR DIMENSIONS				MATERIAL		TREATMENT	DRAFTSMAN	
from 6	±1°	to 6	±30'	from 30 to 120	±20'	from 120	±10'	Polypropylene
				CREATION DATE		SET		
				21/02/2022		DRAWING CODE 446064030.asm		
				SHEET		DESCRIPTION		
				1/2		ORIGIN 800		
						DESCRIPTION OF FINISHED PRODUCT		
						446064030		

LAGO ACCESSORI COPYRIGHT. ANY RIPRODUCTION WITHOUT WRITTEN PERMISSION OF LAGO ACCESSORI IS FORBIDDEN

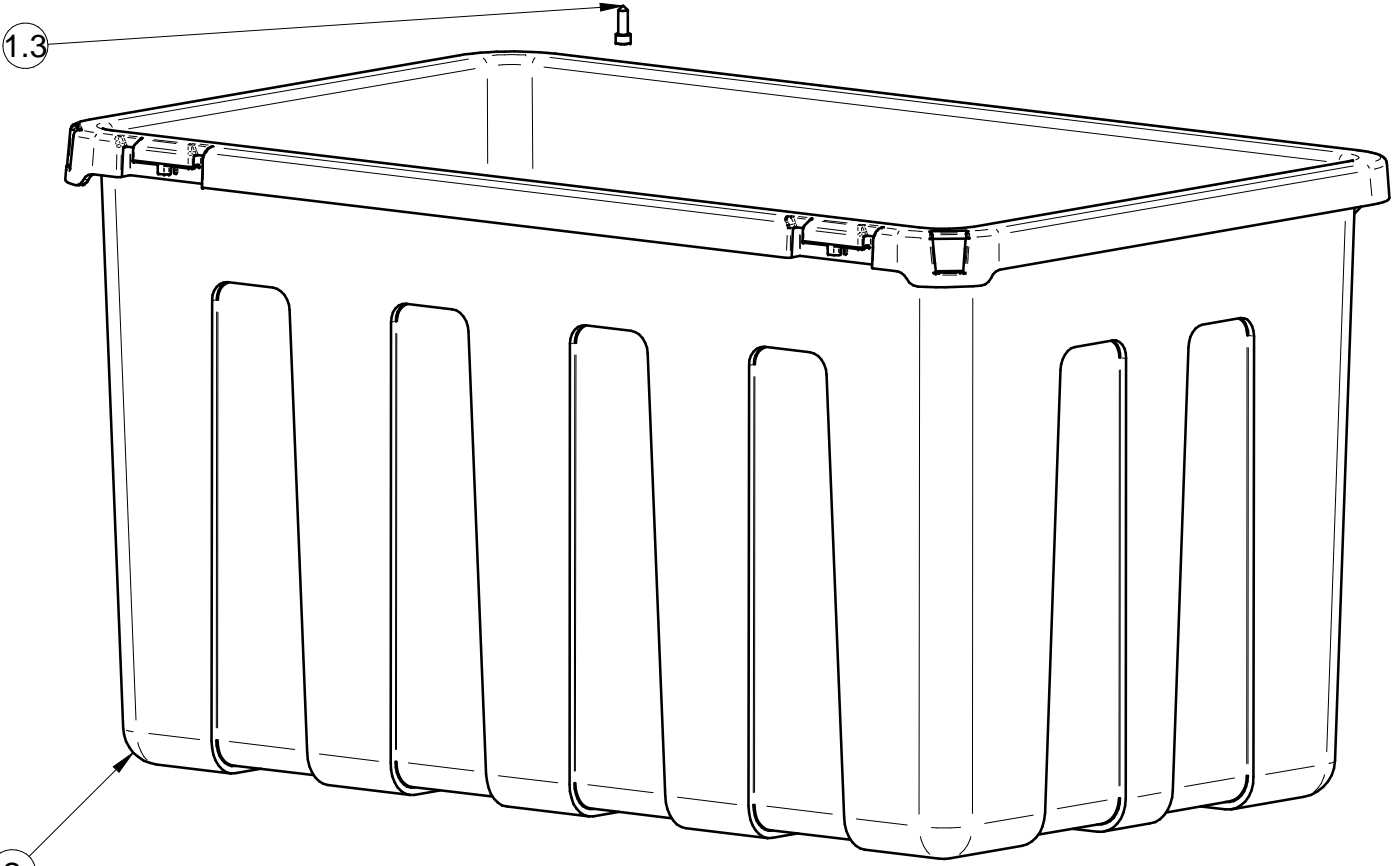
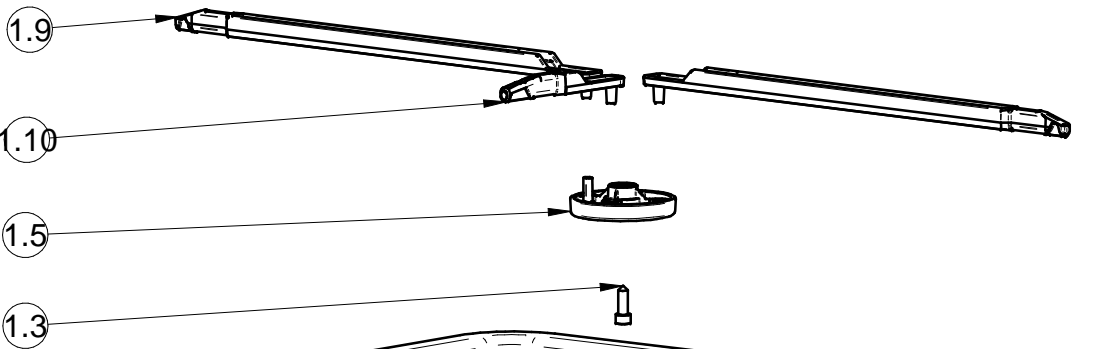
1 2 3 4 5 6 7 8 9 10

A
B
C
D
E
G
H
I

A
B
C
D
E
F
G
H



DISTINTA PARTI				
POS.	NOME FILE	DESCRIZIONE	MATERIALE	Q.TA'
1	456064030	COPERCHIO ORIGIN 800 ASS.		1
1.1	051104002	SERRATURA BD ROTORE+STATORE+2CH ST/COMB BD		1
1.2	050904005	MANIGLIA LISCIA C/FORO (MERONI)	PA6+30GF	1
1.3	081101030	VITE TRUCIOLARE TCCE 6,3X19 ZN MANIG.BD	Fe360	1
1.4	081101012	VITE TRUCC.TC 4X16 ZN	Fe360	4
1.5	050902058	DISCO X ASTE CHIUSURA CASS. ORIGIN	PA6+30GF	1
1.6	050902057	BOCCOLA PER MANIGLIA ORIGIN	PA6+30GF	1
1.7	050902006	COPRIMANIGLIA IN PLASTICA NERA		1
1.8	456065030	COPERCHIO ORIGIN 800 STAMPATO	Polypropylene	1
1.9	050503005	ASTA IN PLASTICA ORIGIN 800	PA6+30GF	2
1.10	050503001	ASTA CENTRALE PLASTICA CASSETTE ORIGIN	PA6+30GF	1
2	466015030	CORPO CASSA 800	Polipropilene,	1



ACCURACY LINEAR DIMENSIONS to 6 ±0.1 from 6 to 30 ±0.2 from 30 to 120 ±0.3 from 120 to 315 ±0.5 from 315 to 1000 ±0.8 from 1000 to 2000 ±1.2 from 2000 to 4000 ±2.0 from 4000 ±3.0				REVIEW N°2 DATE . DESCRIPTION . DRAFTSMAN .
ANGULAR DIMENSIONS from 6 ±1° to 6 from 30 ±30' to 120 ±20' from 120 ±10'				REVIEW N°1 DATE . DESCRIPTION . DRAFTSMAN .
MATERIAL Polypropylene		TREATMENT	DRAFTSMAN Paolo Livio	
LAGO Lago Accessori srl via 1°Maggio 20, 35014 Fontaniva (Pd) Italy Tel: +39 049 5940932 Fax: +39 049 5940599 www.lagoaccessori.net info@lagoaccessori.net		SCALE 1 : 1	CREATION DATE 21/02/2022	
SHEET 2/2		SET DRAWING CODE 446064030.asm	DESCRIPTION ORIGIN 800 DESCRIPTION OF FINISHED PRODUCT 446064030	

1 2 3 4 5 6 7 8 9 10