
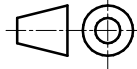
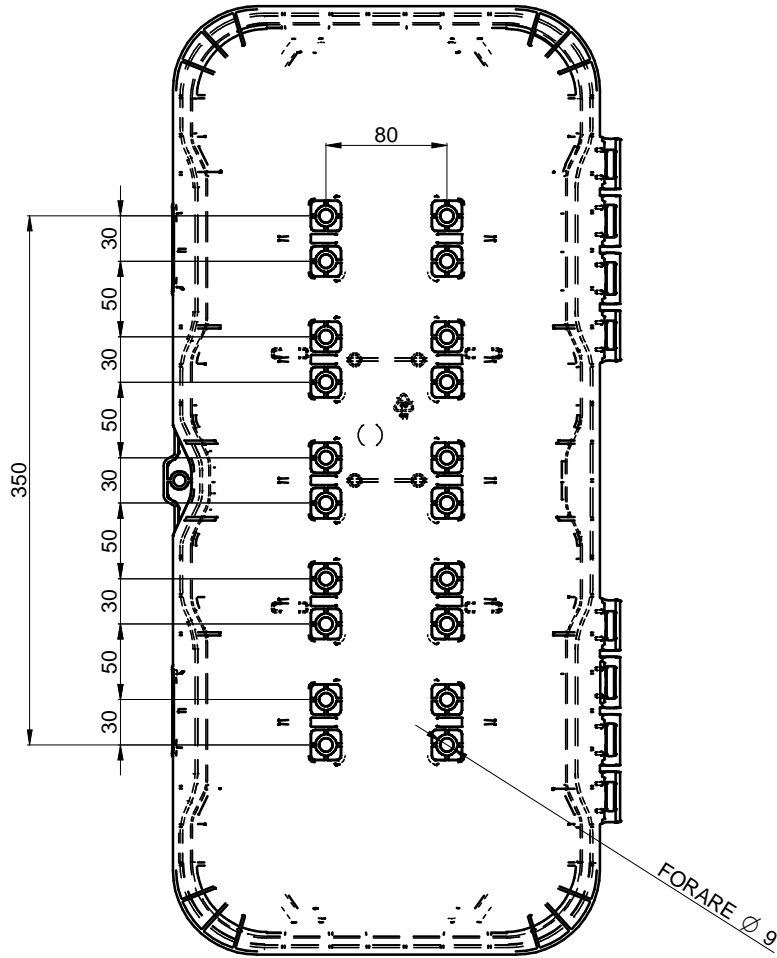


ACCURACY				REVIEW	N°2	DATE	DESCRIPTION	DRAFTSMAN		
LINEAR DIMENSIONS									N°1	DATE
to 6	±0.1	from 6 to 30	±0.2	from 30 to 120	±0.3	from 120 to 315	±0.5			
from 315 to 1000	±0.8	from 1000 to 2000	±1.2	from 2000 to 4000	±2.0	from 4000	±3.0			
ANGULAR DIMENSIONS				MATERIAL		TREATMENT	DRAFTSMAN			
from 6	±1°	to 6 from 30	±30'	from 30 to 120	±20'	from 120	±10'	Marco Simion		
 Lago Accessori srl via 1°Maggio 20, 35014 Fontaniva (Pd) Italy Tel: +39 049 5940932 Fax: +39 049 5940599 www.lagoaccessori.net info@lagoaccessori.net				PP + Gomma		CREATION DATE		SET		
				SCALE		30/11/2020		DRAWING CODE		Costruzione per esploso.asm
				SHEET				DESCRIPTION		496145010 Portaestintore SHELLY
								DESCRIPTION OF FINISHED PRODUCT		



ACCURACY LINEAR DIMENSIONS			
to 6	±0.1	from 6 to 30	±0.2
from 30 to 1000	±0.3	from 120 to 2000	±1.2
from 120 to 315	±0.5	from 4000	±3.0

ANGULAR DIMENSIONS			
from 6	±1°	to 6 from 30	±30'
from 30 to 120	±20'	from 120	±10'

REVIEW	N°2	DATE	DESCRIPTION	DRAFTSMAN
	N°1			

MATERIAL	TREATMENT	DRAFTSMAN
PP + Gomma		Marco Simion

LAGO
Lago Accessori srl
 via 1°Maggio 20, 35014 Fontaniva (Pd) Italy
 Tel: +39 049 5940932 Fax: +39 049 5940599
 www.lagoaccessori.net info@lagoaccessori.net

SCALE	CREATION DATE
1 : 5	30/11/2020
SHEET	

SET
DRAWING CODE Costruzione per esplosivo.asm
DESCRIPTION 496145010 Portaestintore SHELLY
DESCRIPTION OF FINISHED PRODUCT SCHEMA FORATURE