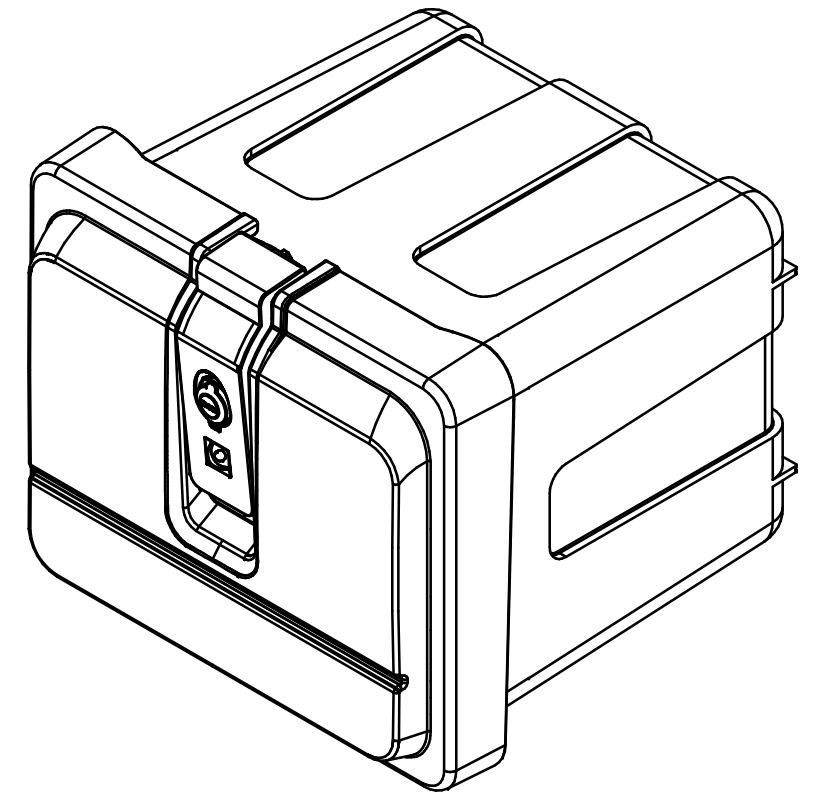
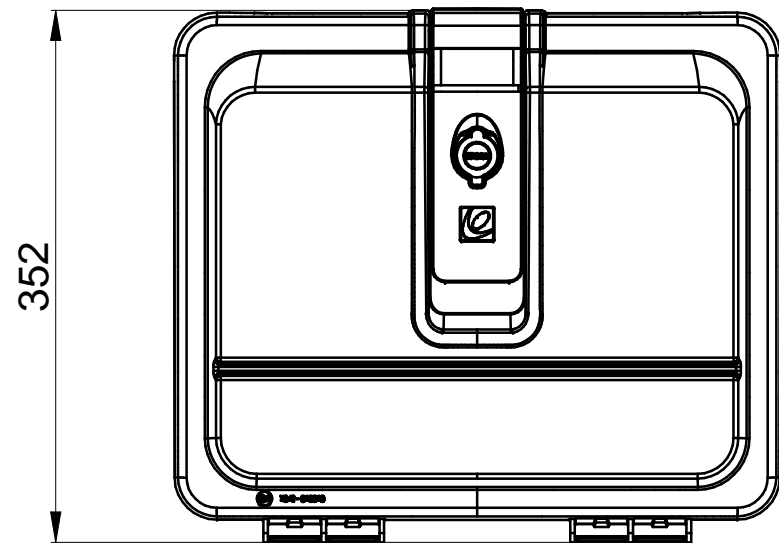
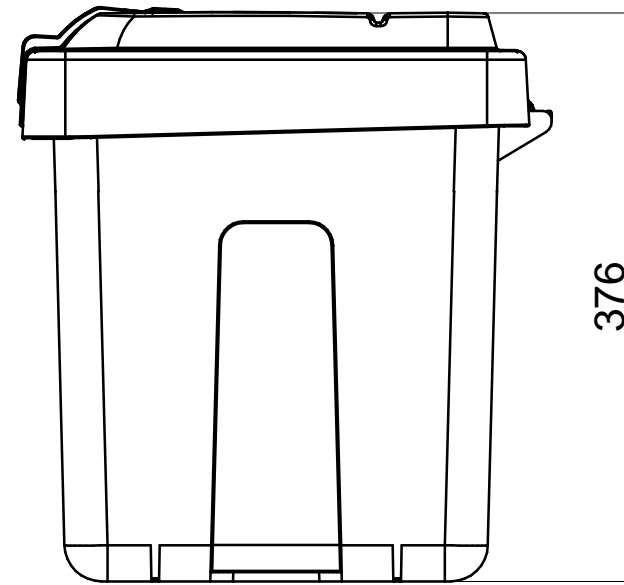
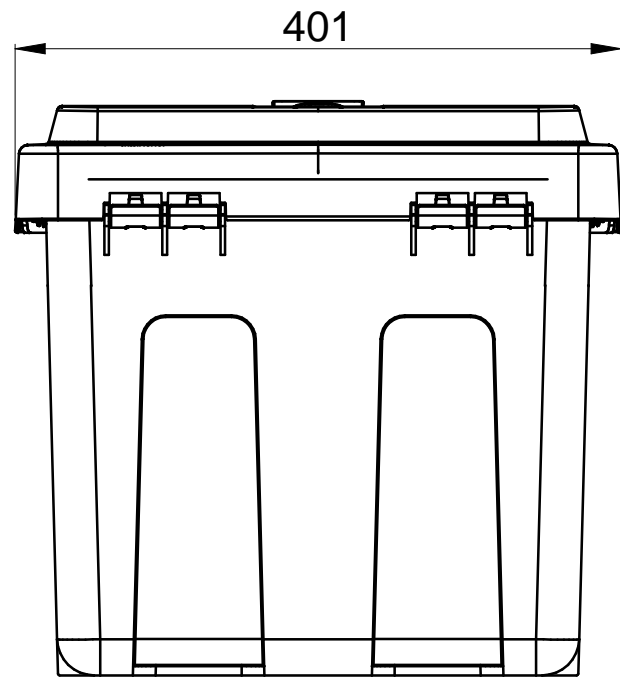


|   |      |                       |      |  |
|---|------|-----------------------|------|--|
| <b>ACCURACY</b><br><b>LINEAR DIMENSIONS</b>   |      |                       |      | REVIEW N°2<br>DATE .<br>DESCRIPTION .<br>DRAFTSMAN |
| to 6  | ±0.1 | from 6 to 30          | ±0.2 |  |
| from 30 to 120  | ±0.3 | from 120 to 315       | ±0.5 | REVIEW N°1<br>DATE .<br>DESCRIPTION .<br>DRAFTSMAN |
| from 315 to 1000  | ±0.8 | from 1000 to 2000     | ±1.2 |  |
| from 2000 to 4000   | ±2.0 | from 4000             | ±3.0 | MATERIAL<br><b>Polypropylene</b>                   |
| <b>ANGULAR DIMENSIONS</b>   |      |                       |      | TREATMENT .<br>DRAFTSMAN<br><b>Marco Simion</b>    |
| from 6  | ±1°  | to 6                  | ±30' | CREATION DATE<br>25/05/2020                        |
| from 30   | ±20' | from 30 to 120        | ±20' |  |
| from 120  | ±10' | SCALE<br><b>1 : 5</b> |      | SET<br>DRAWING CODE<br><b>44 60 62 116.asm</b>     |
| <b>LAGO</b><br>Lago Accessori srl<br>via 1°Maggio 20, 35014 Fontaniva (Pd) Italy<br>Tel: +39 049 5940932 Fax: +39 049 5940599<br>www.lagoaccessori.net info@lagoaccessori.net |      | SHEET<br>1/2          |      |  |
| DESCRIPTION<br><b>400 MOTHER TRUCKER</b><br>DESCRIPTION OF FINISHED PRODUCT   |      |                       |      | DRAFTSMAN<br><b>Marco Simion</b>                   |
| LAGO ACCESSORI COPYRIGHT. ANY RIPRODUCTION WITHOUT WRITTEN PERMISSION OF LAGO ACCESSORI IS FORBIDDEN  |      |                       |      |  |



SPESSORE MEDIO / THICKNESS MIDDLE : 3,5mm

| ACCURACY           |      |                   |      | REVIEW            | N°2  | DATE                            | DESCRIPTION | DRAFTSMAN            |
|--------------------|------|-------------------|------|-------------------|------|---------------------------------|-------------|----------------------|
| LINEAR DIMENSIONS  |      |                   |      |                   |      |                                 |             |                      |
| to 6               | ±0.1 | from 6 to 30      | ±0.2 | from 30 to 120    | ±0.3 | from 120 to 315                 | ±0.5        |                      |
| from 315 to 1000   | ±0.8 | from 1000 to 2000 | ±1.2 | from 2000 to 4000 | ±2.0 | from 4000                       | ±3.0        |                      |
| ANGULAR DIMENSIONS |      |                   |      | MATERIAL          |      | TREATMENT                       | DRAFTSMAN   |                      |
| from 6             | ±1°  | to 6 from 30      | ±30' | from 30 to 120    | ±20' | from 120                        | ±10'        | <b>Polypropylene</b> |
|                    |      |                   |      | CREATION DATE     |      | SET                             |             |                      |
|                    |      |                   |      | 25/05/2020        |      | DRAWING CODE                    |             |                      |
|                    |      |                   |      |                   |      | 44 60 62 116.asm                |             |                      |
|                    |      |                   |      | SHEET             |      | DESCRIPTION                     |             |                      |
|                    |      |                   |      | 2/2               |      | 400 MOTHER TRUCKER              |             |                      |
|                    |      |                   |      |                   |      | DESCRIPTION OF FINISHED PRODUCT |             |                      |
|                    |      |                   |      |                   |      | Marco Simion                    |             |                      |