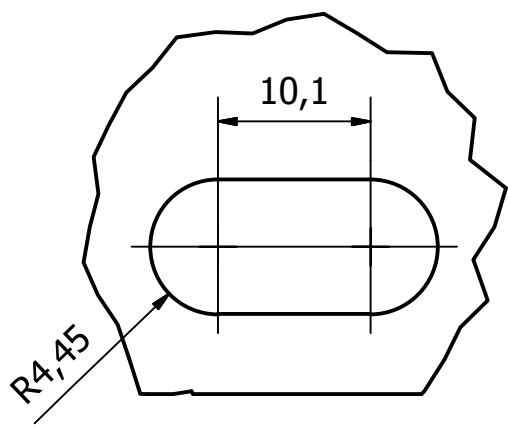
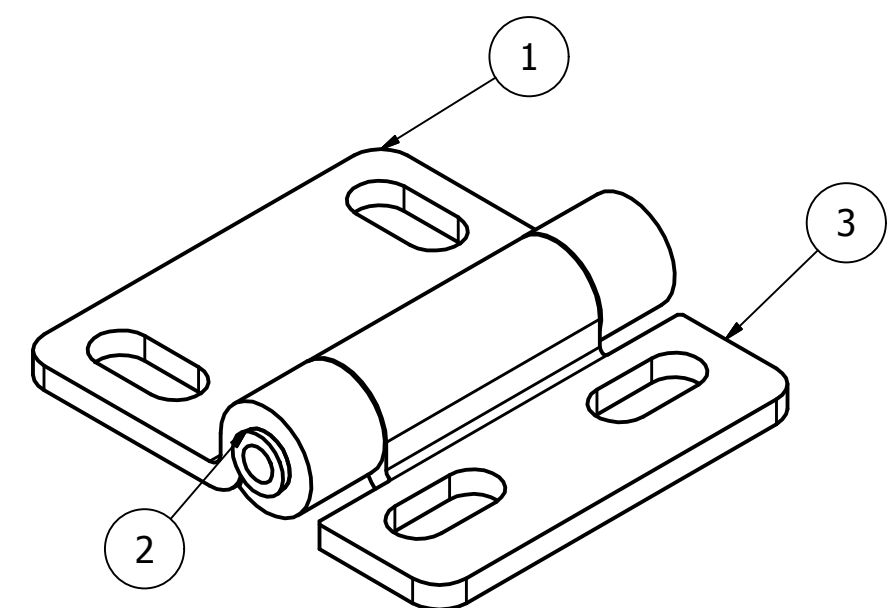
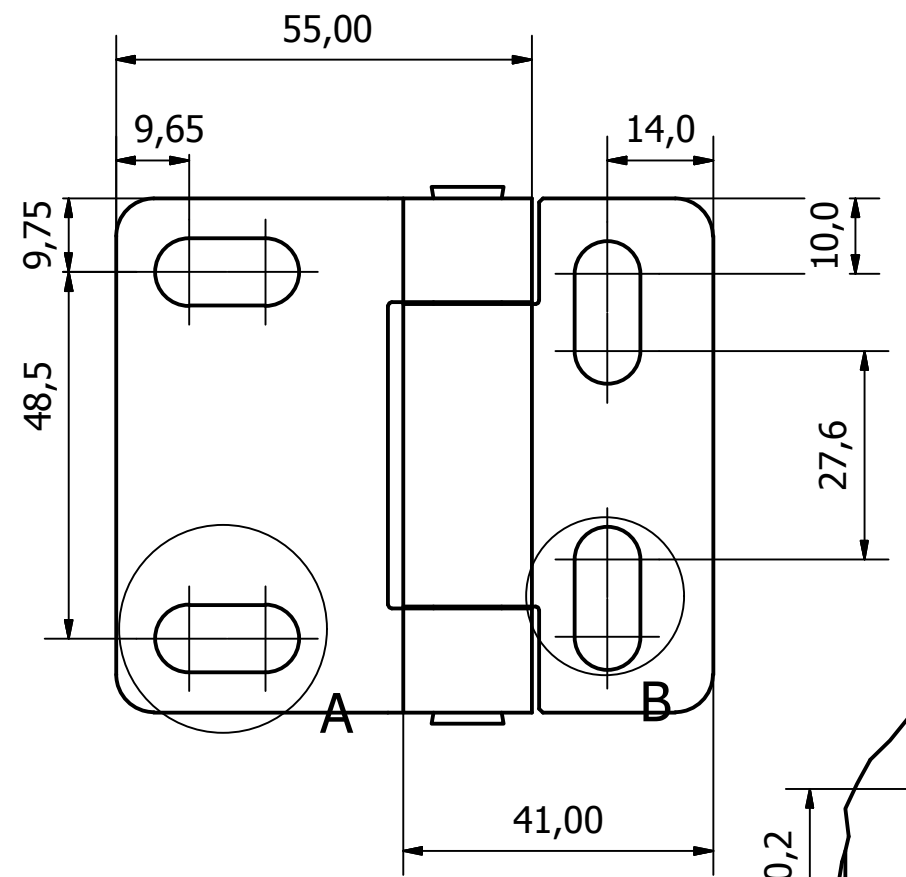
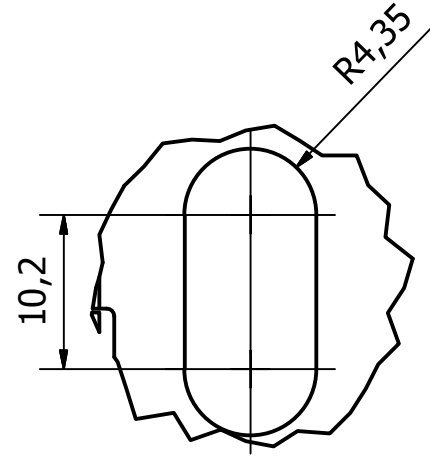


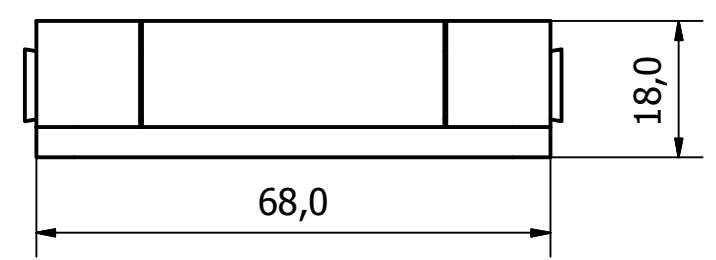
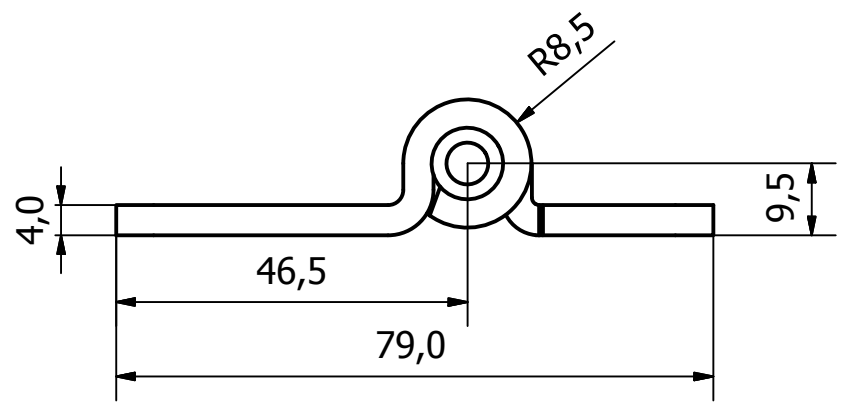
PARTS LIST			
ITEM	QTY	PART NUMBER	DESCRIPTION
1	1	7198-001-1	SS HINGE BASE T304
2	1	7198-001-2	SS HINGE PIN - 71 O/A T304
3	1	7198-001-3	SS HINGE MOUNTING PLATE - T304



DETAIL A ( 2 : 1 )  
TYP 2 PLACES



DETAIL B ( 2 : 1 )  
TYP 2 PLACES



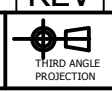
NOTE:  
HINGE DESIGNED FOR 180° APPLICATIONS  
BUT WILL ROTATE THROUGH 270°

GENERAL TOLERANCES ON LENGTHS
0.5 - 6 ± 0.1mm
6 - 30 ± 0.2mm
30 - 120 ± 0.3mm
120 - 400 ± 0.5mm
400 - 1000 ± 0.8mm
1000 - 1200 ± 1.2mm
2000 - 4000 ± 2.0mm

ALBERT JAGGER LTD  
GREEN LANE  
WALSALL PHONE: 01922 471000  
WEST MIDLANDS FAX: 01922 648021  
WS2 8HG  
  
THIS DRAWING & THE DESIGN SHOWN  
ARE THE PROPERTY OF ALBERT JAGGER LTD  
AND MUST NOT BE USED OR COPIED BY A  
THIRD PARTY WITHOUT PERMISSION

DRAWN BY  
U.F

CHECKED BY  
A.P



SCALE  
1 : 1

MATERIAL  
-

MASS  
0.239 kg

FINISH  
NATURAL

Date  
05/10/2016

ALL DIMS IN MM  
UNLESS STATED  
DO NOT SCALE

A3



SS HINGE - NATURAL FINISH

7198-001

Edition  
1

Sheet  
1 / 1

1	VALIDATION COMPLETE	12/10/16	A.P
REV	DESCRIPTION	DATE	APPROVED