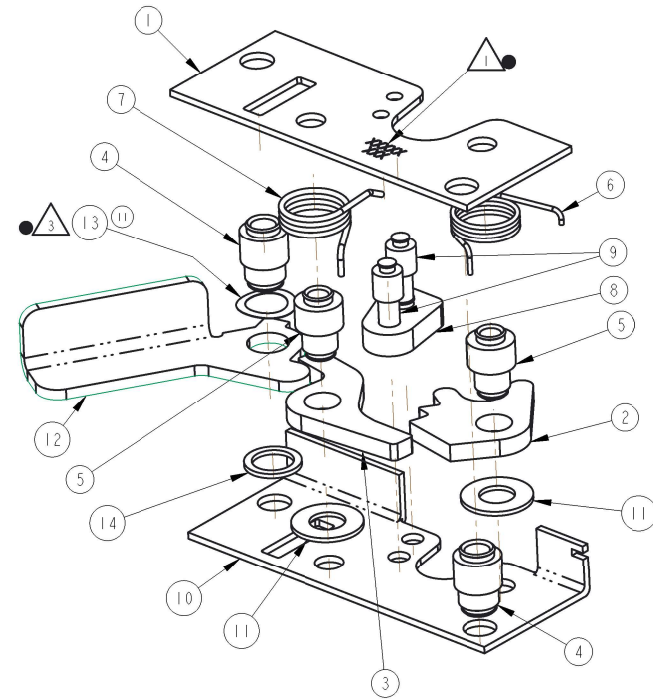
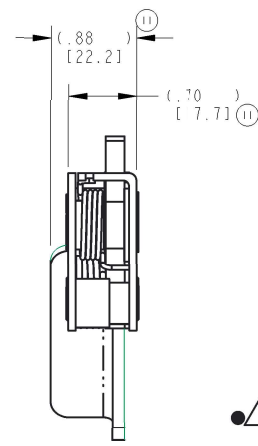
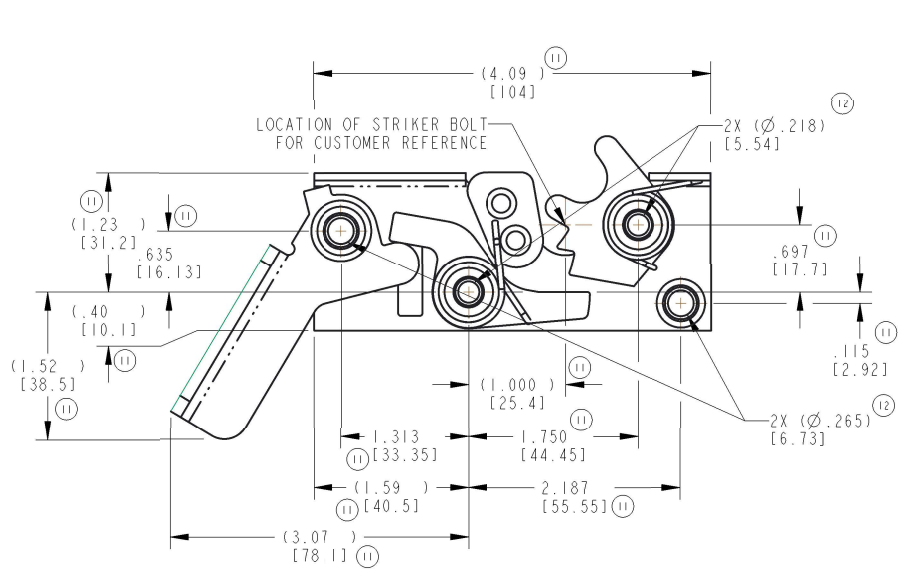


PART NUMBER	ITEM 1 PLATE (QTY)	ITEM 2 ROTOR (QTY)	ITEM 3 CATCH (QTY)	ITEM 4 AXLE (QTY)	ITEM 5 AXLE (QTY)	ITEM 6 SPRING (QTY)	ITEM 7 SPRING (QTY)	ITEM 8 STRIKE (QTY)	ITEM 9 RIVET (QTY)	ITEM 10 PLATE (QTY)	ITEM 11 WASHER (QTY)	ITEM 12 TRIP (QTY)	ITEM 13 WASHER (QTY)	ITEM 14 WASHER (QTY)	PART MARKING
11419-16	11389-16 (1)	80592-26 (1)	80593-26 (1)	80627-16 (2)	80981-16 (2)	80582-57 (1)	80583-57 (1)	80581-16 (1)	80584-16 (2)	11390-16 (1)	80980-16 (2)	81034-16 (1)	80778-15 (1)	80937-16 (1)	11419

REVISION	ECN	ECN BY	DESCRIPTION
9	19419	MLB 11/13/02	REDRAWN TO NEW STANDARD
10	12523	GDE 06/24/09	ADDED: PART MARKING COLUMN. REMOVED: CUSTOMER. UPDATED: DESCRIPTION, FORMAT.
11	33555	GDE 2011-09-23	RELOCATED WASHER (ITEM 13). ADDED: CR/PR DIMS, NOTES (3.4)
12	39670	JSN 2017-04-18	ADDED NOTE 5, ADDED LEADER TO NOTE, REPLACED FORMAT, MOVED DESCRIPTION TO THE TITLE BLOCK



NOTES: UNLESS OTHERWISE SPECIFIED;

- 1 IDENTIFY ASSEMBLY WITH PART NUMBER AND DATE CODE APPROXIMATELY AS SHOWN, OR IN OTHER APPROVED LOCATIONS AS OUTLINED IN ES-121.
- 2. ROTOR TO FULLY ENGAGE THE CATCH IN THE PRIMARY AND SECONDARY POSITIONS WHEN CLOSED WITH A Ø.503 GAUGE PIN.
- 3 ORIENT WAVE WASHER (ITEM 13) AS SHOWN.
- 4. DIMENSIONS IN [] ARE MILLIMETERS FOR REFERENCE ONLY.
- 5. TIGHTEN 1/4-20 GRADE 5 (OR BETTER) OR M6X1 CLASS 8.8 (OR BETTER) MOUNTING FASTENERS TO THE FASTENER MANUFACTURER'S RECOMMENDED TORQUE VALUE; HOWEVER, DO NOT EXCEED 120 IN-LB [13.6 Nm].

12 INDICATES REQUIRED ASSEMBLY INFORMATION. UDS: THE -00 VERSION SHALL BE THE UNFINISHED VERSION OF PART SHOWN. UDS: ALL DIMENSIONS APPLY BEFORE COATING. (ASME Y14.5M, sec. 2.4.1.1)		TriMark 500 Bailey Avenue P. O. Box 350 New Hampton, Iowa 50659 U.S.A. Tel: 641-394-3188 Fax: 641-394-2392	
TOLERANCES UNLESS OTHERWISE SPECIFIED (UDS) ASME Y14.5M-1994 INCH ±.1 MILLIMETER ±.3 X.X ±.03 X.XX ±.010 X.XXX ±.010		DRAWN BY: SJG 08/12/86 CHECKED BY: BAB 12/19/86 PROJECT: L-86025-1 PRODUCT CODE: E24 (050-0300)	CUSTOMER: - CUSTOMER PART NUMBER: - DESCRIPTION: 050-0300, LH, 2 POSN, .265, FGRLSE
ANGLES X° = ±3° X.X° = ±1.0° X.XX° = ±.50°		PART WEIGHT: (0.63 LB) SURFACE AREA: - SIZE: C SCALE: 1.0 SHEET: 1/1 PART NUMBER: 11419	This drawing and the information contained herein is the property of TriMark Corporation and shall not be used for any purpose without our written consent.