

PART NUMBER DESCRIPTION	ITEM 1 RETAINER (QTY)	ITEM 2 BAR (QTY)	ITEM 3 SPRING (QTY)	ITEM 4 HANDLE (QTY)	ITEM 5 SPRING (QTY)	ITEM 6 PIN (QTY)	ITEM 7 PIN (QTY)	ITEM 8 BASE (QTY)	ITEM 9 WASHER (QTY)	ITEM 10 WASHER (QTY)	ITEM 11 RING (QTY)	ITEM 12 LOCKCYLINDER (QTY)	ITEM 13 GASKET (QTY)	FINISH	DATE CODE YES/NO	DIM "A"	DIM "B"	KEYS SUPPLIED YES/NO (QTY)
12466-01 010-0600,LGB, TM901-950, LH,2.5,90DEG	12193-06 (1)	81037-16 (1)	80956-00 (1)	11932-37 (1)	80957-00 (1)	11207-09 (1)	12499-09 (1)	12211-37 (1)	80958-16 (1)	81219-16 (1)	81220-39 (1)	14080-05 (1) [TM901-TM950]	80961-00 (1)	PAINT, BLACK, LOW GLOSS	YES	1.020	.050	
12466-02 010-0600,LGB, TM901-950, LH,2.5,90DEG,2KA/BAG	12193-06 (2)	81037-16 (2)	80956-00 (2)	11932-37 (2)	80957-00 (2)	11207-09 (2)	12499-09 (2)	12211-37 (2)	80958-16 (2)	81219-16 (2)	81220-39 (2)	14080-02 (2) [TM901-TM950]	80961-00 (2)		NO	1.020	.050	
12466-04 010-0600,LGB, CH545S, LH,2.5,THD,90DEG		81620-16 (1)										14080-01 (1) [CH545S]	80961-00 (1)		NO		.125	
12466-05 010-0600,LGB, TM901-950, LH,3.5,90DEG,THK GSKT	12193-06 (1)	81037-16 (1)	80956-00 (1)	11932-37 (1)	80957-00 (1)	11207-09 (1)	12499-09 (1)	12211-37 (1)	80958-16 (1)	81219-16 (1)	81220-39 (1)	14080-05 (1) [TM901-TM950]	81566-00 (1)		YES	2.019	.050	YES (2)
12466-06 010-0600,LGB, TM911, LH,3.5,90DEG		80955-16 (1)										14080-03 (1) [TM911]	80961-00 (1)		YES	2.019	.050	YES (2)
12466-07 010-0600,LGB, TM901-950, LH,2.5,90DEG,THK GSKT		81037-16 (1)										14080-05 (1) [TM901-TM950]	81566-01 (1)		NO	1.020	.125	
12466-08 010-0600,LGB, TM901-950, LH,2.5,90DEG,2KA/BAG	12193-06 (2)	81037-16 (2)	80956-00 (2)	11932-37 (2)	80957-00 (2)	11207-09 (2)	12499-09 (2)	12211-37 (2)	80958-16 (2)	81219-16 (2)	81220-39 (2)	14080-02 (2) [TM901-TM950]	81566-00 (2)		NO	1.020	.125	
12466-10 010-0600,LGB, TM501-510, LH,2.5,THD,90DEG,THK GSKT	12193-06 (1)	81620-16 (1)	80956-00 (1)	11932-37 (1)	80957-00 (1)	11207-09 (1)	12499-09 (1)	12211-37 (1)	80958-16 (1)	81219-16 (1)	81220-39 (1)	14080-06 (1) [TM501-TM510]	81566-01 (1)		NO		.050	
12466-37 010-0600,LGB, TM901-950, LH,2.5,THD,90DEG												14080-05 (1) [TM901-TM950]	80961-00 (1)					

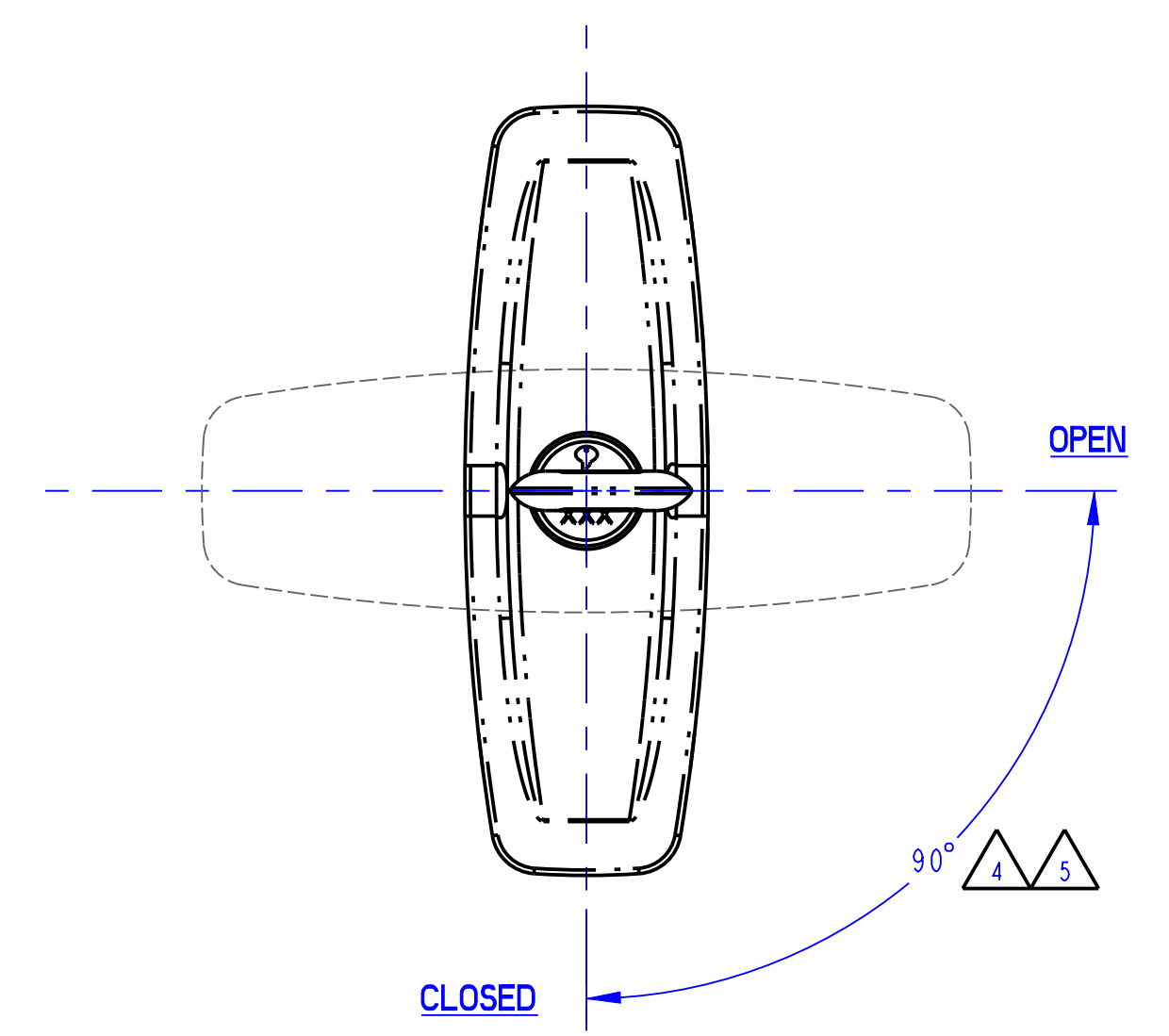
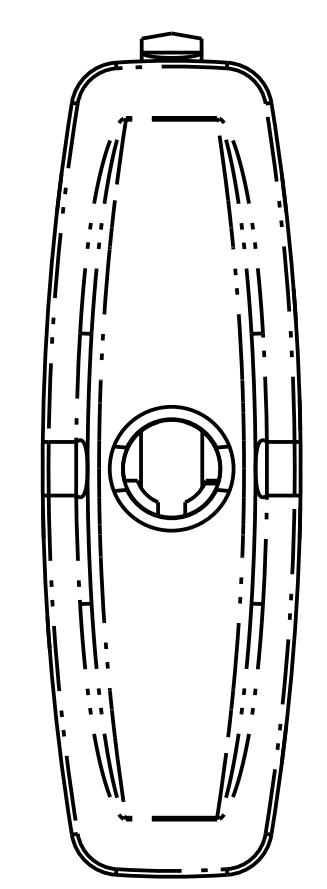
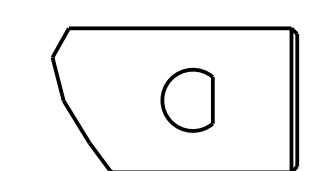
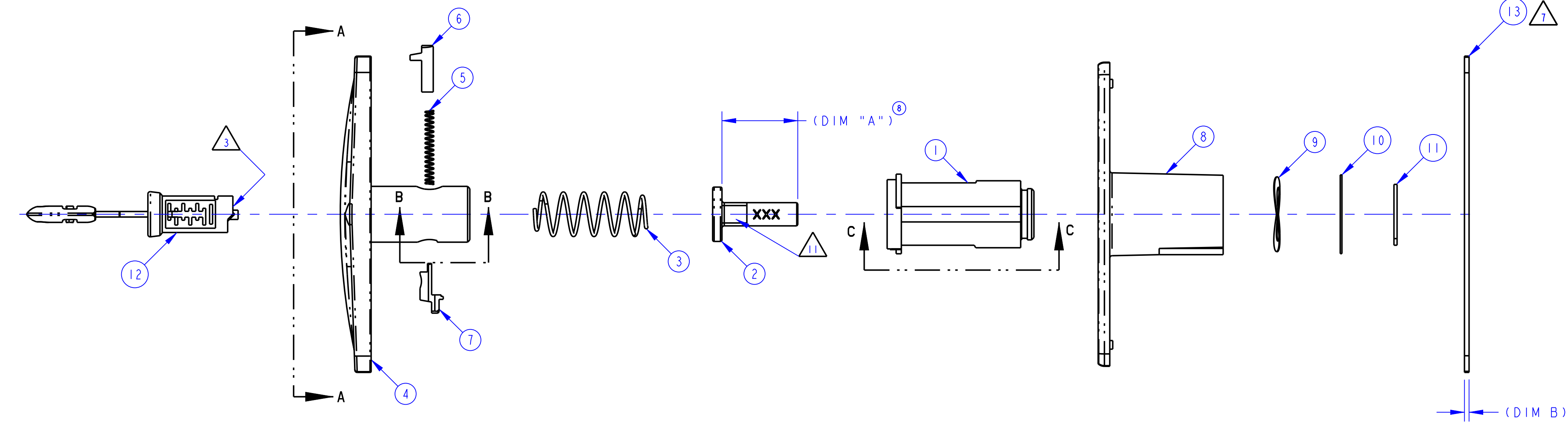


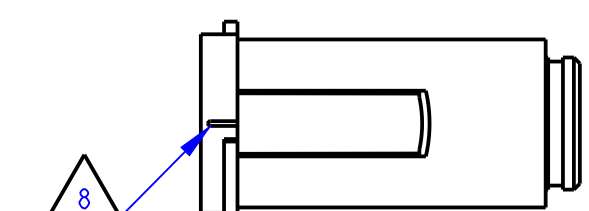
FIGURE 1



VIEW A-A



VIEW B-B



VIEW C-C

- NOTES: UNLESS OTHERWISE SPECIFIED;
- 1. ALL COMPONENTS TO BE ASSEMBLED AS SHOWN IN NUMERICAL ORDER.
  - 2. SPRING (ITEM 5), STOP PIN (ITEM 6) AND LOCK PIN (ITEM 7) TO BE INSTALLED IN HANDLE (ITEM 4) AFTER HANDLE IS INSERTED INTO RETAINER (ITEM 1).
  - 3. ALPHA 2000 GREASE TO BE LIBERALLY APPLIED TO END OF LOCKCYLINDER (ITEM 12) BEFORE INSTALLATION.
  - 4. ROTATION OF HANDLE (ITEM 4) TO THE FULLY CLOSED POSITION AS IN FIGURE 1 IS CLOCKWISE FOR A LH ASSEMBLY.
  - 5. ROTATION OF HANDLE (ITEM 4) TO THE FULLY OPENED POSITION AS IN FIGURE 1 IS COUNTERCLOCKWISE FOR A LH ASSEMBLY.
  - 6. ROTATION OF DRIVE BAR (ITEM 2) SHOULD NOT RELEASE THE HANDLE (ITEM 4) FROM THE DEPRESSED TO THE RELEASED POSITION.
  - 7. GASKET (ITEM 13) TO BE PLACED OVER BASE (ITEM 8).
  - 8. RAISED MARK ON RETAINER (ITEM 1) INDICATES SIDE WHICH THE LOCK PIN (ITEM 7) PROTRUDES THROUGH THE RETAINER.
  - 9. FINISH IS FOR REFERENCE ONLY.
  - 10. KEYING TO BE PLACED OVER DRIVE BAR (ITEM 2) BEFORE BAGGING. SEAL BAG SO KEYS STAY ON DRIVE BAR.
  - 11. STAMP DATE CODE PER ES-121 (IF REQUIRED) PRIOR TO ASSEMBLY (SEE TABLE). LOCATE APPROXIMATELY AS SHOWN.
  - 12. FOR 12466-02 ONLY TWO T-HANDLES PER BAG, KEYED ALIKE AND SEALED IN TWO SEPARATE COMPARTMENTS.
  - 13. FOR 12466-03 ONLY THREE T-HANDLES PER BAG, KEYED ALIKE AND SEALED IN THREE SEPARATE COMPARTMENTS.

REVISION	ECN	ECN BY	DESCRIPTION
10	10580	JLS 12/23/98	ADDED -07 VERSION
11	10610	JLS 8/25/98	REVISED PART NAME, DATE CODE, AND DIM "A" FOR 12466-07
12	10643	JLS 9/16/98	81037-16 WAS 81620-16 FOR 12466-07
13	10808	JLS 12/30/98	ADDED 12466-08 VERSION
14	10952	JRS 8/29/99	81566-00 WAS 81566-01
15	11050	JRS 8/29/99	CH545S WAS CH545
16	18076	JRS 9/21/00	ALPHA 2000 WAS LITHIUM
17	19787	GDE 10/13/03	ADDED: -10 VERSION, PART WT, KEYS SUPPLIED
18	19836	TEB 12/11/03	TM501-510 WAS TM901-950; 14080-06 WAS 14080-05
19	20400	MJA 3/19/05	81566-00 WAS 81566-01; REMOVED NOTE 12; RENUMBERED NOTES
20	31064	RLO 6/8/10	UPDATED DRAWING FORMAT, VIEWS, PART NUMBER, NOTE 11. DELETED -03 VERSION.

<p>20 INDICATES REQUIRED ASSEMBLY INFORMATION.          UDS: THE "00" VERSION SHALL BE THE UNFINISHED VERSION OF PART SHOWN.          UDS: ALL DIMENSIONS APPLY BEFORE COATING. (ASME Y14.5M, sec. 2.4.1.1)</p>		<p><b>TriMark</b>          500 Bailey Avenue          P. O. Box 350          New Hampton, Iowa 50659 U.S.A.          Tel: 641-394-3188          Fax: 641-394-2392</p>	
<p>TOLERANCES UNLESS OTHERWISE SPECIFIED (UDS)          ASME Y14.5M-1994</p>		<p>DRAWN BY JLS 10/5/92          CHECKED BY CRZ 10/6/92</p>	
<p>PROJECT LA10600-50          CUSTOMER</p>		<p>PRODUCT CODE A06 (010-0600)</p>	
<p>CUSTOMER PART NUMBER</p>		<p>DESCRIPTION SEE TABLE</p>	
<p>PART WEIGHT (0.58 LB)</p>		<p>17 SURFACE AREA</p>	
<p>REF: T/M OP 4.20-2 FOR SUP. QUALITY REQ.          REF: T/M OP 4.20-3 FOR INT. QUALITY REQ.</p>		<p>SIZE D          SCALE 1.0          PART NUMBER 12466</p>	

DIMENSIONS	ANGLES
X.X = ±.1	X° = ±1°
X.XX = ±.03	
X.XXX = ±.015	