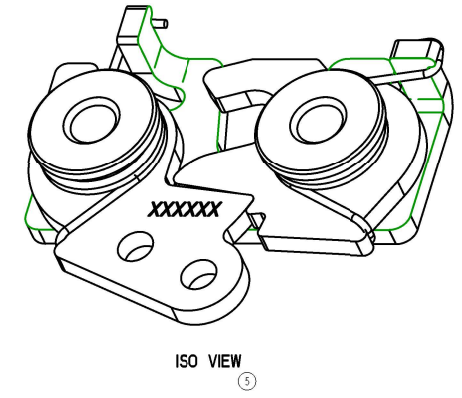
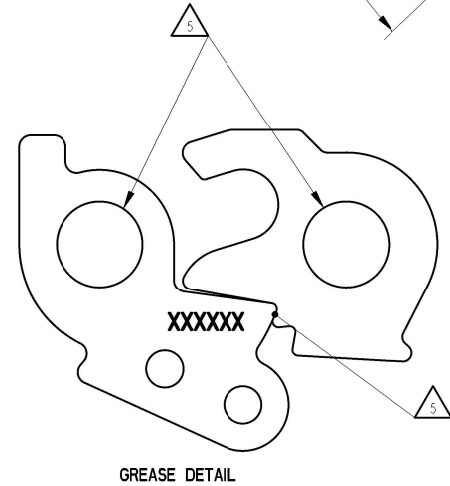
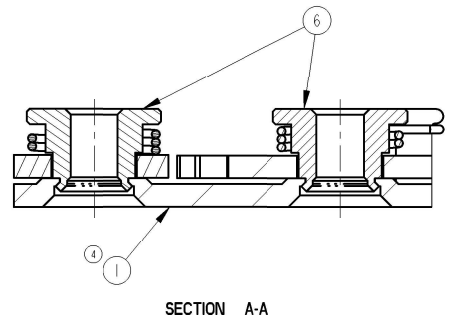
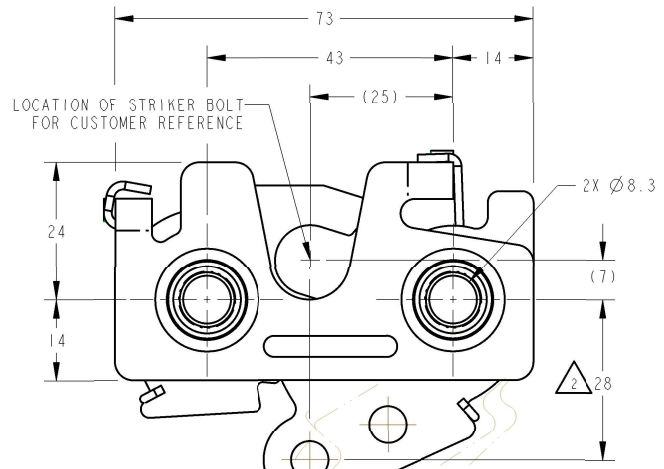
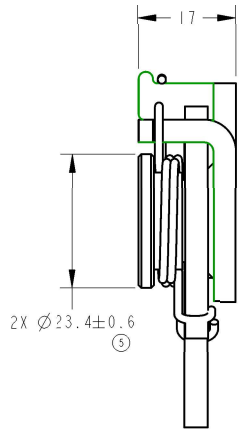
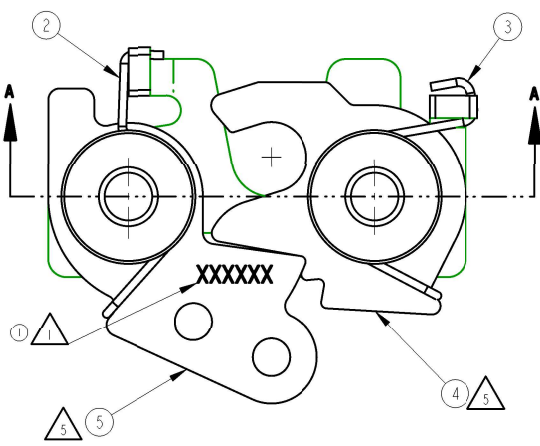


PART NUMBER	ITEM 1 PLATE (QTY)	ITEM 2 SPRING (QTY)	ITEM 3 SPRING (QTY)	ITEM 4 ROTOR (QTY)	ITEM 5 LEVER (QTY)	ITEM 6 AXLE (QTY)	PART MARKING
19244-01	19256-01 (1)	19254-01 (1)	19255-01 (1)	19284-01 (1)	19248-01 (1)	19253-01 (2)	XXX202

REVISION	ECN	ECN BY	DESCRIPTION
0	RLSE	DJZ 11/26/03	RELEASED FOR PRODUCTION FROM REV C
1	20386	MAD 4/22/05	XXX202 WAS 19244 XXX
2	20560	MLH 9/7/05	REVISED DISPLAY OF ROTOR (ITEM 4)
3	21877	GDE 07/29/09	UPDATED: DESCRIPTION, FORMAT. ADDED: PART MARKING COLUMN.
4	31833	GDE 01/16/10-08	UPDATED: VIEWS (ITEM 1), DESC.
5	37835	AGJ 06/14/12	2XØ23.4±0.6 WAS 2XØ23. ADDED: ISO VIEW.



NOTES: UNLESS OTHERWISE SPECIFIED;

- 1 IDENTIFY ASSEMBLY WITH PART NUMBER AND DATE CODE APPROXIMATELY AS SHOWN, OR IN OTHER APPROVED LOCATIONS AS OUTLINED IN ES-121.
- 2 RETURN POSITION.
- 3 RELEASE POSITION.
- 4 MAXIMUM TRAVEL.
- 5 APPLY ALPHA 2000 GREASE (OR EQUIVALENT) TO SURFACES SHOWN AND BETWEEN CONTACT SURFACE OF TRIP LEVER (ITEM 5) AND ROTOR (ITEM 4).

METRIC

<p>● INDICATES REQUIRED ASSEMBLY INFORMATION. UOS: THE "00" VERSION SHALL BE THE UNFINISHED VERSION OF PART SHOWN. UOS: ALL DIMENSIONS APPLY BEFORE COATING. (ASME Y14.5M-1994, sec. 2.4.1)</p>		<p>TriMark 500 Bailey Avenue P. O. Box 350 New Hampton, Iowa 50659 U.S.A. Tel: 641-394-3188 Fax: 641-394-2392</p>									
<p>TOLERANCES UNLESS OTHERWISE SPECIFIED (UOS) ASME Y14.5M-1994</p> <table border="0"> <tr> <td>INCH</td> <td>MILLIMETER</td> </tr> <tr> <td>X .X ±.1</td> <td>X ±.3</td> </tr> <tr> <td>X .XX ±.03</td> <td>X .X ±.8</td> </tr> <tr> <td>X .XXX ±.010</td> <td>X .XX ±.25</td> </tr> </table>		INCH	MILLIMETER	X .X ±.1	X ±.3	X .XX ±.03	X .X ±.8	X .XXX ±.010	X .XX ±.25	<p>DRAWN BY: DJZ 05/16/02 CHECKED BY: BLH 05/16/02 PROJECT: 02027 PRODUCT CODE: E34 (050-0600)</p>	
INCH	MILLIMETER										
X .X ±.1	X ±.3										
X .XX ±.03	X .X ±.8										
X .XXX ±.010	X .XX ±.25										
<p>ANGLES X ° ±.3° X X° ±1.0° X XX° ±.50°</p>		<p>CUSTOMER PART NUMBER: - DESCRIPTION: 050-0600, LH, 2 POSN, 8MM, IPT</p>									
<p>DO NOT SCALE DRAWING</p>		<p>PART WEIGHT: (0.17 Kg) SURFACE AREA: - SIZE: C SCALE: 1.5 PART NUMBER: 19244</p>									