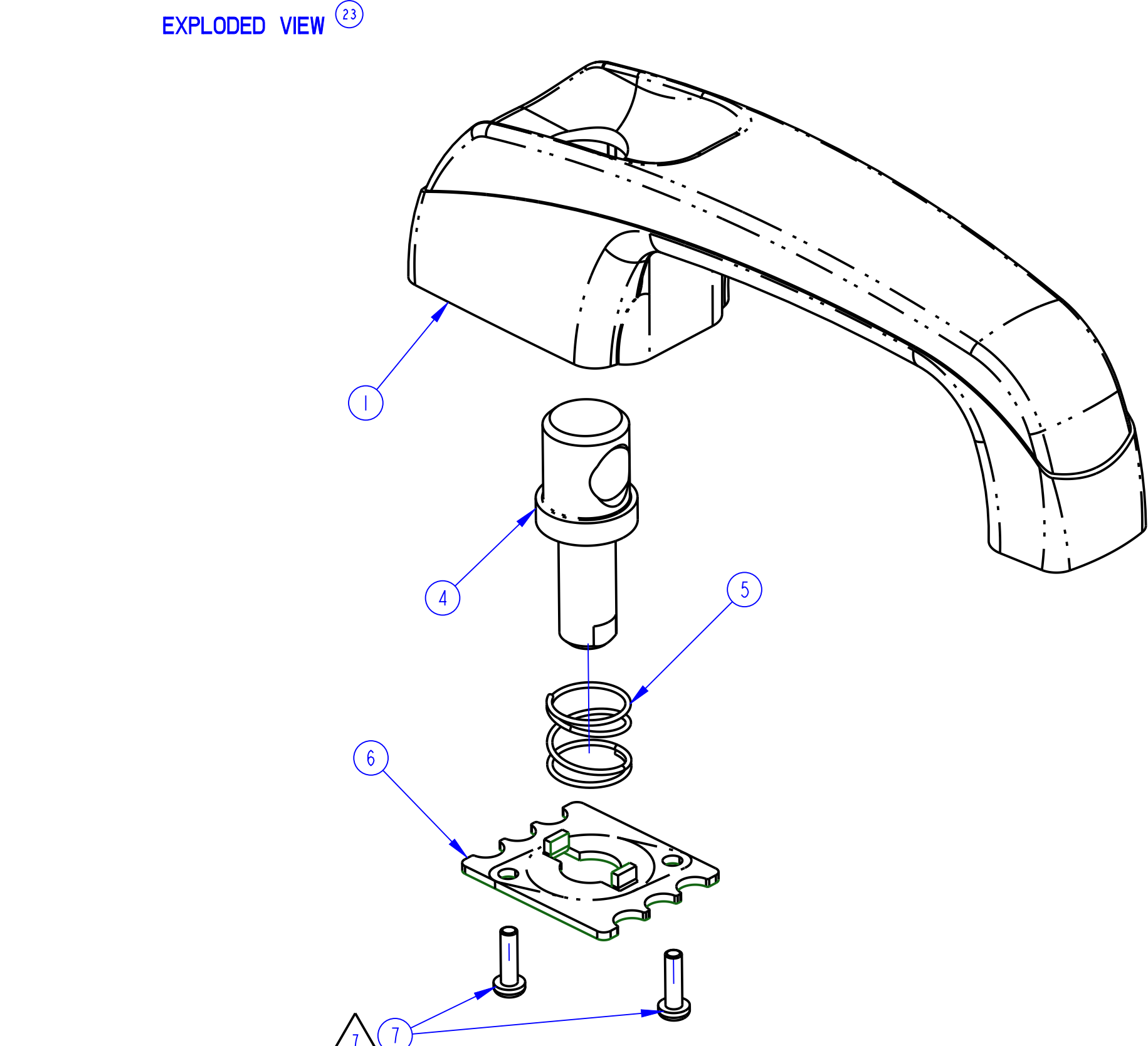
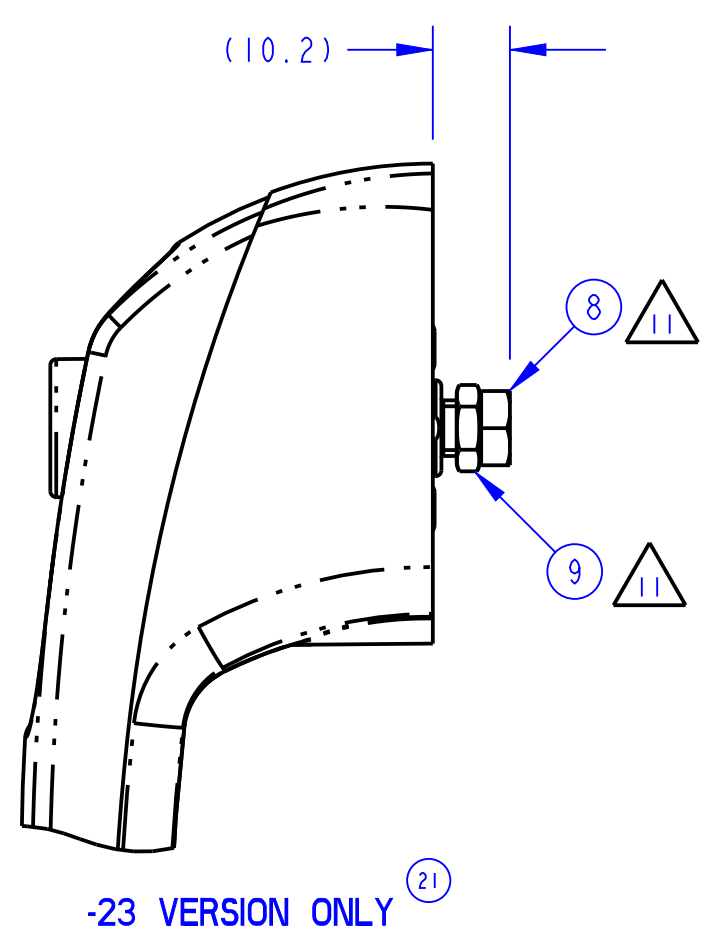
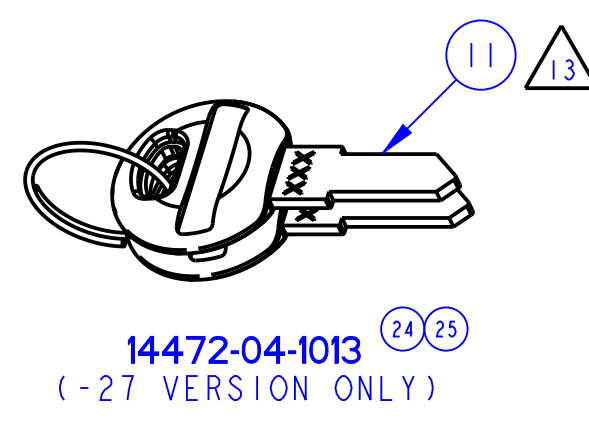
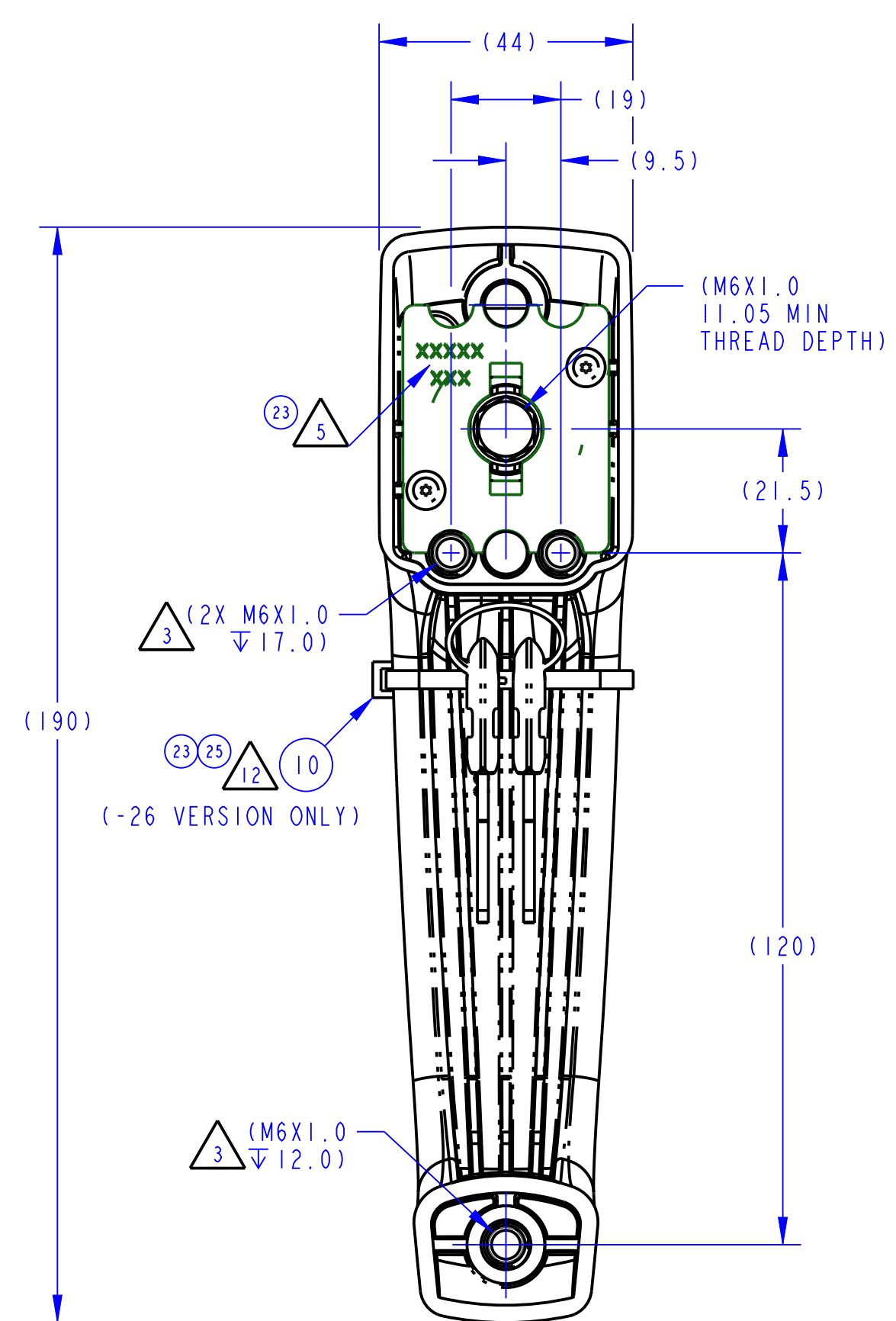
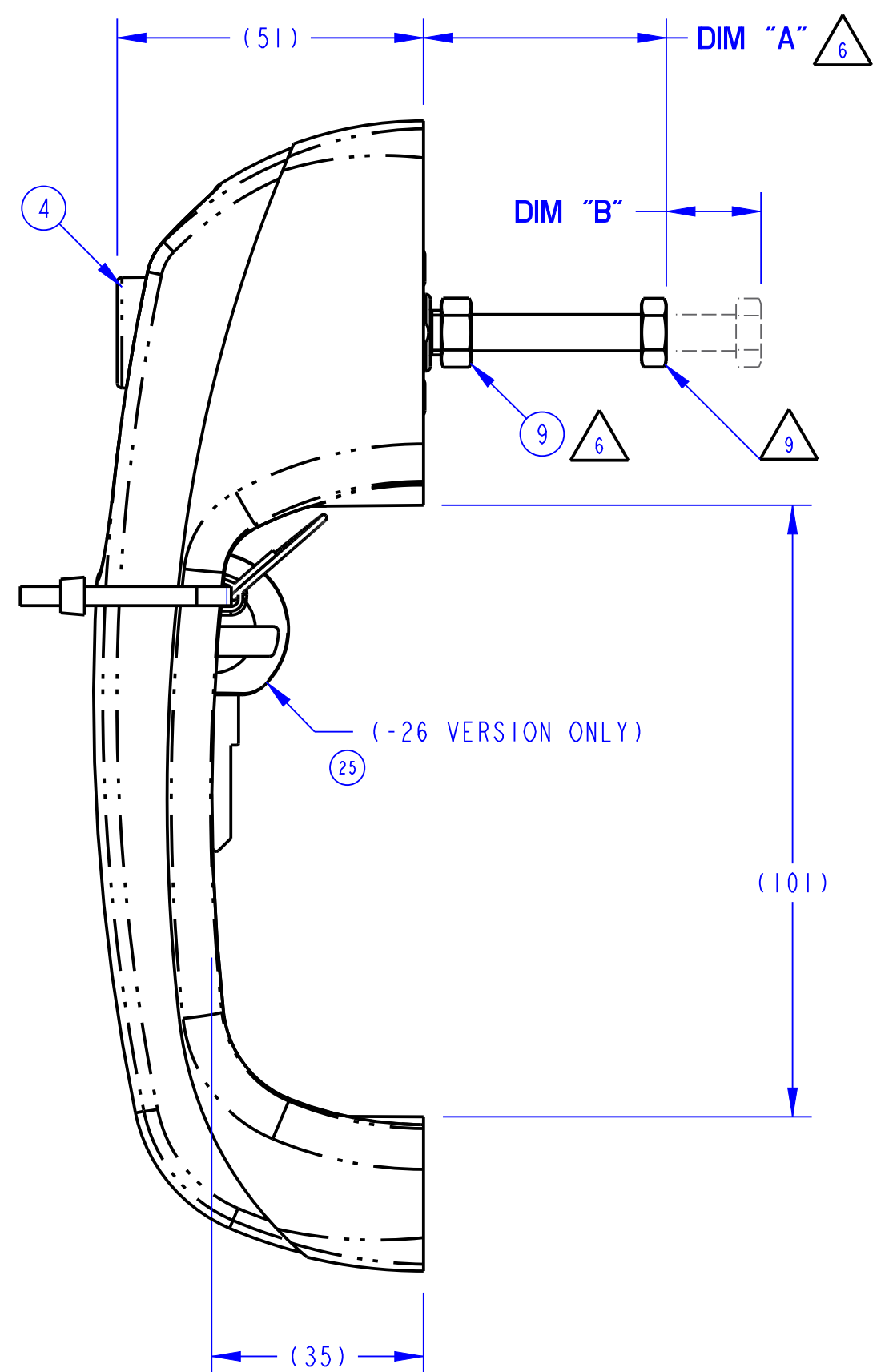
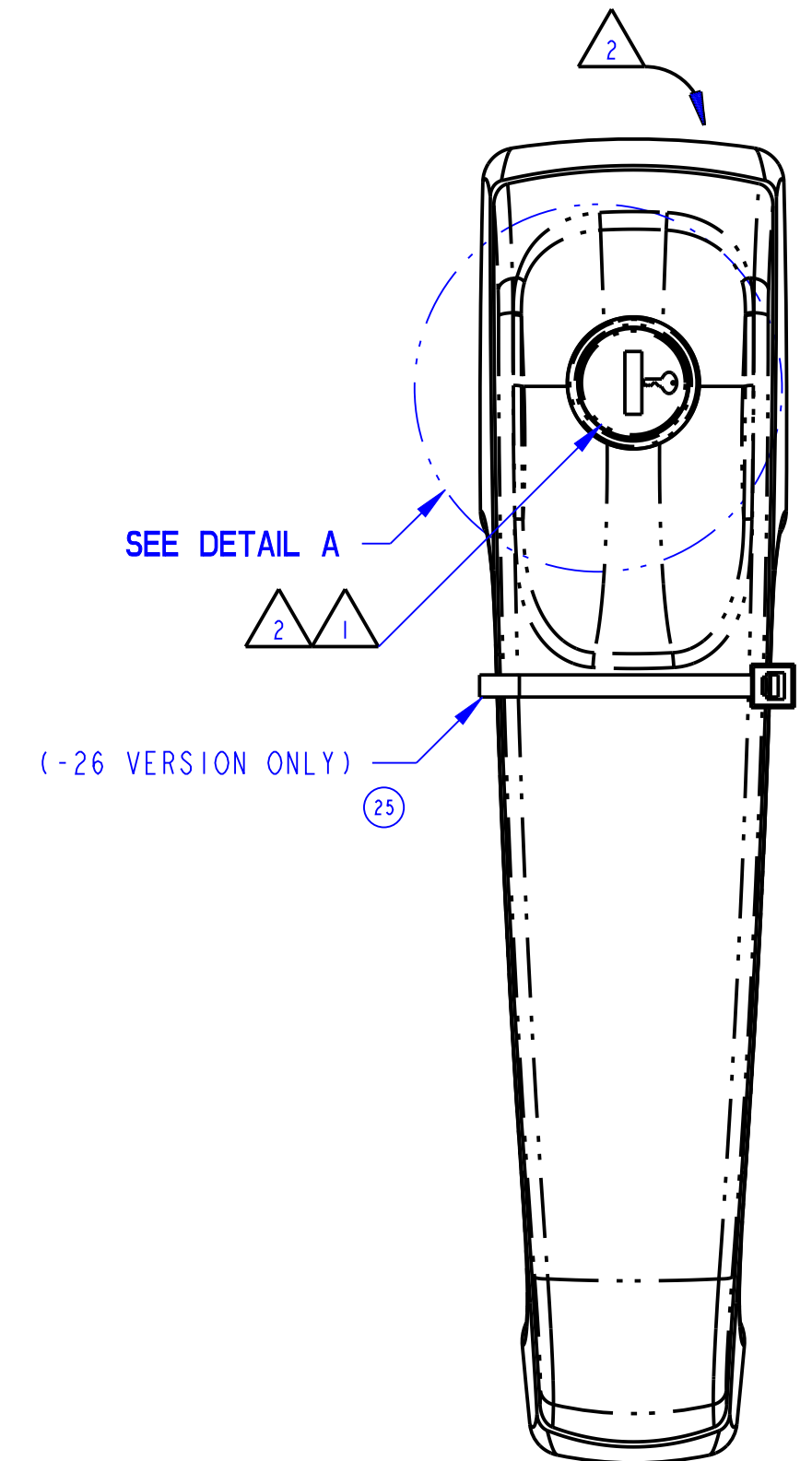


NOTE: SEE INSERTION SYMBOL COLUMN FOR SYMBOL APPLICATION



EXPLODED VIEW  
-14, -16 VERSIONS  
BOLT (ITEM 8) & NUT (ITEM 9)  
NOT SHOWN FOR -16 VERSION



REVISION	ECN	ECN BY	DESCRIPTION
21	37870	LPS p012-07-11	CHANGED -22 VERSION TO -23 VERSION, ADDED VERSION -25.
22	38036	RLO p012-07-11	ITEM 2 (LOCKCYLINDER); 29505-02 WAS 16287-12, 29505-03 WAS 16287-13, 29505-04 WAS 16287-15, 29505-09 WAS 16287-23, 29505-02 WAS 16287-12, 29505-05 WAS 16287-16, 29505-03 WAS 16287-13. UPDATED LOCK SCALP VIEW. ITEM 3; 80773 WAS 80773-00 (TO MATCH AS400). BOTTOM VIEW; REMOVED "1X" FROM DIMENSION.
23	38108	RLO p012-12-31	ADDED -26 VERSION, ITEM 10 (ZIP-TIE), NOTE 12. UPDATED VIEWS, PART MARK LOCATION.
24	38144	RLO p013-02-04	ADDED -27 VERSION, ITEM 11 (KEYS) COLUMN, KEY VIEW & NOTE 13. UPDATED DETAIL A (ADDED -27).
25	39588	RLO p017-01-11	-17 VERSION (ITEM 2); 29505-09, QTY 1 WAS QTY 3. KEY VIEW & NOTE 13; (ADDED -27 ONLY). EXPLODED VIEW; ADDED -12 ONLY TO BOLT (ITEM 8), BOM (ITEM 9); ADDED FLAGNOTE 6 TO -12, -16, -18, -19 & -20 VERSION. UPDATED KEY PLACEMENT & ZIPTIE LOCATION (-26 ONLY).
26	39656	RSS p017-01-11	ADDED -29 VERSION. MOVED BOM AND VERSION TABLE TO SHEET 2.

**METRIC**

INDICATES REQUIRED ASSEMBLY INFORMATION.  
 US: THE -00 VERSION SHALL BE THE UNFINISHED VERSION OF PART SHOWN.  
 US: ALL DIMENSIONS APPLY BEFORE COATING. (ASME Y14.5, sec. 2.4.13)

TOLERANCES UNLESS OTHERWISE SPECIFIED (US):		DRAWN BY	MJP	2003-03-18
ASME Y14.5M-1994		CHECKED BY	CJH	2003-03-18
INCH	MILLIMETER	PROJECT	02042	PRODUCT CODE
X.X = ±.1	X = ±.3			D07 (040-0600)
X.XX = ±.03	X.X = ±.08	CUSTOMER		
X.XXX = ±.010	X.XX = ±.25	CUSTOMER PART NUMBER		
ANGLES		DESCRIPTION		
X° = ±.3°		SEE TABLE ON SHEET 2		
X.X° = ±1.0°		PART WEIGHT	(0.27 KG)	SIZE
X.XX° = ±.50°		SURFACE AREA		SCALE
				1.0
				1/2
				SHEET
				19466
				PART NUMBER

TriMark  
 500 Bailey Avenue  
 P. O. Box 350  
 New Hampton, Iowa 50659 U.S.A.  
 Tel: 641-394-3188  
 Fax: 641-394-2392

This drawing and the information contained herein is the property of TriMark Corporation and shall not be used for any purpose without our written consent.

PART NUMBER	ITEM 1 HANDLE (QTY)	ITEM 2 LK CYL (QTY)	ITEM 3 O-RING (QTY)	ITEM 4 PUSH BUTTON (QTY)	ITEM 5 SPRING (QTY)	ITEM 6 LK PLATE (QTY)	ITEM 7 SCREW (QTY)	ITEM 8 BOLT (QTY)	ITEM 9 NUT (QTY)	ITEM 10 ZIP-TIE (QTY)	ITEM 11 KEYS (QTY)	ITEM 12 GASKET (QTY)	INSERTION SYMBOL	KEYS SUPPLIED Y/N (QTY)	DIM "A"	DIM "B" MINIMUM TRAVEL	PART MARKING
19466-01 040-0600,PB,120MM,3 HOLE, TA183,2 KEYS		16287-17 (1)											NO	YES (2)			
19466-02 040-0600,PB,120MM,3 HOLE, I4603,NO KEYS		29505-02 (1)											NO	NO			
19466-03 040-0600,PB,120MM,3 HOLE, D250,NO KEYS		29505-03 (1)											YES	NO			
19466-05 040-0600,PB,120MM,3 HOLE, TA001-TA010,2 KEYS		29505-04 (1)						N/A	N/A				NO	YES (2)	N/A	N/A	
19466-07 040-0600,PB,120MM,3 HOLE, CH751,2 KEYS		16287-18 (1)	80773 (1)	24887-01 (1)	80768-57 (1)									YES (2)			
19466-09 040-0600,PB,120MM,3 HOLE, 66,NO KEYS	19592-01 (1)	16287-20 (1)				19465-01 (1)	81789-15 (2)							YES			
19466-10 040-0600,PB,120MM,3 HOLE, CAT 5P8500,NO KEYS		16287-11 (1)												NO	40.1±8.5	15.65	
19466-12 040-0600,PB,120MM,3 HOLE, CAT 5P8500,NO KEYS,BLT		16287-03 (1)						20034-01 (1)	20035-01 (1)					NO			
19466-13 040-0600,PB,120MM,3 HOLE, AR51481,NO KEYS								N/A	N/A	N/A					N/A	N/A	
19466-14 040-0600,PB,120MM,3 HOLE, PADLOCK		N/A	N/A	24033-01 (1)	18127-01 (1)										16±2	15.65	19466
19466-16 040-0600,PB,120MM,3 HOLE, PADLOCK W/BLT								20755-01 (1)	20035-01 (1)								
19466-17 040-0600,PB,120MM,3 HOLE, TA001-TA100,2 KEYS	19592-01 (3)	29505-09 (1)	80773 (3)	24887-01 (3)	80768-57 (3)	19465-01 (3)	81789-15 (6)	N/A	N/A					YES (6)	N/A	N/A	
19466-18 040-0600,PB,120MM,3 HOLE, TA183,2 KEYS,BLT		16287-17 (1)						19918-01 (1)						NO	YES (2)	29.7±3	
19466-19 040-0600,PB,120MM,3 HOLE, I4603,NO KEYS,BLT		29505-02 (1)						20034-01 (1)	20035-01 (1)					NO	40.0±2.0	15.65	
19466-20 040-0600,PB,120MM,3 HOLE, CH751,2 KEYS,BLT		16287-18 (1)						19918-01 (1)						YES	YES (2)	29.7±3	
19466-21 040-0600,PB,120MM,3 HOLE, NO KEYS		29505-05 (1)						N/A	N/A					N/A	N/A	N/A	
19466-23 040-0600,PB,120MM,3 HOLE, D250,NO KEYS,BLT	19592-01 (1)	29505-03 (1)	80773 (1)	24887-01 (1)	80768-57 (1)	19465-01 (1)	81789-15 (2)	29053-01 (1)	17880-01 (1)					NO	10.2	15.65	
19466-25 040-0600,PB,120MM,3 HOLE, AR51481,NO KEYS,BLT		16287-03 (1)						32101-01 (1)	9214-19 (1)					YES	50.0±2.0		
19466-26 040-0600,PB,120MM,3 HOLE, CH751,2 KEYS		16287-18 (1)						N/A	N/A	17440-01 (1)					N/A	N/A	
19466-27 040-0600,PB,120MM,3 HOLE, AR51481,2 KEYS RUNG		16287-03 (1)						32101-01 (1)	9214-19 (1)	N/A	14472-04-1013 (1)			YES (2)	50.0±2.0	15.65	
19466-29 040-0600,PB,120MM,3 HOLE, TA183,2 KEYS, GASKET, KIT	19592-01 (1)	16287-17 (1)						N/A	N/A	N/A	N/A	19996-01 (1)	NO		N/A	N/A	

NOTES: UNLESS OTHERWISE SPECIFIED;

- 1 ASSEMBLY SHOWN AND SHIPPED IN UNLOCKED POSITION. SEE TABLE FOR INSERTION SYMBOL.
- 2 LOCKCYLINDER (ITEM 2) ROTATES 90° IN A CLOCKWISE DIRECTION TO LOCK PUSHBUTTON ASSEMBLY.
- 3 RECOMMENDED MOUNTING FASTENER TORQUE TO BE 5.6-6.7 Nm.
- 4. ALL DIMENSIONS EXCEPT WHERE NOTED ARE FOR CUSTOMER AND/OR ISIR PURPOSES.
- 5 STAMP LOCK PLATE (ITEM 6) WITH PART NUMBER AND DATE CODE PER ES-121. LOCATE APPROXIMATELY AS SHOWN.
- 6 ASSEMBLE NUT (ITEM 9) FINGER TIGHT FOR VERSION -12,-18,-19 & -20. TORQUE TO 87.6 IN-LBS MIN [9.9Nm] FOR VERSION -16.
- 7 TORQUE SCREWS (ITEM 7) TO 14.0±3 IN-LBS [1.6±0.3 Nm].
- 8 19466-17 TO BE KITTED/PACKAGED (3) KEYED ALIKE PER BAG WITH (2) KEYS SEALED IN THE CORNER OF THE BAG.
- 9 PUSHBUTTON (ITEM 4) TO BE FULLY DEPRESSED WHILE DRIVING BOLT (ITEM 8).
- 10 -12 ONLY - APPLY LOCTITE 2760 TO BOLT (ITEM 8).
- 11 -23 ONLY - INSTALL NUT (ITEM 9) ALL THE WAY ONTO SCREW (ITEM 8). INSTALL SCREW (ITEM 8) ALL THE WAY ONTO THE LOCKCYLINDER (ITEM 2). TORQUE 4Nm [30 IN-LB] MIN.
- 12 -26 ONLY - ATTACH KEYS TO HANDLE (ITEM 1) WITH ZIP-TIE (ITEM 10). PULL ZIP-TIE (ITEM 10) TIGHT AGAINST HANDLE (ITEM 1) TO PREVENT KEYS FROM SLIPPING OFF.
- 13 -27 AND -29 ONLY - SEAL KEY SET (ITEM 11) IN CORNER OF BAG.