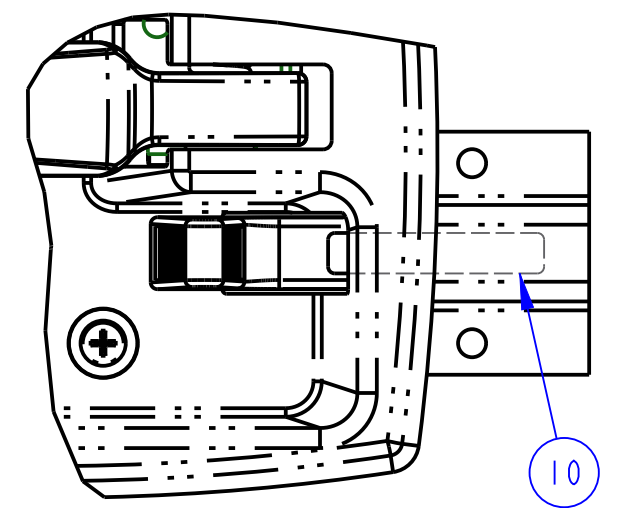
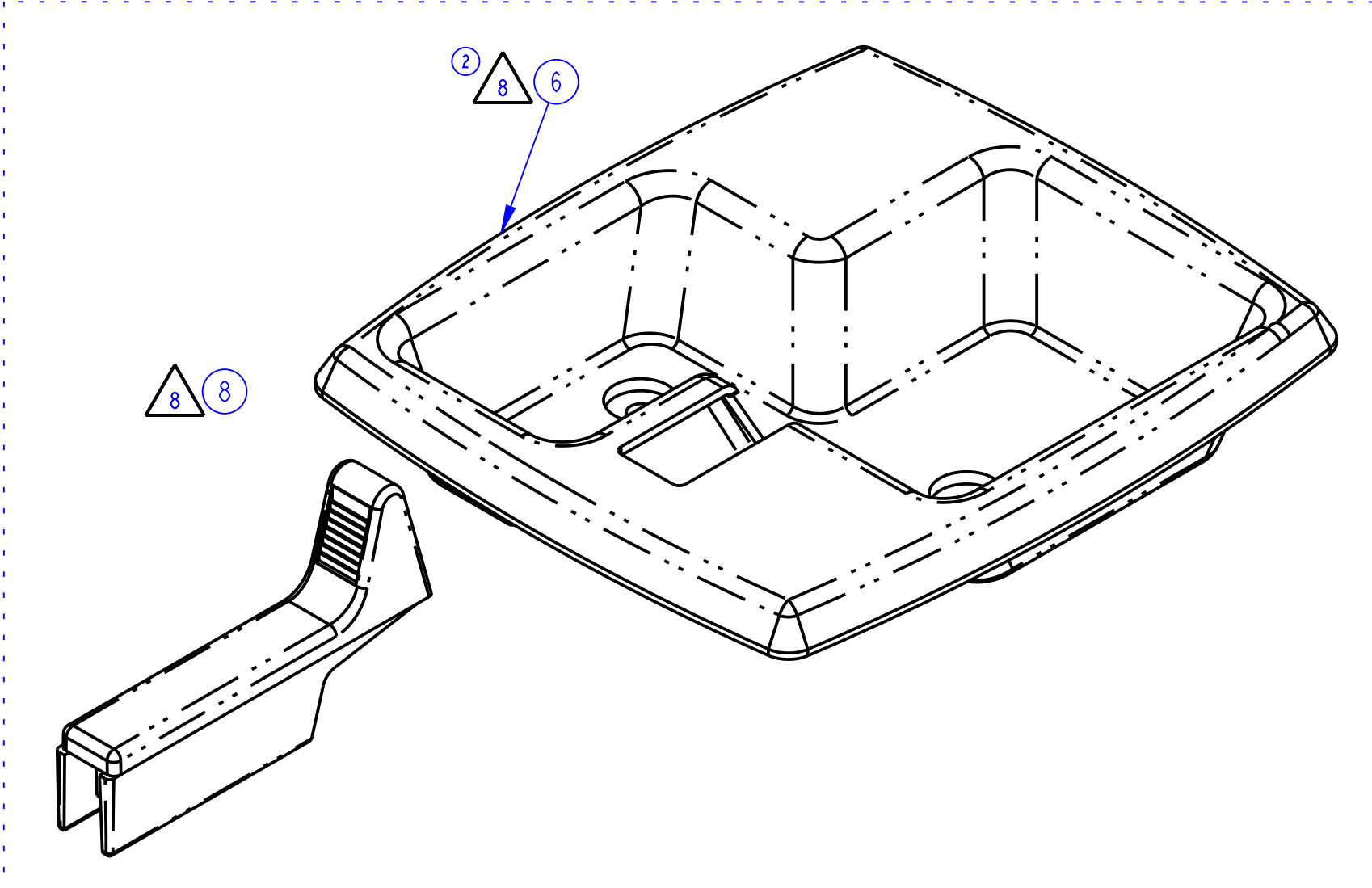


PART NUMBER DESCRIPTION	ITEM 1 HANDLE (QTY)	ITEM 2 RETAINER (QTY)	ITEM 3 RIVET (QTY)	ITEM 4 SPRING (QTY)	ITEM 5 WASHER (QTY)	ITEM 6 BEZEL (QTY)	ITEM 7 SCREW (QTY)	ITEM 8 LEVER (QTY)	ITEM 9 BRACKET (QTY)	ITEM 10 LABEL (QTY)	ITEM 11 LABEL (QTY)	FINISH	PART MARKING
21431-01 030-1425,LGB,RH, INSBZL,MNLLK						21429-01 (1)					N/A		
21431-02 030-1425,LGB,RH, INSBZL,MNLLK,LABEL						21429-02 (1)	80986-40 (2) (8-18X.625)	80978-01 (1)	11294-16 (1)	N/A	17270-01 (1)		
21431-03 030-1425,LGB,RH, INSBZL,MNLLK,LK LABEL	21427-01 (1)					22045-01 (1)				81156-00 (1)		HDL - PAINT, BLACK, LOW GLOSS BZL - PAINT, BLACK, LOW GLOSS	
21431-04 030-1425,LGB,RH, INSBZL,MNLLK,CUTOUT													
21431-05 030-1425,LGB,RH, LVR,RLSE													
21431-06 030-1425,CNC,RH, LVR,RLSE												HDL-PLATE,COPPER-NICKEL-CHROME (CAST, TRIM, AND BUFF)	
21431-07 030-1425,CNC/LGB,RH, INSBZL,MNLLK,LK LABEL		11293-16 (1)	80984-15 (1)	22527-01 (1)	80985-00 (1)	21429-02 (1)				81156-00 (1)		HDL-PLATE,COPPER-NICKEL-CHROME BZL-PAINT, BLACK, LOW GLOSS	21431
21431-08 030-1425,CNC/LGB,RH, INSBZL,MNLLK	21427-03 (1)					21429-01 (1)							
21431-09 030-1425,CNC,BL MR, RH,INSBZL,MNLLK						22045-02 (1)						HDL-PLATE,COPPER-NICKEL-CHROME BZL-PAINT, BLACK, MIRROR	
21431-10 030-1425,CNC,BL MR, RH,INSBZL,MNLLK						21429-03 (1)	80986-40 (2) (8-18X.625)	80978-05 (1)	11294-16 (1)				
21431-11 030-1425,CNC/LGB,RH, INSBZL,MNLLK	27836-01 (1)					21429-01 (1)						HDL-PLATE,COPPER-NICKEL-CHROME (CAST, TRIM, AND BUFF) BZL-PAINT,LGB	
21431-12 030-1425,CNC/LGB,RH, INSBZL,MNLLK						22045-01 (1)							
21431-13 030-1425,CNC/LGB,RH, INSBZL,MNLLK	25971-01 (1)					21429-02 (1)				81156-00 (1)		HDL-PLATE,COPPER-NICKEL-CHROME BZL-PAINT, BLACK, LOW GLOSS	

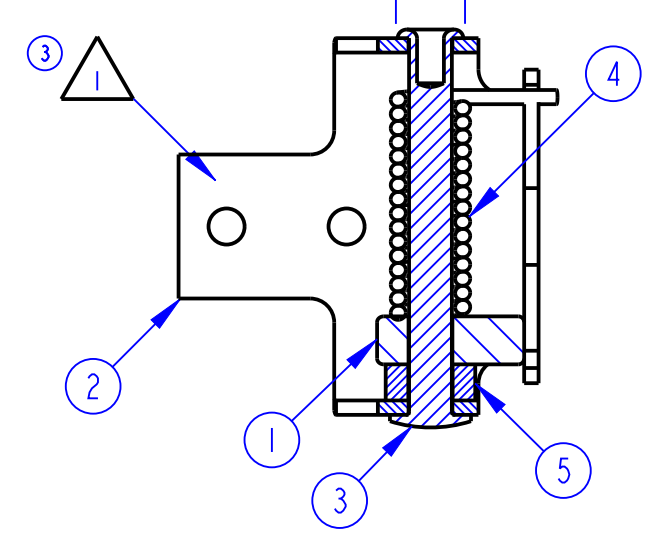


21431-03, -07, & -13

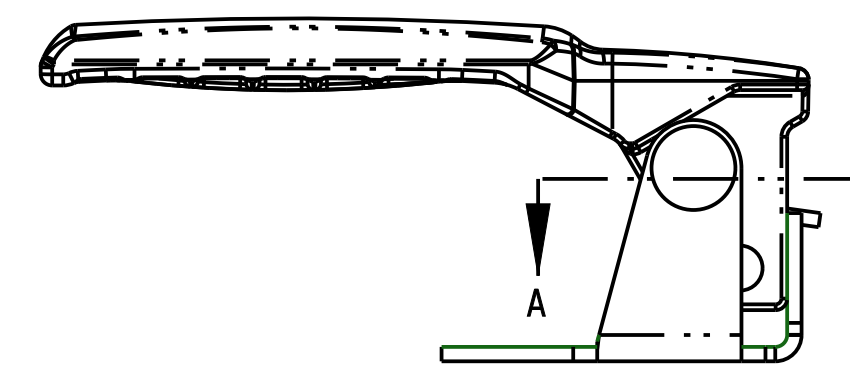


REVISION	ECN	ECN BY	DESCRIPTION
0	RLSE	BJP/PAPE 9/15/06	ADDED NOTES 6, 7, AND 8; REVISED ISO VIEW; RELEASED FOR PRODUCTION
1	05081	ASP 04/02/07	ADDED: VERSIONS -09 AND -10, D SIZE WAS C SIZE, 1.0 WAS .75
2	06341	RLD 9-28-07	UPDATED VIEWS; BEZEL (ITEM 6), SURFACE AREA.
3	23302	RLD 9-17-09	ADDED -11 VERSION, PART MARKING COLUMN, UPDATED FINISH SECTION A-A, PART MARK, REMOVED SURFACE AREA, SCREW (ITEM 7) WAS BRACKET (ITEM 9).
4	30884	JSM 6/17/10	ADDED -12 VERSION, ADDED 21431-12 VIEW, REVISED VIEW LOCATIONS, UPDATE PART NUMBER, REVISED FINISH
5	31624	JSM 6/17/10	ADDED -13 VERSION, REVISED VIEW

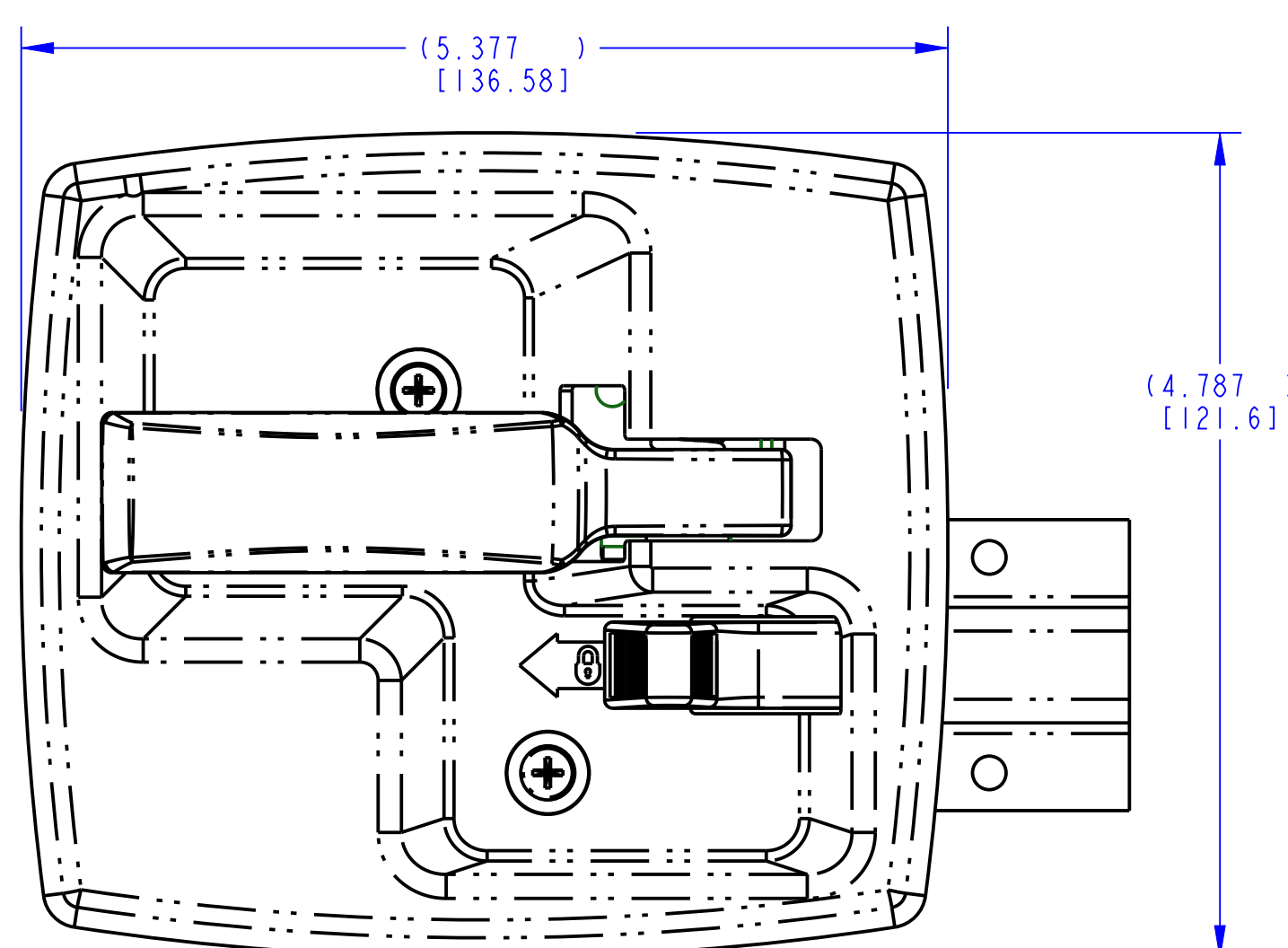
STAKE TO \varnothing .350 - .370
[8.89-9.39]



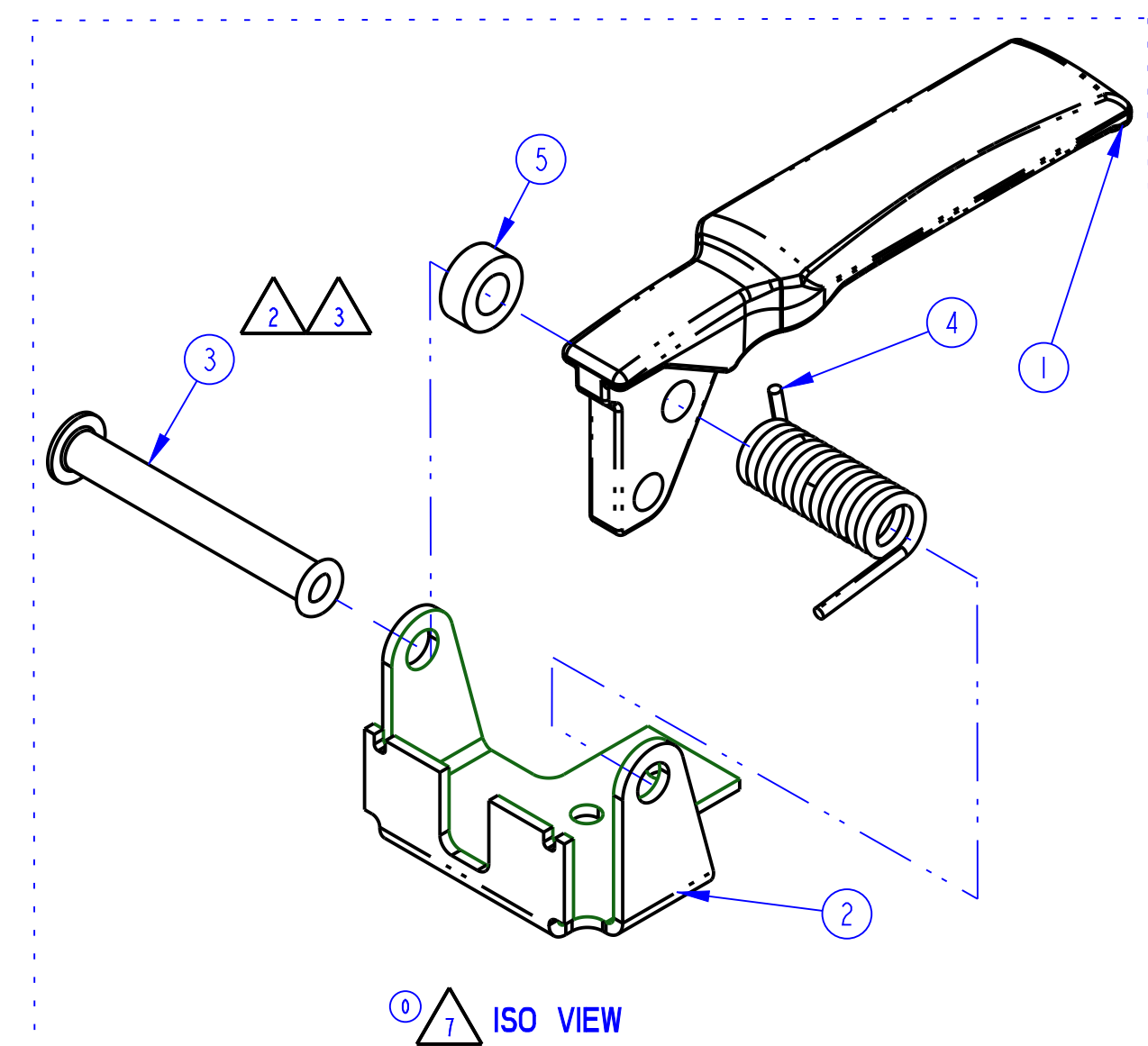
SECTION A-A



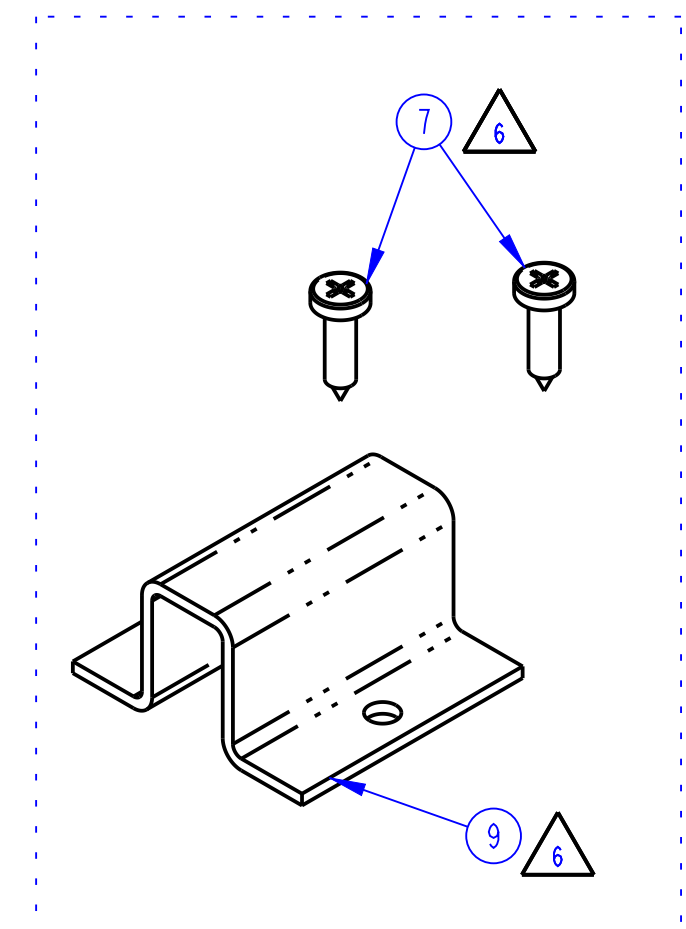
BEZEL (ITEM 6), LEVER (ITEM 8),
SCREWS (ITEM 7) AND LABELS (ITEM 10 & 11)
OMITTED FOR CLARITY



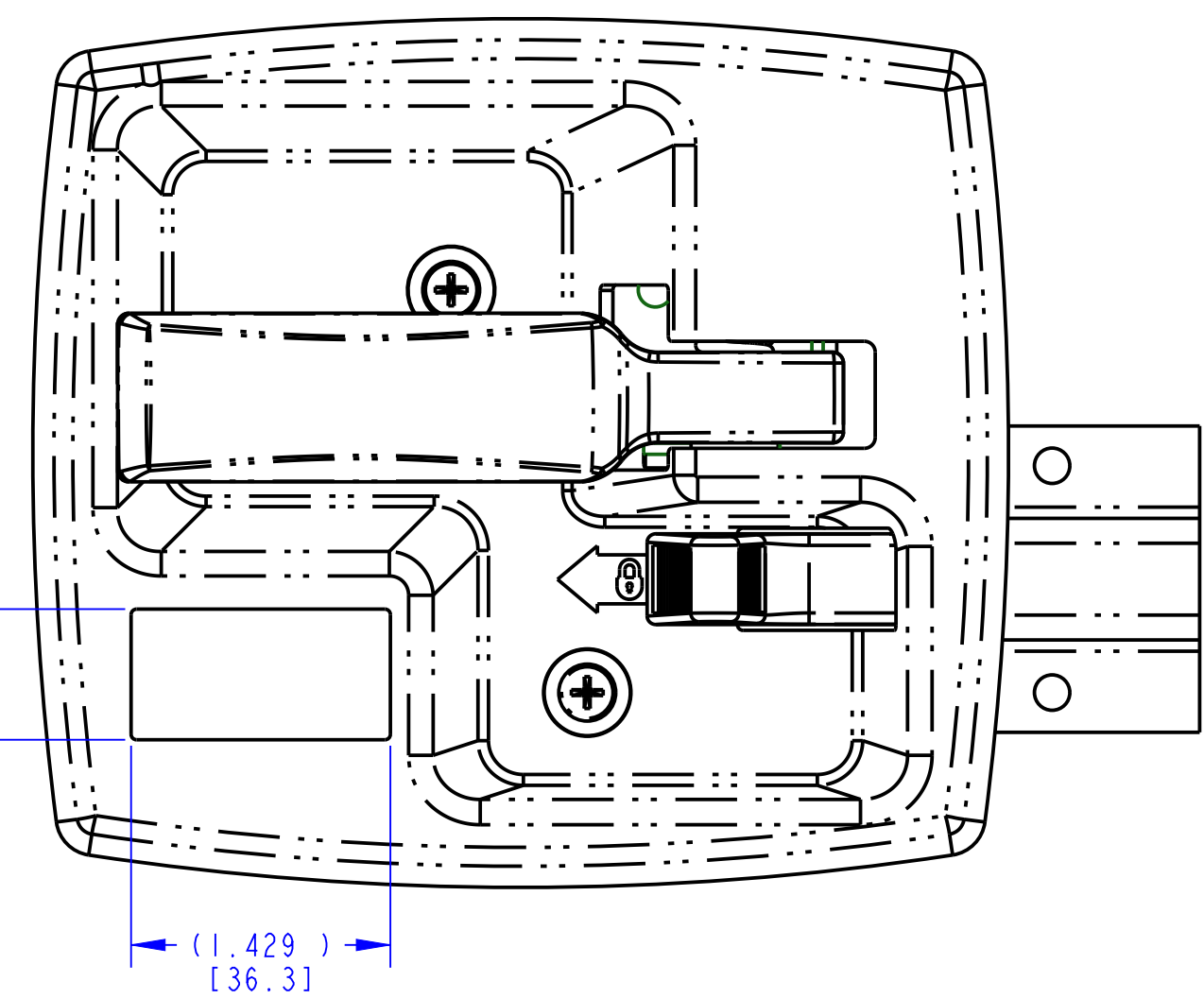
21431-01 & -08



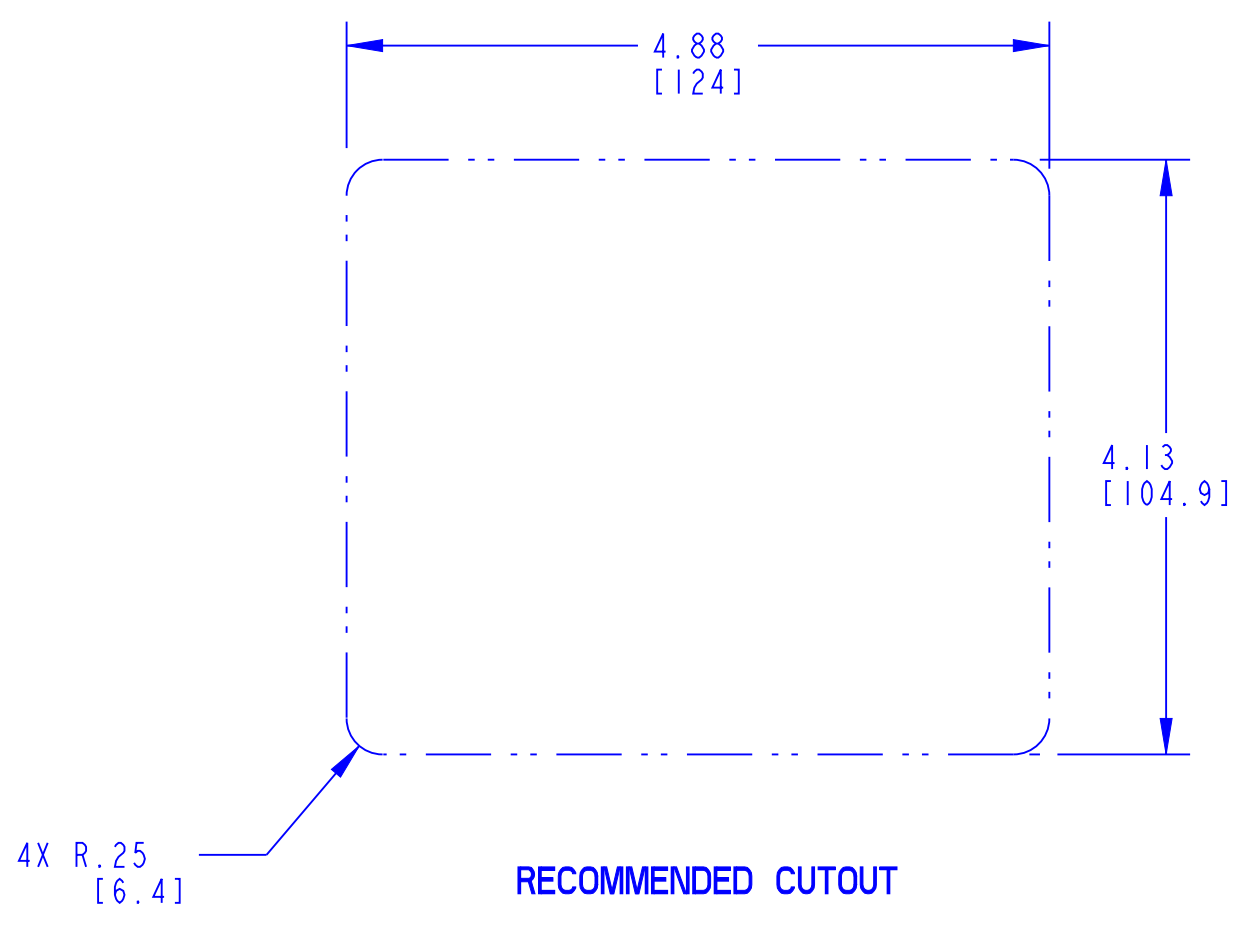
ISO VIEW



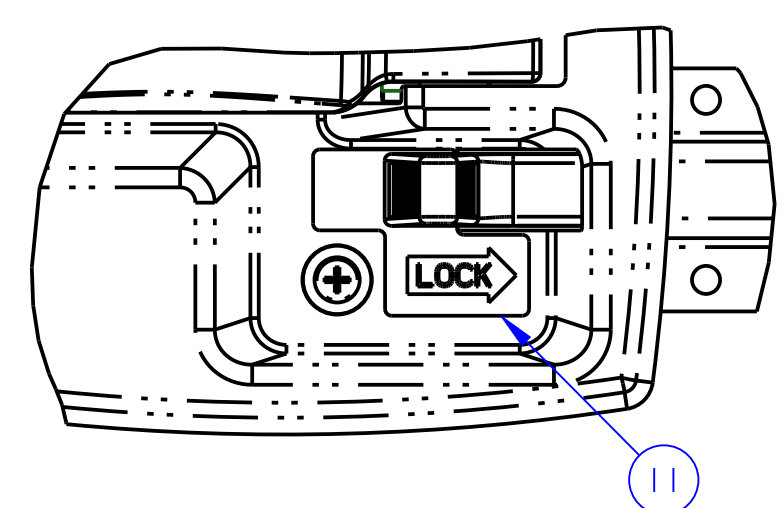
21431-02



21431-04 & -12



RECOMMENDED CUTOUT



- NOTES: UNLESS OTHERWISE SPECIFIED;
- 1 STAMP RETAINER (ITEM 2) WITH PART NUMBER AND DATE CODE PER ES-121. LOCATE APPROXIMATELY AS SHOWN.
 - 2 APPLY ALPHA 2000 TO \varnothing .250 OF RIVET (ITEM 3) BEFORE ASSEMBLY.
 - 3 RIVET (ITEM 3) MAY BE INSTALLED FROM EITHER SIDE OF RETAINER (ITEM 2).
 - 4 FINISH IS FOR REFERENCE ONLY.
 - 5 STAKE END OF RIVET (ITEM 3); AVOID EXCESSIVE STAKING FORCE RESULTING IN EXCESSIVE DEFORMATION OF RETAINER (ITEM 2).
 - 6 SEAL SCREWS (ITEM 7) AND BRACKET (ITEM 9) IN CORNER OF BAG.
 - 7 SEAL HANDLE ASSEMBLY IN BOTTOM OF BAG.
 - 8 SEAL BEZEL (ITEM 6) AND LEVER (ITEM 8) TOGETHER IN TOP OF BAG.

<p>INDICATES REQUIRED ASSEMBLY INFORMATION. UNLESS OTHERWISE SPECIFIED (UNLESS OTHERWISE SPECIFIED UNLESS OTHERWISE SPECIFIED UNLESS OTHERWISE SPECIFIED) UNLESS OTHERWISE SPECIFIED (UNLESS OTHERWISE SPECIFIED UNLESS OTHERWISE SPECIFIED UNLESS OTHERWISE SPECIFIED) UNLESS OTHERWISE SPECIFIED (UNLESS OTHERWISE SPECIFIED UNLESS OTHERWISE SPECIFIED UNLESS OTHERWISE SPECIFIED)</p>		<p>ASME Y14.5M-1994 INCH MILLIMETER X.X \pm.1 X \pm.3 X.XX \pm.03 X.X \pm.8 X.XXX \pm.010 X.XX \pm.25</p>		<p>500 Bailey Avenue P. O. Box 350 New Hampton, Iowa 50659 U.S.A. Tel: 641-394-3188 Fax: 641-394-2392</p>	
<p>DO NOT SCALE DRAWING</p>		<p>DRAWN BY TJZ 5/6/05</p>		<p>TriMark</p>	
<p>REF. T/M OP 4.20-2 FOR SUP. QUALITY REQ. REF. T/M OP 4.20-3 FOR INT. QUALITY REQ.</p>		<p>CHECKED BY</p>		<p>PROJECT 03086 PRODUCT CODE C32 (030-1425)</p>	
<p>PART WEIGHT (1.08 LB)</p>		<p>SURFACE AREA (2.3)</p>		<p>CUSTOMER PART NUMBER</p>	
<p>SCALE 1.0</p>		<p>SIZE D</p>		<p>DESCRIPTION SEE BOM</p>	
<p>PART NUMBER 21431</p>		<p>DESCRIPTION</p>		<p>SEE BOM</p>	