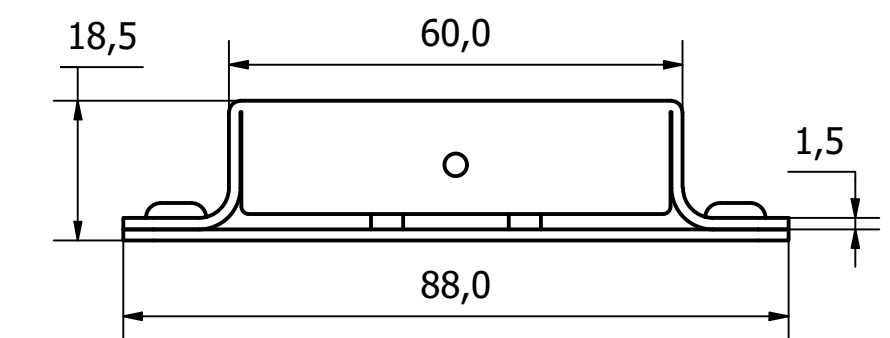
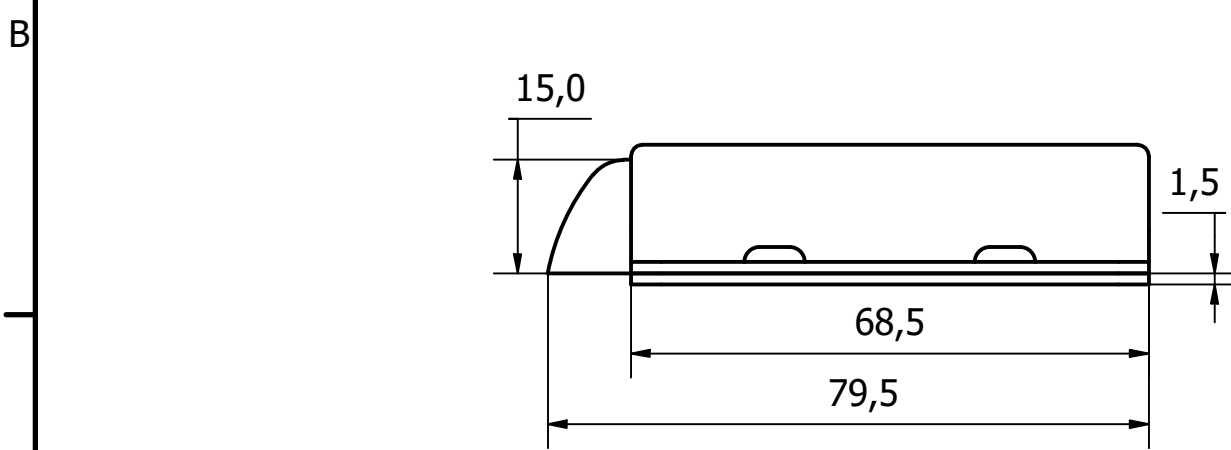
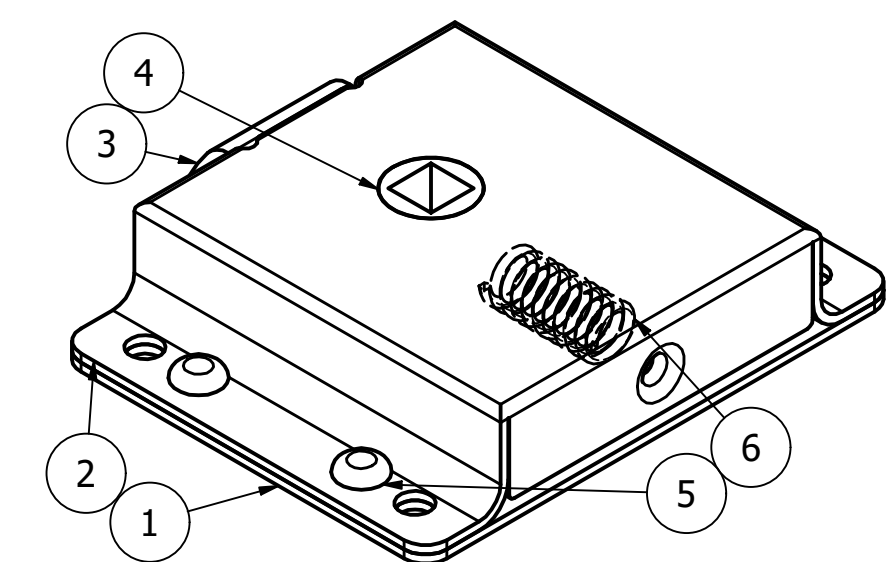


| PARTS LIST | | | |
|------------|-----|-------------|----------------------------------------|
| ITEM | QTY | PART NUMBER | DESCRIPTION |
| 1 | 1 | 9800-2056-1 | M/STEEL BASE PLATE - ZINC PLATED |
| 2 | 1 | 9800-2056-2 | M/STEEL BASE COVER PLATE - ZINC PLATED |
| 3 | 1 | 9800-2056-3 | ZINC DIE-CAST TONGUE |
| 4 | 1 | 9800-2056-4 | M/STEEL SQUARE DRIVE - ZINC PLATED |
| 5 | 4 | 9800-2056-5 | M/STEEL RIVETS - ZINC PLATED |
| 6 | 1 | 9800-2056-6 | M/STEEL SPRING - ZINC PLATED |



| | | | |
|-----|---------------------|----------|----------|
| 1 | VALIDATION COMPLETE | 22/07/19 | A.P |
| REV | DESCRIPTION | DATE | APPROVED |

| GENERAL TOLERANCES ON LENGTHS |
|-------------------------------|
| 0.5 - 6 ± 0.1mm |
| 6 - 30 ± 0.2mm |
| 30 - 120 ± 0.3mm |
| 120 - 400 ± 0.5mm |
| 400 - 1000 ± 0.8mm |
| 1000 - 2000 ± 1.2mm |
| 2000 - 4000 ± 2.0mm |

ALBERT JAGGER LTD
 GREEN LANE
 WALSALL PHONE: 01922 471000
 WEST MIDLANDS FAX: 01922 648021
 WS2 8HG

THIS DRAWING & THE DESIGN SHOWN ARE THE PROPERTY OF ALBERT JAGGER LTD AND MUST NOT BE USED OR COPIED BY A THIRD PARTY WITHOUT PERMISSION

| | | | | | | | | |
|-----------------|-------------------|--------------|-------------------------|------------------|-----------------------|--------------------|-------------------------------------------|----|
| DRAWN BY A.S | CHECKED BY A.P | SCALE 1:1 | MATERIAL SEE DRAWING | MASS 0.215 kg | FINISH SEE DRAWING | Date 08/07/2019 | ALL DIMS IN MM UNLESS STATED DO NOT SCALE | A3 |
| | | | | | | | SLAM LOCK - NO HANDLE | |
| | | | | | | | 9800-2056 | |