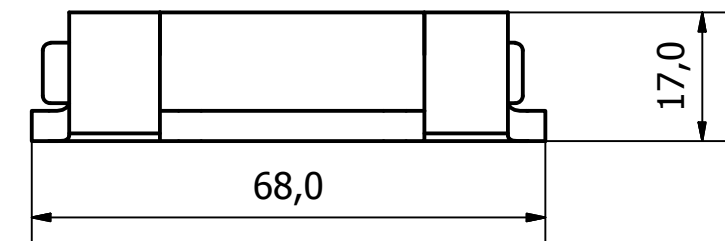
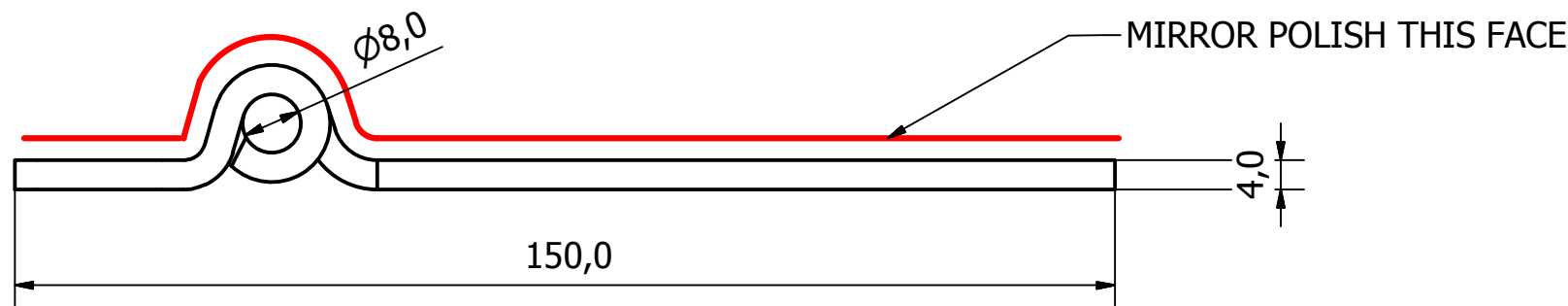
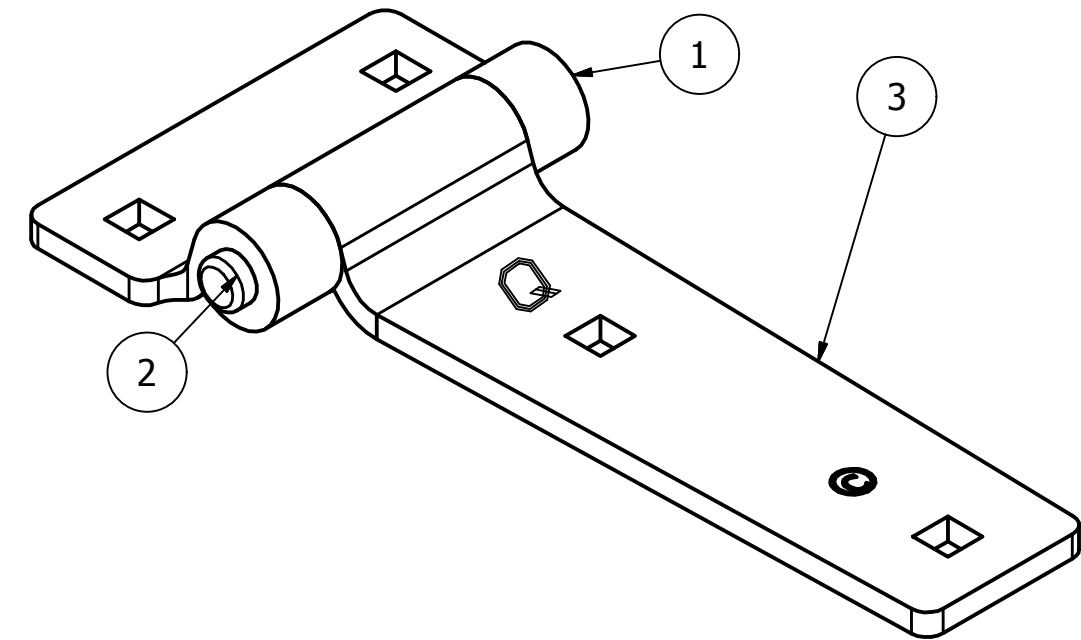
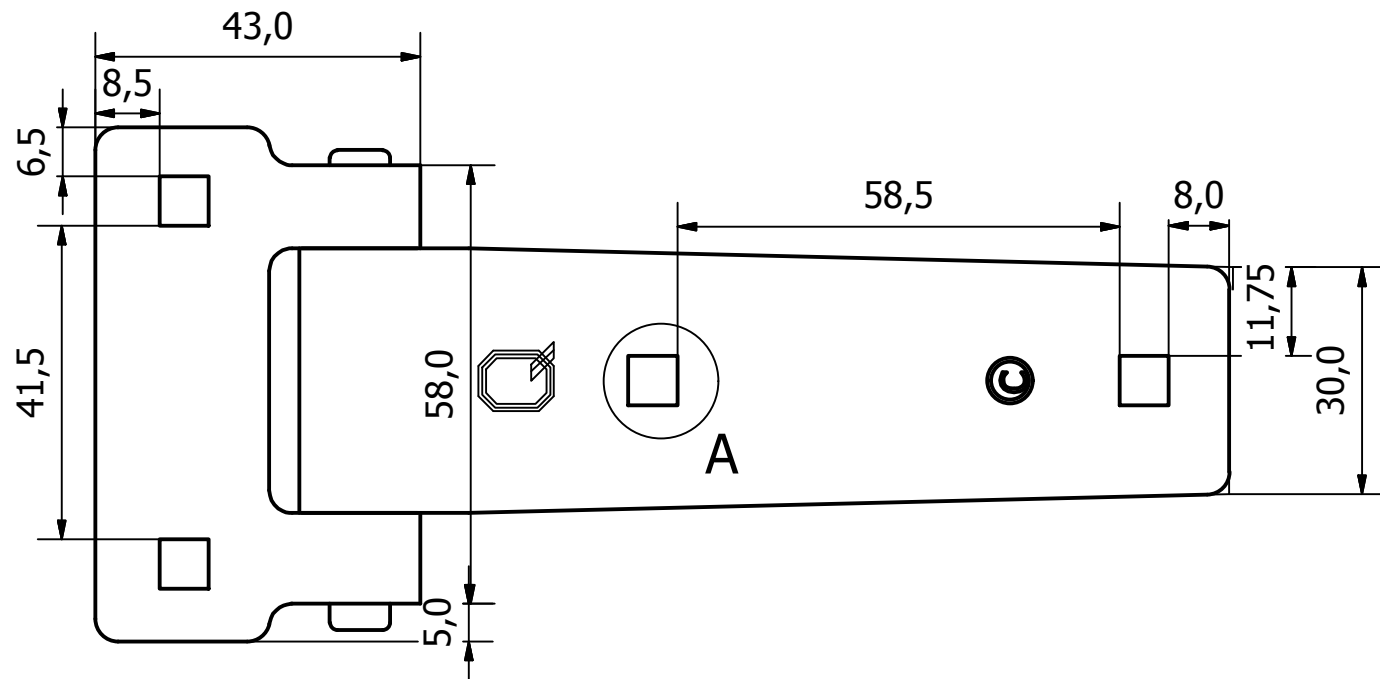


PARTS LIST			
ITEM	QTY	PART NUMBER	DESCRIPTION
1	1	9820-1153-1	HINGE BASE PLATE
2	1	9820-1153-2	HINGE PIN
3	1	9820-1153-3	HINGE MAIN PLATE

DETAIL A (2 : 1)
TYP 4 PLACES



NOTE:

HINGE DESIGN SPECIFICALLY FOR 180° APPLICATIONS
BUT WILL ROTATE THROUGH TO 270°

GENERAL TOLERANCES ON LENGTHS
0.5 - 6 ± 0.1mm
6 - 30 ± 0.2mm
30 - 120 ± 0.3mm
120 - 400 ± 0.5mm
400 - 1000 ± 0.8mm
1000 - 1200 ± 1.2mm
2000 - 4000 ± 2.0mm

ALBERT JAGGER LTD
GREEN LANE
WALSALL PHONE: 01922 471000
WEST MIDLANDS FAX: 01922 648021
WS2 8HG

THIS DRAWING & THE DESIGN SHOWN
ARE THE PROPERTY OF ALBERT JAGGER LTD
AND MUST NOT BE USED OR COPIED BY A
THIRD PARTY WITHOUT PERMISSION

DRAWN BY
U.F

CHECKED BY
A.P

THIRD ANGLE PROJECTION

SCALE
1 : 1

MATERIAL
-

MASS
0.257 kg

FINISH
SEE NOTE

Date
20/09/2016

ALL DIMS IN MM
UNLESS STATED
DO NOT SCALE

A3

1	VALIDATION COMPLETE	19/10/16	A.P
REV	DESCRIPTION	DATE	APPROVED
SS HINGE - 8MM PIN SQUARE HOLES			
9820-1153		Edition 1	Sheet 1 / 1

