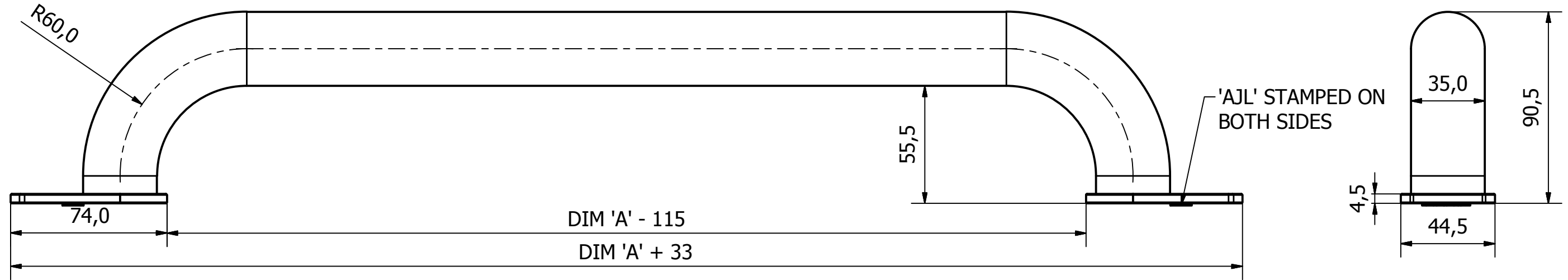
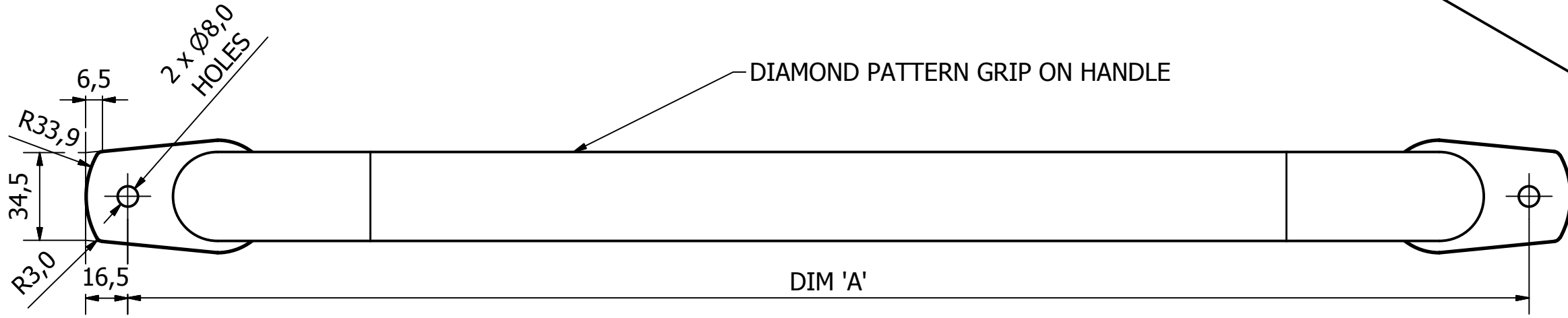
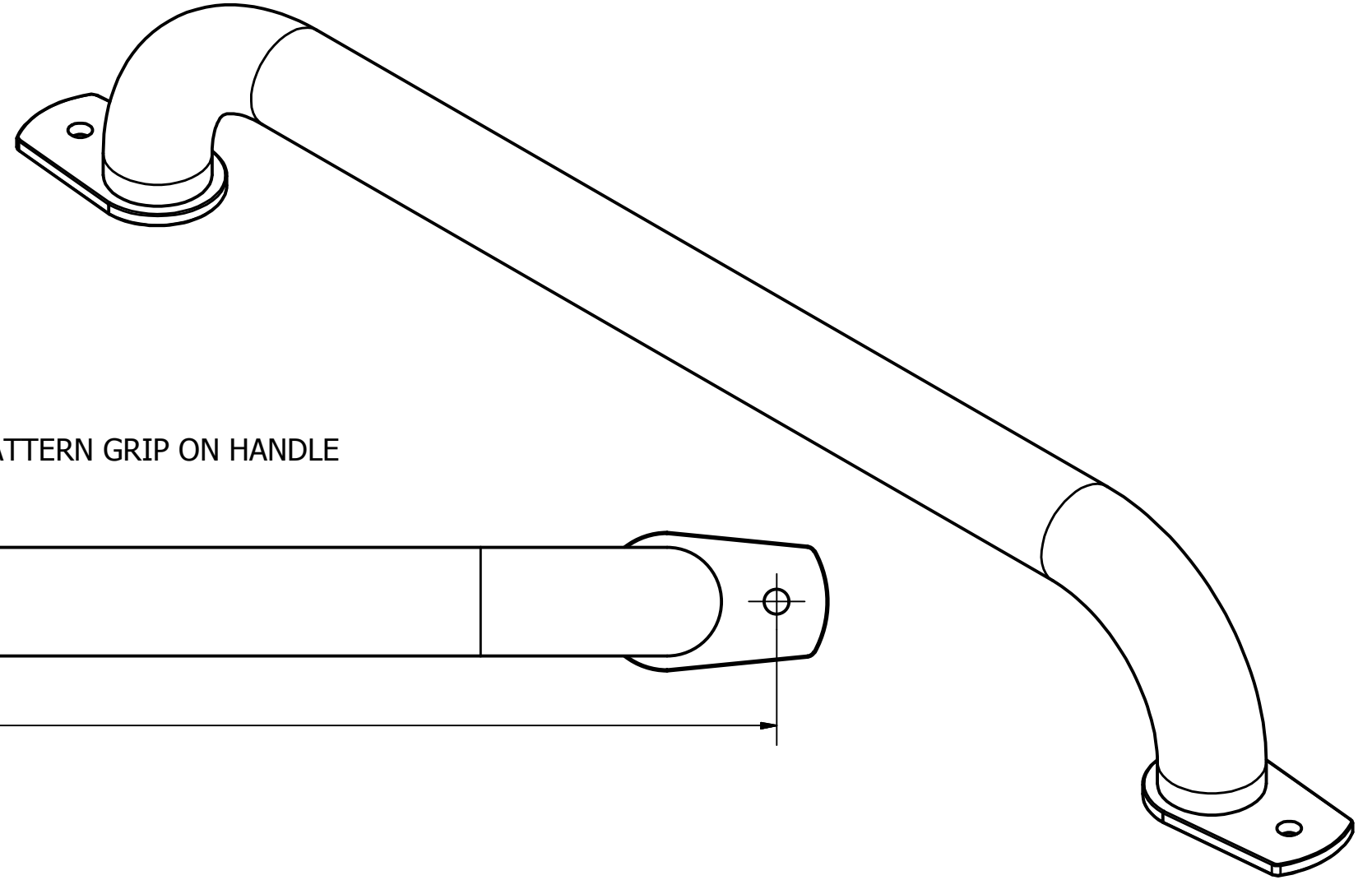


PART No	DIM 'A'
9911/0250	250
9911/0340	340
9911/0550	550
9911/0720	720



NOTE:
FINISH - POWDER COAT YELLOW RAL 1023

2	PART NUMBER ASSIGNED. STAMPED FEATURE ADDED	09/03/2017	U.F
1	VALIDATION COMPLETE	26/01/2017	A.P
REV	DESCRIPTION	DATE	APPROVED

GENERAL TOLERANCES ON LENGTHS	
0.5 - 6 ± 0.1mm	
6 - 30 ± 0.2mm	
30 - 120 ± 0.3mm	
120 - 400 ± 0.5mm	
400 - 1000 ± 0.8mm	
1000 - 1200 ± 1.2mm	
2000 - 4000 ± 2.0mm	

ALBERT JAGGER LTD
GREEN LANE
WALSALL PHONE: 01922 471000
WEST MIDLANDS FAX: 01922 648021
WS2 8HG

THIS DRAWING & THE DESIGN SHOWN ARE THE PROPERTY OF ALBERT JAGGER LTD AND MUST NOT BE USED OR COPIED BY A THIRD PARTY WITHOUT PERMISSION

DRAWN BY U.F	CHECKED BY A.P	SCALE 1 : 2	MATERIAL Steel	MASS 1.483 kg	FINISH SEE NOTE	Date 26/01/2017	ALL DIMS IN MM UNLESS STATED DO NOT SCALE	A3
						YELLOW STEEL GRAB HANDLE - XXX CRS		
						9911-0550	Edition 2	Sheet 1 / 1